

LEADER IN SPARE PARTS SECTOR FOR INDUSTRIAL VEHICLES SINCE 1969.



Established in 1969, C.E.I. Costruzione Emiliana Ingranaggi S.p.A has set its headquarters in Anzola dell'Emilia (province of Bologna) in Emilia Romagna region, symbol of "Made in Italy" mechanics tradition.

The initial product range consisting exclusively of gears for gearboxes and differentials, has been through the years widened introducing spare parts for steering and braking system, suspensions and engine.

DAL 1969 LEADER NEL SETTORE DELLA RICAMBISTICA PER VEICOLI INDUSTRIALI.



Fondata nel 1969, C.E.I. Costruzione Emiliana Ingranaggi S.p.A ha sede ad Anzola dell'Emilia in provincia di Bologna, nell'Emilia Romagna regione simbolo della tradizione meccanica "Made in Italy".

Dopo un inizio improntato esclusivamente sulla costruzione di ingranaggi per cambi e differenziali, CEI ha allargato la propria gamma introducendo parti di ricambio per i principali gruppi funzionali dell'autocarro come impianto sterzante e frenante, sospensioni e motore.

DEPUIS 1969 LEADER SUR LE MARCHÉ DES PIÈCES DE RECHANGE POUR LES VÉHICULES INDUSTRIELS.



Fondée en 1969, C.E.I. Costruzione Emiliana Ingranaggi S.p.A a son siège social à Anzola dell'Emilia, proche de Bologne, dans la région de Emilia Romagna symbole du savoir-faire "Made in Italy" pour la mécanique.

Après un début d'activité consacré exclusivement à la fabrication d'engrenages pour les boîtes de vitesses et les ponts, CEI a étendu sa gamme aux pièces de rechange pour les organes aux poids lourds, comme les éléments de direction, de freinage, de suspension et de motorisation.

DESDE 1969 LÍDER EN EL SECTOR DE LOS RECAMBIOS PARA VEHÍCULOS INDUSTRIALES.



Fundada en 1969, C.E.I. Costruzione Emiliana Ingranaggi S.p.A es ubicada en Anzola dell'Emilia, en el territorio de la ciudad de Bolonia, en Emilia Romagna, región símbolo de la tradición mecánica "Made in Italy".

Tras empezar con la producción exclusiva de engranajes para cambios y diferenciales, CEI ha ampliado su propia gama, introduciendo partes de recambio para los más importantes grupos funcionales del camión, como equipo de dirección y de frenos, suspensiones y motor.

More than
[45 YEARS]
Together



Spare Parts for Trucks and Buses:

Iveco, Daf, Mercedes, Man, Renault, Scania, Volvo, Zf, Eaton, Fuller, Astra, Bredabus, Setra, Bpw, Meritor, Saf, Nissan, Isuzu, Neoplan, Mitsubishi, Ford, Schmitz, EvoBus, Leyland



MOST ADVANCED TECHNOLOGY SINCE MORE THAN 45 YEARS!

The employ of the same production checking processes as the original manufacturers, guarantees our product the same quality standards.

Guaranteed quality in every production phase

The employ of coordinate measuring machines, metallographic laboratory tests, coupling and assembly checks ensure the highest quality standards.



DA OLTRE 45 ANNI UNA TECNOLOGIA SEMPRE ALL'AVANGUARDIA!

L'utilizzo degli stessi processi produttivi e di controllo adottati dai costruttori originali, garantisce al prodotto i medesimi standard qualitativi.

Qualità presente in ogni fase di lavorazione

L'utilizzo di strumenti di misura a coordinate, i test del laboratorio metallografico, le prove finali di accoppiamento e montaggio assicurano al prodotto il raggiungimento dei più alti standard qualitativi.



DEPUIS PLUS DE 45 ANS MISE EN OEUVRE D'UNE TECHNOLOGIE D'AVANT-GARDE!

La mise en oeuvre des process de fabrication et de contrôles adoptés par les constructeurs d'origine garantissent la qualité des pièces produites.

Qualité présente en chaque phase de fabrication

L'utilisation des instruments de mesure adaptés, les test du laboratoire métallurgique, les contrôles finales de accouplement et assemblage assurent au produit la réalisation des plus hautes standard de qualité.



DESDE MÁS DE 45 AÑOS UNA TECNOLOGÍA SIEMPRE AL DÍA!

El empleo de los mismos procesos de producción y de control utilizados por los proveedores originales garantiza al producto los mismos estándares de calidad.

Calidad presente en cada fase de producción

El empleo de instrumentos de medida a coordenadas, los test de laboratorio metalográfico, las pruebas finales de acoplamiento y montaje garantizan para el producto el alcance de los más altos estándares de calidad.

ZERTIFIKAT ♦ CERTIFICATE ♦ 認證書 ♦ CERTIFICADO ♦ CERTIFICAT



CERTIFICATO

Nr 50 100 3413 - Rev. 04

Si attesta che / This is to certify that

IL SISTEMA QUALITÀ DI
THE QUALITY SYSTEM OF



C.E.I.

Costruzione Emiliana Ingranaggi S.p.A.

SEDE LEGALE E OPERATIVA:
REGISTERED OFFICE AND OPERATIONAL SITE:

VIA EMILIA 239
I-40011 ANZOLA DELL'EMILIA (BO)

È CONFORME AI REQUISITI DELLA NORMA
HAS BEEN FOUND TO COMPLY WITH THE REQUIREMENTS OF

UNI EN ISO 9001:2008

QUESTO CERTIFICATO È VALIDO PER IL SEGUENTE CAMPO DI APPLICAZIONE
THIS CERTIFICATE IS VALID FOR THE FOLLOWING SCOPE

Progettazione, fabbricazione e assemblaggi di parti ed accessori di ricambio
per veicoli industriali (IAF 22, 18)

Design, manufacture and assembling of spare parts and accessories for
industrial vehicles (IAF 22, 18)

ACCREDIA
ENTE ITALIANO DI ACCREDITAMENTO

SQC N° 0484 SSI N° 0050 PRD N° 0818
SQA N° 0180 ITX N° 0011 IEP N° 051E
SCR N° 008F PRS N° 077C LAB N° 0076

Membro degli Accordi di Mutua Riconoscimento
EA, IAF e ILAC
Signature of EA, IAF and ILAC Mutual Recognition
Agreements

Per l'Organismo di Certificazione
For the Certification Body
TÜV Italia S.r.l.



Andrea Coscia
Direttore Divisione Management Service

Validità / Validity

Dal / From: **2015-09-15**

Al / To: **2018-09-14**

Data emissione / Printing Date

2015-10-14

PRIMA CERTIFICAZIONE / FIRST CERTIFICATION: 2015-10-14

LA VALIDITÀ DEL PRESENTE CERTIFICATO È SUBORDINATA A SORVEGLIANZA PERIODICA A 12 MESI E AL RESAME COMPLETO DEL SISTEMA DI GESTIONE AZIENDALE CON PERIODICITÀ TRIENNALE

THE VALIDITY OF THE PRESENT CERTIFICATE DEPENDS ON THE ANNUAL SURVEILLANCE EVERY 12 MONTHS AND ON THE COMPLETE REVIEW OF COMPANY'S MANAGEMENT SYSTEM AFTER THREE-YEARS

TÜV Italia S.r.l. • Gruppo TÜV SÜD • Via Carducci 125, Pal. 23 • 20089 Sesto San Giovanni (MI) • Italia • www.tuv.it

100% INTERCHANGEABILITY WITH ORIGINAL PRODUCTS



Wide range of components perfectly interchangeable with more than 25.000 original products of the major industrial vehicles manufacturers.

Made in Italy tradition - Since 1969

- More than 6.000 items available on stock
- 1.500.000 units ready for delivery
- Export of products to over 90 countries
- UNI EN ISO 9001:2008 quality certification

INTERCAMBIABILITÀ AL 100% CON LE PARTI ORIGINALI



Ampla gamma di componenti perfettamente intercambiabili con oltre 25.000 parti originali delle maggiori case costruttrici di veicoli industriali.

Tradizione Made in Italy – Since 1969

- Più di 6.000 articoli disponibili a magazzino
- 1.500.000 parti a stock pronte per essere spedite
- Esportazione dei prodotti in oltre 90 stati
- Certificazione sistema di gestione qualità UNI EN ISO 9001:2008

PIÈCES INTERCHANGEABLES À 100% AVEC CELLES D'ORIGINE



Gamme complète de composants parfaitement adaptables aux 25.000 pièces d'origine fabriquées par les principaux constructeurs de véhicules industriels.

Fabrication Made in Italy - Since 1969

- Plus de 6.000 références disponibles en stock
- 1.500.000 pièces en stock prêtes pour l'expédition
- Pièces exportées dans plus de 90 pays
- Certification UNI EN ISO 9001:2008 pour le système de gestion de la qualité

INTERCAMBIABILIDAD AL 100% CON LAS PARTES ORIGINALES



Amplia gama de componentes perfectamente intercambiables con más de 25.000 partes originales de las más importantes firmas constructoras de vehículos industriales.

Tradición Made in Italy – Since 1969

- Más de 6.000 artículos disponibles en nuestro almacén
- 1.500.000 piezas en stock listas para ser despachadas
- Exportación de los productos en más de 90 Países
- Certificación sistema de gestión de calidad UNI EN ISO 9001:2008



2015
2016

Suitable to **RENAULT**
Gearbox and Differential

n° **075**

CATALOGUES LIST

Gearbox and Differential parts:

- 400.001** Suitable to **IVECO**
- 400.025** Suitable to **DAF**
- 400.050** Suitable to **MERCEDES**
- 400.055** Suitable to **MAN**
- 400.075** Suitable to **RENAULT**
- 400.080** Suitable to **SCANIA**
- 400.090** Suitable to **VOLVO**
- 400.035** Suitable to **FULLER**
- 400.036** Suitable to **EATON**
- 400.095** Suitable to **ZF OLD Range models**
- 401.195** Suitable to **ZF Ecosplit I-II-III models (195/1)**
- 402.195** Suitable to **ZF New Ecosplit III models (195/2)**
- 403.195** Suitable to **ZF Ecosplit IV models (195/3)**
- 400.295** Suitable to **ZF EcoLite / EcoMid models**
- 400.395** Suitable to **ZF AS Tronic models**

Chassis parts:

- 400.902** **Steering System**
Suspension and King pin sets
- 400.903** **Brake System, Engine**
Transmission and Oleodynamic
- 400.905** **Air springs**
for Pneumatic suspension

E-Catalogue on customer area www.cei.it



Applications/Versions index

Model: **B Series**

<i>Gearboxes</i>	<i>Intermediate axles</i>	<i>Rear axles</i>
-	-	569, 669

Model: **C Series**

<i>Gearboxes</i>	<i>Intermediate axles</i>	<i>Rear axles</i>
B9, B18	P1032, P1532, P1341	P1332, P1532, P1341

Model: **G Series**

<i>Gearboxes</i>	<i>Intermediate axles</i>	<i>Rear axles</i>
B9, B18	P1032, P1532, P1341	P1332, P1532, P1341

Model: **R Series**

<i>Gearboxes</i>	<i>Intermediate axles</i>	<i>Rear axles</i>
B9, B18	P1032, P1532, P1341	P1332, P1532, P1341

Model: **MANAGER**

<i>Gearboxes</i>	<i>Intermediate axles</i>	<i>Rear axles</i>
B9, B18	-	P1332

Model: **MIDLINER**

<i>Gearboxes</i>	<i>Intermediate axles</i>	<i>Rear axles</i>
-	-	P1340, P1141A, P1541A, P1141B, P1341, P1541B, P1841, 669

Model: **MASCOTT**

<i>Gearboxes</i>	<i>Intermediate axles</i>	<i>Rear axles</i>
-	-	569, 669, M248, M273

Model: **MIDLUM**

<i>Gearboxes</i>	<i>Intermediate axles</i>	<i>Rear axles</i>
-	-	P1141A, P1541A, P1141B, P1341, P1541B, P1841, P1191, 669, P920, P1120, P1121, P1170, MS08125, MS11145, MS11150

Model: **PREMIUM**

<i>Gearboxes</i>	<i>Intermediate axles</i>	<i>Rear axles</i>
B9, B18	PMR2661, P1191	P1340, P1141A, P1541A, P1545A, P1141B, P1341, P1541B, P1841, P1342, P1345, P1361, PMR2661, P1191, P1391, P1395, P1370, MS13150, MS13170, MS17X

Model: **MAGNUM**

<i>Gearboxes</i>	<i>Intermediate axles</i>	<i>Rear axles</i>
B9, B18	-	P1541A, P1545A, P1341, P1541B, P1841, P1342, P1345, P1395, P1370, MS13170, MS17X

Model: **KERAX**

<i>Gearboxes</i>	<i>Intermediate axles</i>	<i>Rear axles</i>
B9	P1141A, P1141B, P1841B, P1845B, P1841C, P1845C, P1846A, PMR2661, PMR3361, PMR2695, PMR3395, PMR3396	P1141A, P1541A, P1545A, P1141B, P1341, P1541B, P1841, P1342, P1345, P1545B, P1845B, P1845C, P1846, P1361, PMR2661, PMR3361, P1395, PMR2695, PMR3395, PMR3396

GEARBOXES**Versions:**

B9 (9 Speeds) Pag. **006**
B18 (18 Speeds) Pag. **014**

INTERMEDIATE AXLES**Versions:**

P1032 Pag. 026	P1845C Pag. 070
P1532 Pag. 026	P1846A Pag. 078
P1141A Pag. 028	PMR2661 Pag. 086
P1141B Pag. 034	PMR3361 Pag. 086
P1341 Pag. 042	P1191 Pag. 096
P1841B Pag. 042	PMR2695 Pag. 104
P1845B Pag. 052	PMR3395 Pag. 104
P1841C Pag. 062	PMR3396 Pag. 112

REAR AXLES**Versions:**

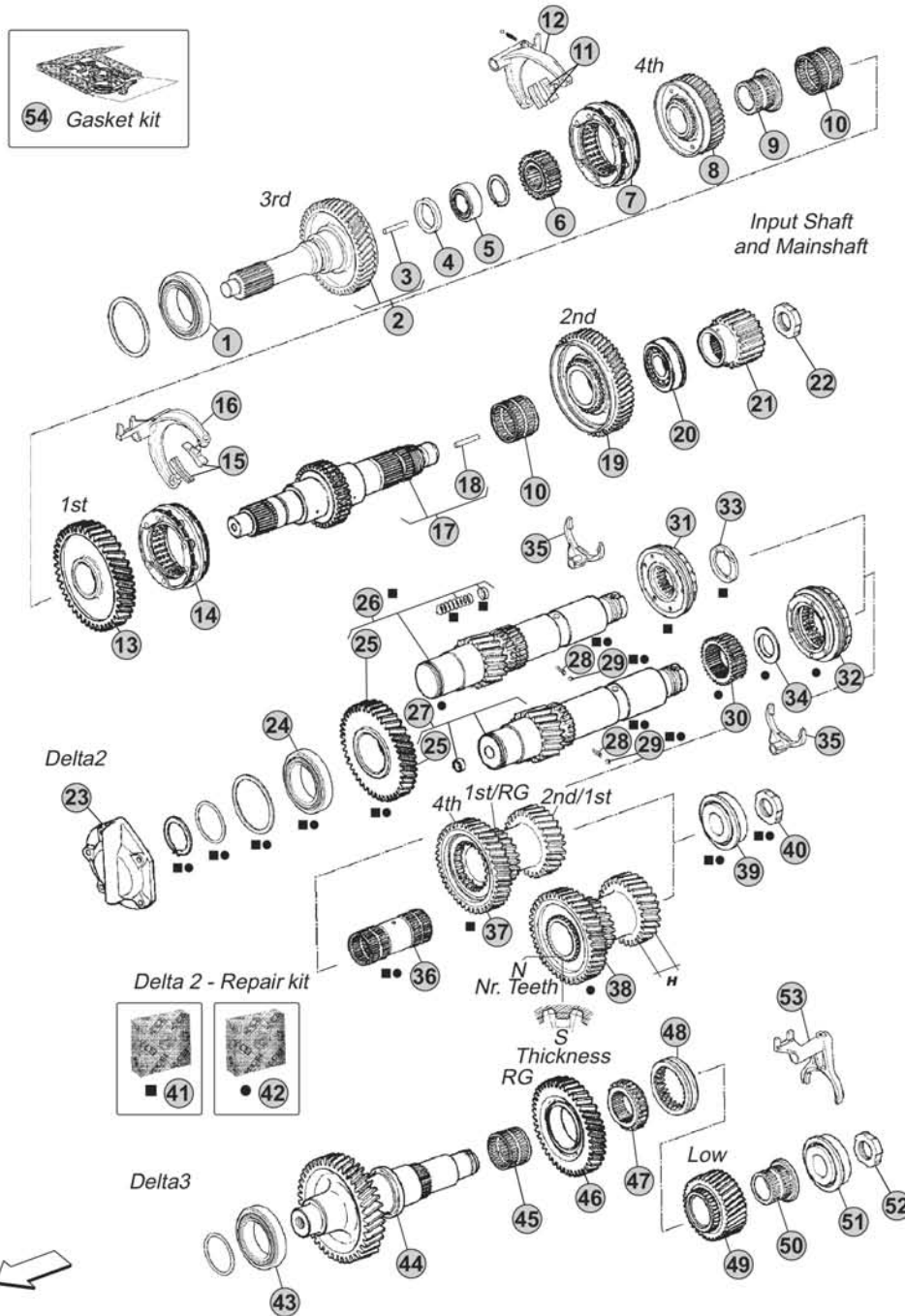
P1332 Pag. 122	P1845B Pag. 138	669 Pag. 178
P1532 Pag. 122	P1845C Pag. 138	P920 Pag. 184
P1340 Pag. 124	P1846 Pag. 144	P1120 Pag. 184
P1141A Pag. 124	P1361 Pag. 150	P1121 Pag. 184
P1541A Pag. 124	PMR2661 Pag. 150	P1170 Pag. 192
P1545A Pag. 124	PMR3361 Pag. 150	P1370 Pag. 192
P1141B Pag. 130	P1191 Pag. 158	M248 Pag. 198
P1341 Pag. 130	P1391 Pag. 158	M273 Pag. 200
P1541B Pag. 130	P1395 Pag. 164	MS08125 Pag. 202
P1841 Pag. 130	PMR2695 Pag. 164	MS11145 Pag. 208
P1342 Pag. 130	PMR3395 Pag. 164	MS11150 Pag. 214
P1345 Pag. 138	PMR3396 Pag. 170	MS13150 Pag. 218
P1545B Pag. 138		MS13170 Pag. 222
	569 Pag. 176	MS17X Pag. 226

VERSIONS:

- B9 (9 Speeds)

APPLICATIONS:

- C Series
- G Series
- MANAGER
- R Series
- PREMIUM
- MAGNUM
- KERAX



Notes

Up to 1984: 143.080 - 50 00 673 219 H : 37,00 mm N : 26 dents S : 4,94 mm
 From 1984 To 1989: 143.081 - 50 00 673 266 H : 37,00 mm N : 26 dents S : 3,34 mm
 From 1989: 143.083 - 50 10 242 997 H : 41,00 mm N : 32 dents S : 4,23 mm



Our spare parts are not the originals but interchangeable with the originals ones. All original equipment manufacturers' numbers, pictures and models used in this catalogue are for reference only. Our products bear our trade-mark.

Our spare parts are not the originals but interchangeable with the originals ones. All original equipment manufacturers' numbers, pictures and models used in this catalogue are for reference only. Our products bear our trade-mark.

Fig.	CEI no.	RENAULT no.	Description	Q.ty	Notes	89			
1	130.520	50 10 242 774	Bearing 80x125x29	1	Premium brand	●			
1	530.520	50 10 242 774	Bearing 80x125x29	1	Aftermarket	●			
2	190.369	50 00 653 716	Input Shaft 49 T	1	(1) Up to 84'	●			
2	190.370	50 00 653 856	Input Shaft 49 T	1	(1) From 84' up to 89'	●			
2	190.247	50 00 673 694	Input shaft 49 T	1	(1) From 89'	●			
2	190.371	50 00 673 991	Input Shaft 49 T	1	(2)	●			
3	188.143	50 00 655 482	Tube	1		●			
4	139.459	50 00 790 853	Oil Seal 57x74x12,5	1		●			
5	130.521	50 10 242 777	Bearing 35x72x28	1	Premium brand	●			
5	530.521	50 10 242 777	Bearing 35x72x28	1	Aftermarket	●			
6	155.311	50 00 673 027	Fixed Hub	1		●			
7	196.220	50 00 673 430	Synchro kit 3rd/4th Speed	1		●			
8	196.346	50 00 653 797	Gear 4th Speed	1	Up to 84'	●			
8	196.347	50 00 653 858	Gear 4th Speed 43 T	1	From 84' up to 89'	●			
8	196.234	50 00 673 692	Gear 4th Speed 43 T	1	From 89'	●			
9	137.252	50 03 090 110	Needle Cage 50x68x87x63	1		●			
10	137.253	50 03 090 112	Needle Cage 65x73x48	2		●			
11	141.151	50 00 655 517	Slide	2		●			
12	141.189	50 00 690 012	Fork	1		●			
13	145.804	50 00 653 714	Gear 1st Speed	1	Up to 84'	●			
13	145.805	50 00 653 859	Gear 1st Speed 61 T	1	From 84' up to 89'	●			
13	145.442	50 00 673 690	Gear 1st Speed 61 T	1	From 89'	●			
14	196.219	50 00 673 429	Synchro kit 1st/2nd Speed	1		●			
15	141.150	50 00 655 516	Slide	2		●			
16	141.190	50 00 690 011	Fork	1		●			
17	103.189	50 00 673 029	Main Shaft	1		●			
18	188.144	50 00 655 480	Tube	1		●			
19	145.806	50 00 653 713	Gear 2nd Speed 56 T	1	Up to 84'	●			
19	145.807	50 00 653 860	Gear 2nd Speed 56 T	1	From 84' up to 89'	●			
19	145.443	50 00 673 691	Gear 2nd Speed 56 T	1	From 89'	●			
20	130.371	50 10 242 778	Bearing 55x110x38	1		●			
21	157.657	50 00 673 077	Sun Gear 21 T	1		●			
22	187.556	50 10 372 353	Grooved nut	1		●			
23	128.202	50 00 655 504	Cover	1	Up to 89'	●			
23	128.203	50 10 372 349	Cover	1	From 89'	●			
24	130.526	50 10 242 776	Bearing 55x100x35	1	Premium brand	●			
24	530.526	50 10 242 776	Bearing 55x100x35	1	Aftermarket	●			
25	146.349	50 00 673 698	Gear 3rd Speed 35 T	1		●			
26	105.180		Countershaft Delta 2	1	Up to 84'	●			
26	105.181	50 00 653 878	Countershaft Delta 2 18/35 T	1	From 84' up to 89'	●			
27	105.182	50 00 690 034	Countershaft Delta 2 18/35 T	1	From 89'	●			
28	156.187	50 00 655 590	Spring	2	Up to 89'	●			
28	156.188	50 00 673 278	Spring	4	From 89'	●			

B9

Date

12/2015

Notes

(1) Clutch with single disk

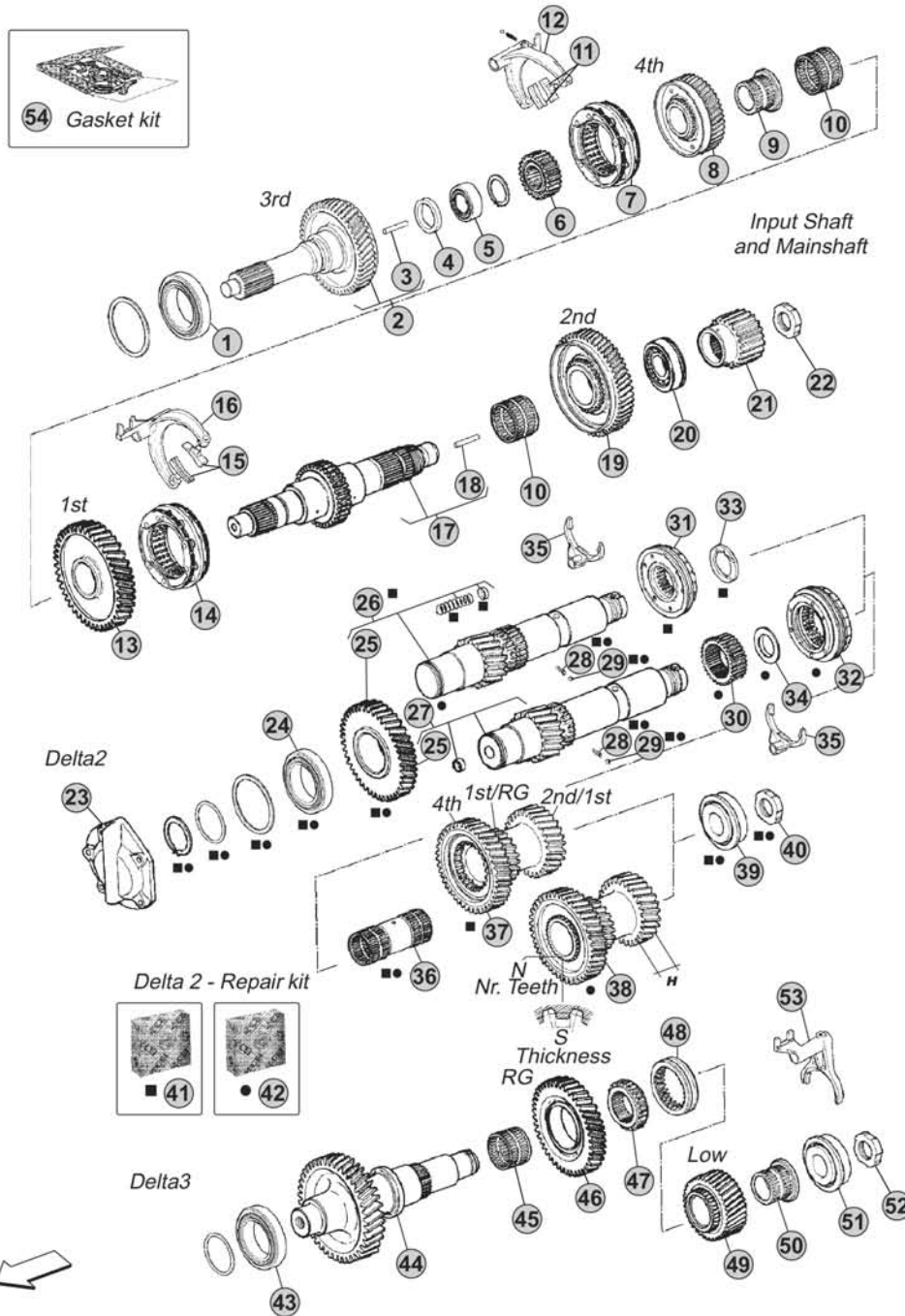
(2) Clutch with double disk

VERSIONS:

- B9 (9 Speeds)

APPLICATIONS:

- C Series
- G Series
- MANAGER
- R Series
- PREMIUM
- MAGNUM
- KERAX



Notes

Up to 1984: 143.080 - 50 00 673 219 H : 37,00 mm N : 26 dents S : 4,94 mm
 From 1984 To 1989: 143.081 - 50 00 673 266 H : 37,00 mm N : 26 dents S : 3,34 mm
 From 1989: 143.083 - 50 10 242 997 H : 41,00 mm N : 32 dents S : 4,23 mm

Our spare parts are not the originals but interchangeable with the originals ones. All original equipment manufacturers' numbers, pictures and models used in this catalogue are for reference only. Our products bear our trade-mark.

Fig.	CEI no.	RENAULT no.	Description	Q.ty	Notes	89				
29	171.060	09 79 100 600	Ball	2	Up to 89'	●				
29	171.060	09 79 100 600	Ball	4	From 89'	●				
30	157.163	50 00 673 275	Synchronizer Hub 32 T	1	From 89'	●				
31	196.203	50 00 653 879	Synchronizer Assy R.G.	1	Up to 84'	●				
31	196.278	50 00 673 267	Synchronizer Assy R.G.	1	From 84' up to 89'	●				
32	196.226	50 00 690 174	Synchronizer Assy R.G.	1	From 89'	●				
33	169.999	50 00 655 564	Washer	1	Up to 84'	●				
33	269.001	50 00 673 226	Washer	1	From 84' up to 89'	●				
34	269.002	50 00 673 279	Washer	1	From 89'	●				
35	141.139	50 00 690 181	Fork	1		●				
36	137.254	50 00 673 420	Needle Cage 54x60x171	1		●				
37	143.080	50 00 673 219	Triple Gear 29/22/41 T	1	Up to 84'	●				
37	143.081	50 00 673 266	Gear 29/22/41 T	1	From 84' up to 89'	●				
38	143.083	50 10 242 997	Triple gear 29/22/41 T	1	From 89'	●				
39	130.525	50 10 242 775	Bearing 40x95/102x32	1	Premium brand	●				
39	530.525	50 10 242 775	Bearing 40x95/102x32	1	Aftermarket	●				
40	187.555	50 00 673 341	Nut M40x1,5	1		●				
41	298.005	56 00 106 851	Repair Kit Delta 2	1	Up to 84'	●				
41	298.006	56 00 106 920	Repair Kit Delta 2	1	From 84' up to 89'	●				
42	298.007	56 00 538 683	Repair Kit Delta 2	1	From 89'	●				
43	130.522	00 23 336 288	Bearing 45x80x26	1	Premium brand	●				
43	530.522	00 23 336 288	Bearing 45x80x26	1	Aftermarket	●				
44	107.199	50 00 655 313	Reverse Shaft/1st Delta 3	1		●				
45	130.372	50 03 090 113	Bearing 60x68x46	1		●				
46	147.217	50 00 653 710	Reverse Gear	1	Up to 84'	●				
46	147.218	50 00 653 874	Reverse Gear 35 T	1	From 84' up to 89'	●				
46	147.218	50 00 653 874	Reverse Gear 35 T	1	From 89'	●				
47	157.229	50 00 655 323	Fixed Hub	1		●				
48	154.359	50 00 653 875	Sliding Sleeve 28 T	1		●				
49	146.575	50 00 653 709	Gear 1st Low Speed	1	Up to 84'	●				
49	146.576	50 00 653 876	Gear 1st Slow Speed 32/28 T	1	From 84' up to 89'	●				
49	146.576	50 00 653 876	Gear 1st Slow Speed 32/28 T	1	From 89'	●				
50	137.255	50 03 090 114	Needle Cage 50x68x82x55,2	1		●				
51	130.525	50 10 242 775	Bearing 40x95/102x32	1	Premium brand	●				
51	530.525	50 10 242 775	Bearing 40x95/102x32	1	Aftermarket	●				
52	187.555	50 00 673 341	Nut M40x1,5	1		●				
53	141.191	50 10 242 718	Fork	1		●				
54	198.753	50 00 793 762	Gasket kit	1		●				

B9

Date

12/2015

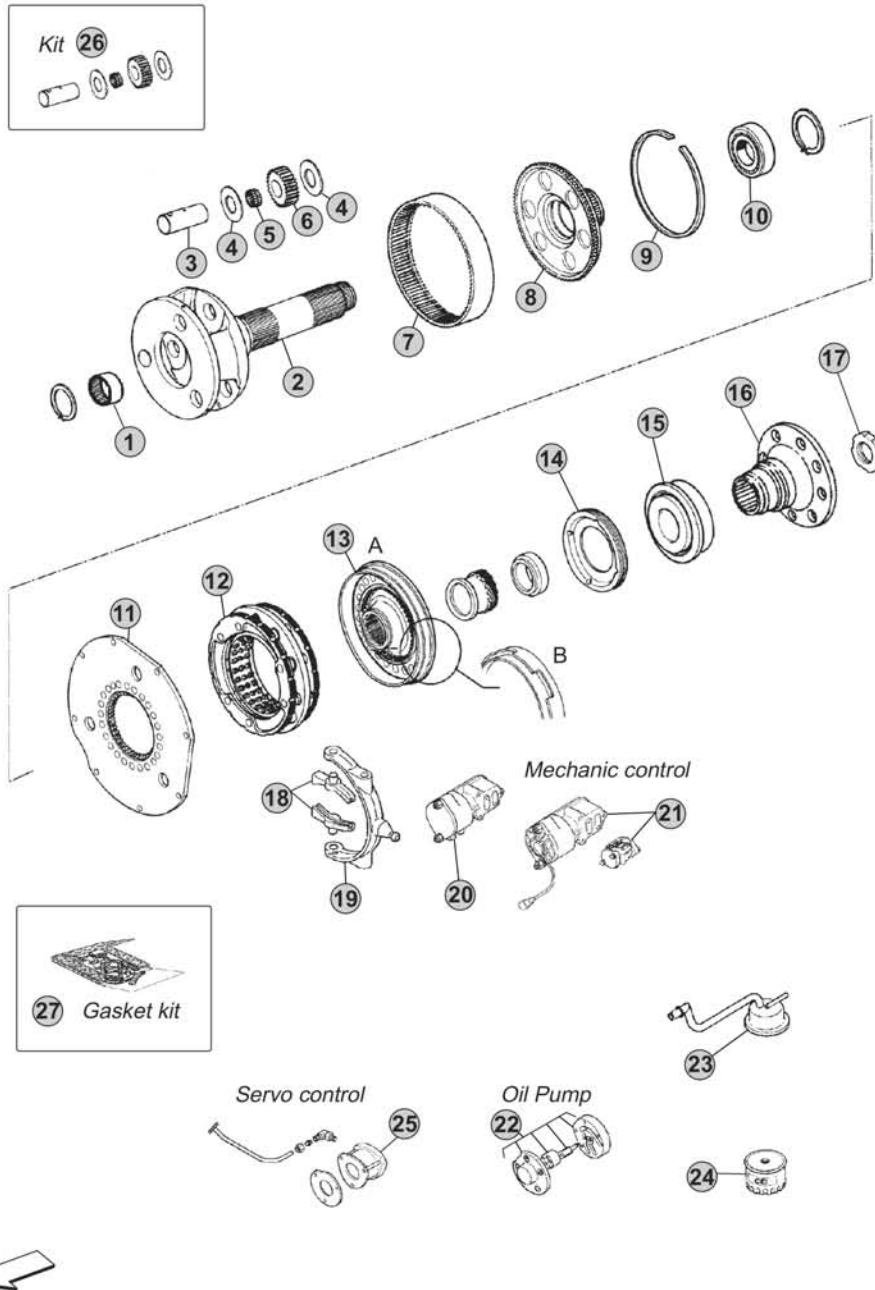
Notes

VERSIONS:

- B9 (9 Speeds)

APPLICATIONS:

- C Series
- G Series
- MANAGER
- R Series
- PREMIUM
- MAGNUM
- KERAX



Our spare parts are not the originals but interchangeable with the originals ones. All original equipment manufacturers' numbers, pictures and models used in this catalogue are for reference only. Our products bear our trade-mark.

Notes

Up to 1984: 143.080 - 50 00 673 219 H : 37,00 mm N : 26 dents S : 4,94 mm
 From 1984 To 1989: 143.081 - 50 00 673 266 H : 37,00 mm N : 26 dents S : 3,34 mm
 From 1989: 143.083 - 50 10 242 997 H : 41,00 mm N : 32 dents S : 4,23 mm

Our spare parts are not the originals but interchangeable with the originals ones. All original equipment manufacturers' numbers, pictures and models used in this catalogue are for reference only. Our products bear our trade-mark.

Fig.	CEI no.	RENAULT no.	Description	Q.ty	Notes	89				
1	130.373	00 23 351 022	Bearing 34x47x17	1		●				
2	190.372	50 00 653 988	Planetary Carrier	1	Up to 87'	●				
2	190.373	50 00 673 139	Planetary Carrier	1	From 87' up to 97'	●				
2	190.374	50 10 242 741	Planetary Carrier	1	From 97'	●				
2	190.375	50 00 673 054	Planetary Carrier	1	(1)	●				
3	107.200	50 00 655 684	Planetary Pin	3	Up to 87'	●				
3	107.142	50 00 653 932	Planetary Pin	3	From 87'	●				
4	169.707	50 00 655 576	Thrust washer 32x59,50x1,6	6		●				
5	137.121	50 00 786 301	Set of needle (36 Pcs)	3		●				
6	157.164	50 00 673 078	Side Pinion 18 T	3		●				
7	123.263	50 00 655 329	Crown Gear 57 T	1		●				
8	150.162	50 00 655 330	Flange Gear	1		●				
9	111.263	50 00 673 373	Lock Ring	1		●				
10	130.523	50 10 372 462	Bearing	1	Up to 97'	●				
10	130.374	50 10 372 463	Bearing	1	From 97'	●				
10	130.374	50 10 372 463	Bearing	1	(1)	●				
11	298.008	50 00 655 301	Synchronizer Cone	1	Up to 87'	●				
11	198.662	50 00 690 124	Synchronizer cone	1	From 87'	●				
12	196.204	50 00 690 026	Synchronizer Assy	1		●				
13	109.143	50 00 653 868	Synchronizer cone	1	Up to 87' Type A	●				
13	109.387	50 00 673 556	Synchronizer Cone	1	From 87' up to 97' Type B	●				
13	109.143	50 00 653 868	Synchronizer cone	1	From 87' up to 97' Type A	●				
13	109.388	50 00 673 549	Synchronizer Cone	1	From 97' Type B	●				
13	109.363	50 00 669 304	Synchronizer Cone	1	(1) Type A	●				
13	109.388	50 00 673 549	Synchronizer Cone	1	(1) Type B	●				
14	187.715	50 00 655 547	Grooved Nut M162x200	1		●				
15	130.524	50 10 372 460	Bearing	1	Up to 97'	●				
15	130.375	50 10 372 461	Bearing	1	From 97'	●				
15	130.375	50 10 372 461	Bearing	1	(1)	●				
16	155.222	50 10 242 535	Output Flange	1	Up to 97'	●				
16	155.223	50 10 242 536	Output Flange	1	Up to 97'	●				
16	155.224	50 10 242 540	Output Flange	1	From 97'	●				
16	155.224	50 10 242 540	Output Flange	1		●				
16	155.225	50 10 242 541	Output Flange	1	From 97'	●				
16	155.225	50 10 242 541	Output Flange	1	(1)	●				
17	187.556	50 10 372 353	Grooved nut	1	Up to 97'	●				
17	187.716	50 10 372 201	Grooved nut	1	From 97'	●				
17	187.716	50 10 372 201	Grooved nut	1	(1)	●				
18	141.152	50 00 690 191	Slide	2		●				
19	141.192	50 00 655 384	Fork	1		●				
20	280.620	50 00 850 164	Cylinder	1	1st Type	●				
20	280.621	50 10 242 648	Cylinder	1	Latest Type	●				
21	280.622	50 00 850 271	Cylinder	1		●				

B9

Date

12/2015

Notes

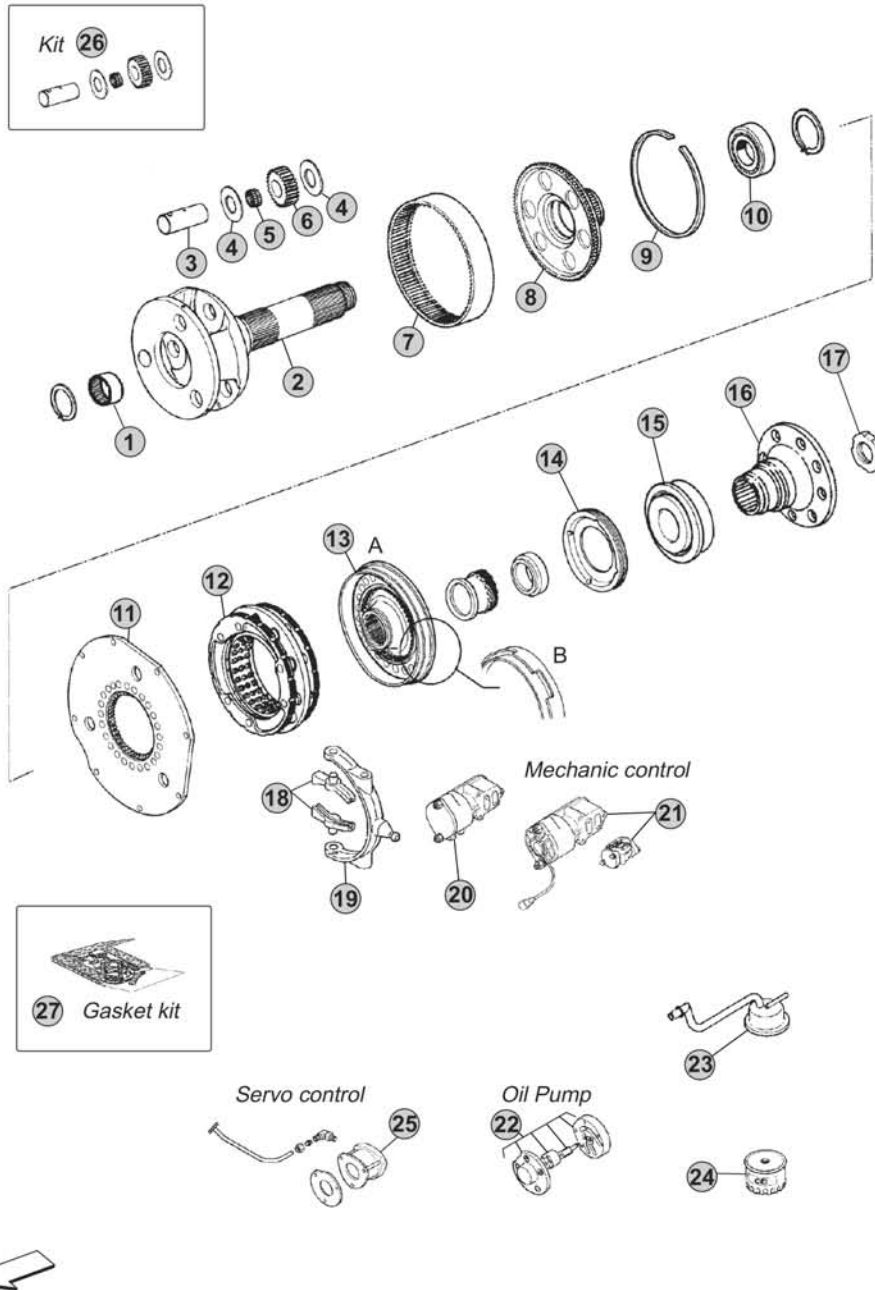
(1) Special version fitted since 1992 to 1999: AE 380/385TI/420TI/500/520 - AE Magnum 390/420TI/430/470/560 - Premium 4x2/6x2 - CBH/CLM 320/385 - "R" Series

VERSIONS:

- B9 (9 Speeds)

APPLICATIONS:

- C Series
- G Series
- MANAGER
- R Series
- PREMIUM
- MAGNUM
- KERAX



Our spare parts are not the originals but interchangeable with the originals ones. All original equipment manufacturers' numbers, pictures and models used in this catalogue are for reference only. Our products bear our trade-mark.

Notes

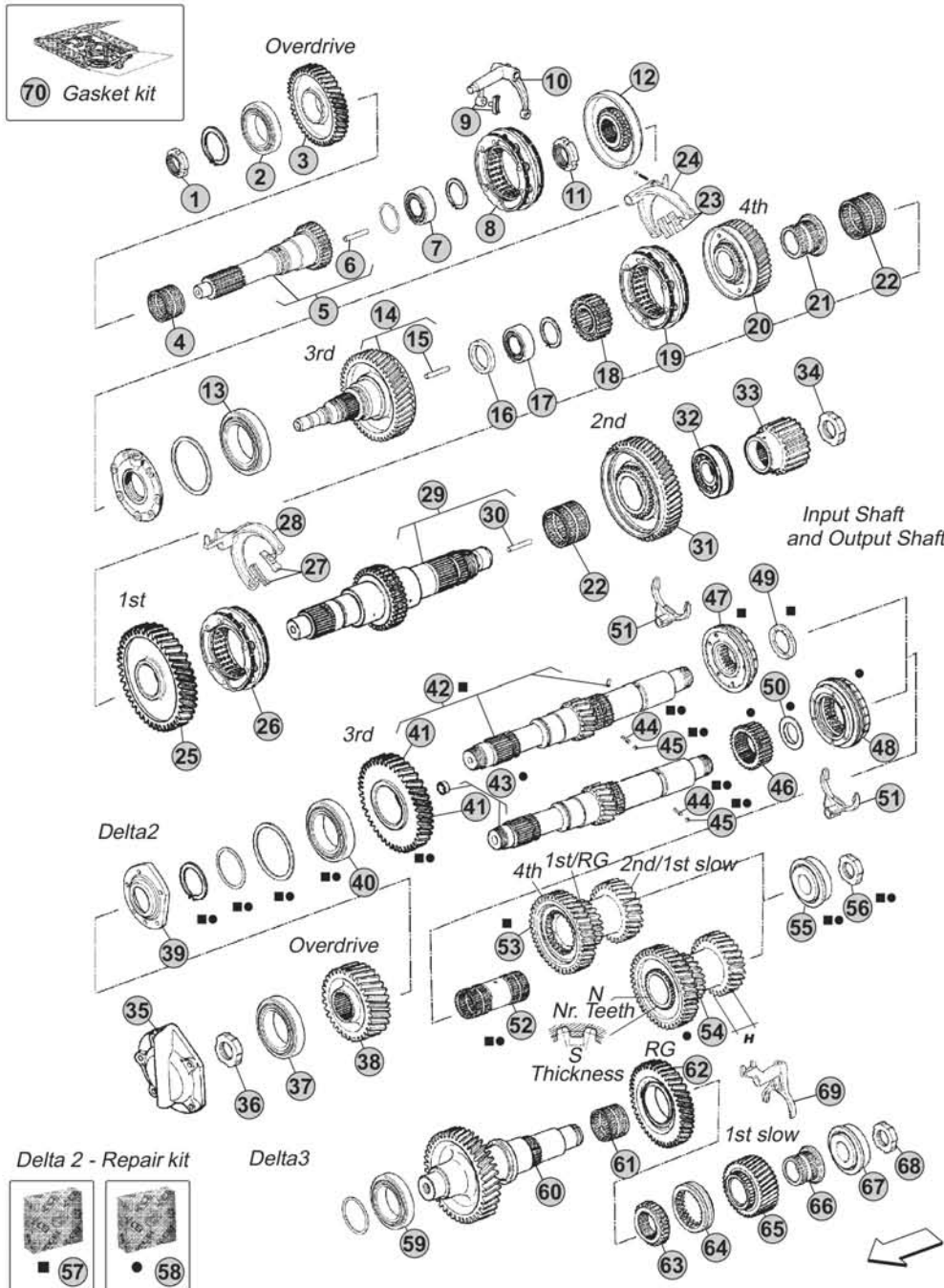
Up to 1984: 143.080 - 50 00 673 219 H : 37,00 mm N : 26 dents S : 4,94 mm
 From 1984 To 1989: 143.081 - 50 00 673 266 H : 37,00 mm N : 26 dents S : 3,34 mm
 From 1989: 143.083 - 50 10 242 997 H : 41,00 mm N : 32 dents S : 4,23 mm

VERSIONS:

- B18 (18 Speeds)

APPLICATIONS:

- C Series
- G Series
- MANAGER
- R Series
- PREMIUM
- MAGNUM



Notes

Up to 1987: 143.080 - 50 00 673 219 H : 37,00 mm N : 26 dents S : 4,94 mm
 From 1987 To 1989: 143.081 - 50 00 673 266 H : 37,00 mm N : 26 dents S : 3,34 mm
 From 1989: 143.083 - 50 10 242 997 H : 41,00 mm N : 32 dents S : 4,23 mm

Our spare parts are not the originals but interchangeable with the originals ones. All original equipment manufacturers' numbers, pictures and models used in this catalogue are for reference only. Our products bear our trade-mark.

Fig.	CEI no.	RENAULT no.	Description	Q.ty	Notes	B18				
1	187.717	50 10 372 345	Grooved Nut	1		●				
2	130.376	50 00 690 022	Bearing	1		●				
3	145.441	50 00 673 911	Gear splitter 52 T	1		●				
4	137.256	50 10 242 418	Needle Cage	1		●				
5	190.245	50 00 673 117	Input shaft	1	Without bush	●				
5	190.376	50 10 372 327	Input Shaft	1	With bush	●				
6	188.144	50 00 655 480	Tube	1		●				
7	130.377	50 00 690 024	Bearing	1		●				
8	196.218	50 00 673 356	Synchronizing Assy	1		●				
9	141.150	50 00 655 516	Slide	1		●				
10	141.193	50 00 655 786	Fork	1		●				
11	187.556	50 10 372 353	Grooved nut	1		●				
12	109.142	50 00 673 089	Synchronizer cone	1		●				
13	130.520	50 10 242 774	Bearing 80x125x29	1	Premium brand	●				
13	530.520	50 10 242 774	Bearing 80x125x29	1	Aftermarket	●				
14	190.377	50 00 669 277	Intermediate Shaft	1	Up to 10/86'	●				
14	190.246	50 00 673 696	Intermed shaft 49 T	1	From 10/86'	●				
15	188.143	50 00 655 482	Tube	1		●				
16	139.459	50 00 790 853	Oil Seal 57x74x12,5	1		●				
17	130.521	50 10 242 777	Bearing 35x72x28	1	Premium brand	●				
17	530.521	50 10 242 777	Bearing 35x72x28	1	Aftermarket	●				
18	155.311	50 00 673 027	Fixed Hub	1		●				
19	196.220	50 00 673 430	Synchro kit 3rd/4th Speed	1		●				
20	196.347	50 00 653 858	Gear 4th Speed 43 T	1	Up to 89'	●				
20	196.234	50 00 673 692	Gear 4th Speed 43 T	1	From 89'	●				
21	137.252	50 03 090 110	Needle Cage 50x68x87x63	1		●				
22	137.253	50 03 090 112	Needle Cage 65x73x48	2		●				
23	141.151	50 00 655 517	Slide	2		●				
24	141.189	50 00 690 012	Fork	1		●				
25	145.805	50 00 653 859	Gear 1st Speed 61 T	1	Up to 89'	●				
25	145.442	50 00 673 690	Gear 1st Speed 61 T	1	From 89'	●				
26	196.219	50 00 673 429	Synchro kit 1st/2nd Speed	1		●				
27	141.150	50 00 655 516	Slide	2		●				
28	141.190	50 00 690 011	Fork	1		●				
29	103.189	50 00 673 029	Main Shaft	1		●				
30	188.144	50 00 655 480	Tube	1		●				
31	145.807	50 00 653 860	Gear 2nd Speed 56 T	1	Up to 89'	●				
31	145.443	50 00 673 691	Gear 2nd Speed 56 T	1	From 89'	●				
32	130.371	50 10 242 778	Bearing 55x110x38	1		●				
33	157.657	50 00 673 077	Sun Gear 21 T	1		●				
34	187.556	50 10 372 353	Grooved nut	1		●				
35	128.204	50 00 655 781	Cover	1		●				
36	187.555	50 00 673 341	Nut M40x1,5	1		●				

B18

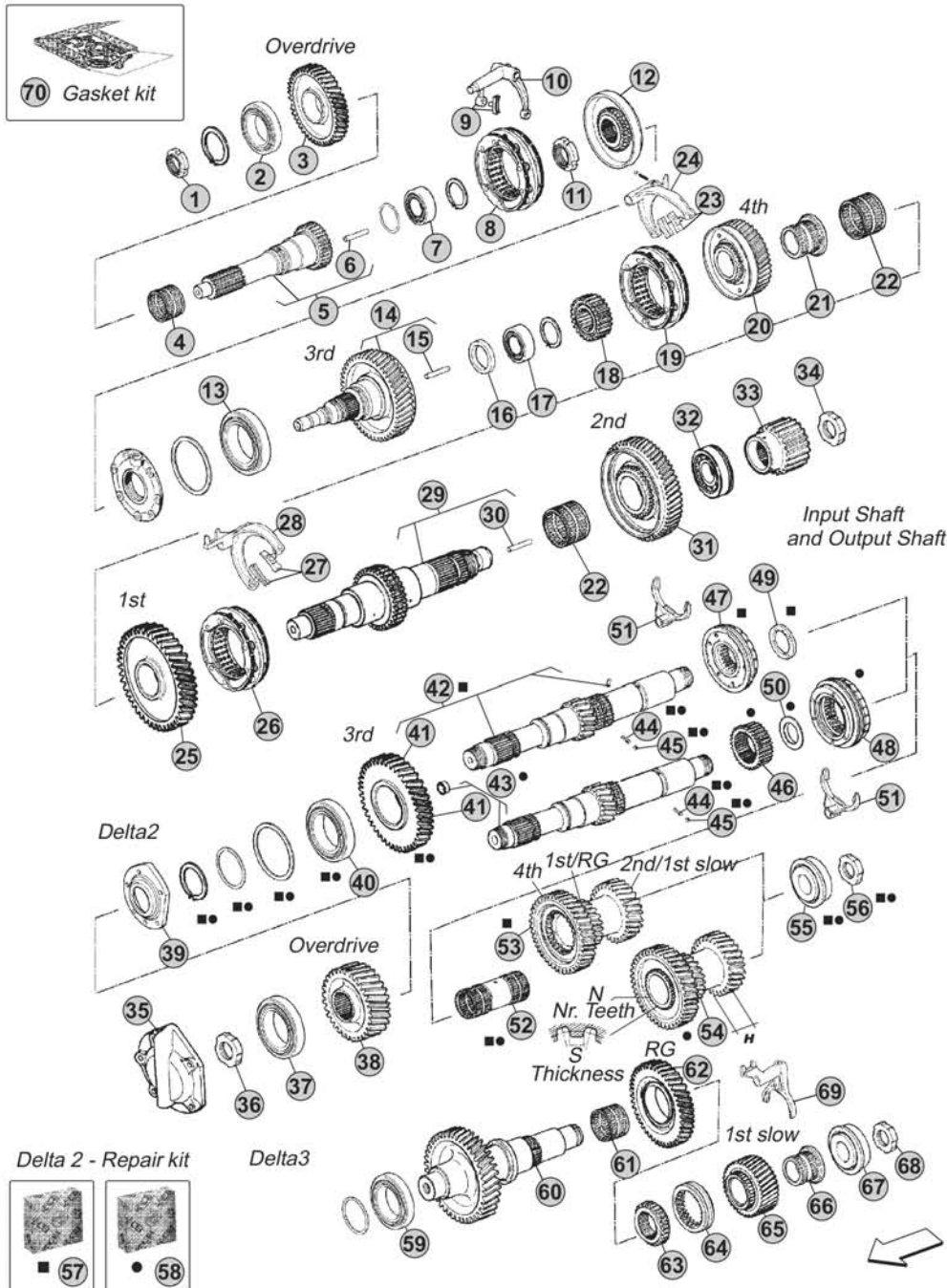
Date 12/2015 Notes _____

VERSIONS:

- B18 (18 Speeds)

APPLICATIONS:

- C Series
- G Series
- MANAGER
- R Series
- PREMIUM
- MAGNUM



Notes

Up to 1987: 143.080 - 50 00 673 219 H : 37,00 mm N : 26 dents S : 4,94 mm
 From 1987 To 1989: 143.081 - 50 00 673 266 H : 37,00 mm N : 26 dents S : 3,34 mm
 From 1989: 143.083 - 50 10 242 997 H : 41,00 mm N : 32 dents S : 4,23 mm

Our spare parts are not the originals but interchangeable with the originals ones. All original equipment manufacturers' numbers, pictures and models used in this catalogue are for reference only. Our products bear our trade-mark.

Fig.	CEI no.	RENAULT no.	Description	Q.ty	Notes	B18				
37	130.378	50 00 690 023	Bearing	1		●				
38	146.350	50 00 673 912	Gear splitter 32 T	1		●				
39	128.205	50 00 655 779	Cover	1		●				
40	130.526	50 10 242 776	Bearing 55x100x35	1	Premium brand	●				
40	530.526	50 10 242 776	Bearing 55x100x35	1	Aftermarket	●				
41	146.349	50 00 673 698	Gear 3rd Speed 35 T	1		●				
42			Countershaft	1	Up to 87'	●				
42	190.266	56 00 106 749	Countershaft Kit 18 T	1	From 87' up to 89'	●				
43	190.379	50 00 690 035	Countershaft	1	From 89'	●				
44	156.187	50 00 655 590	Spring	2	Up to 89'	●				
44	156.188	50 00 673 278	Spring	4	From 89'	●				
45	171.060	09 79 100 600	Ball	2	Up to 89'	●				
45	171.060	09 79 100 600	Ball	4	From 89'	●				
46	157.163	50 00 673 275	Synchronizer Hub 32 T	1	From 89'	●				
47	196.203	50 00 653 879	Synchronizer Assy R.G.	1	Up to 87'	●				
47	196.278	50 00 673 267	Synchronizer Assy R.G.	1	From 87' up to 89'	●				
48	196.226	50 00 690 174	Synchronizer Assy R.G.	1	From 89'	●				
49	269.001	50 00 673 226	Washer	1	Up to 89'	●				
50	269.002	50 00 673 279	Washer	1	From 89'	●				
51	141.139	50 00 690 181	Fork	1		●				
52	137.254	50 00 673 420	Needle Cage 54x60x171	1		●				
53	143.080	50 00 673 219	Triple Gear 29/22/41 T	1	Up to 87'	●				
53	143.081	50 00 673 266	Gear 29/22/41 T	1	From 87' up to 89'	●				
54	143.083	50 10 242 997	Triple gear 29/22/41 T	1	From 89'	●				
55	130.525	50 10 242 775	Bearing 40x95/102x32	1	Premium brand	●				
55	530.525	50 10 242 775	Bearing 40x95/102x32	1	Aftermarket	●				
56	187.555	50 00 673 341	Nut M40x1,5	1		●				
57	298.009	56 00 106 840	Repair Kit Delta 2	1	Up to 87'	●				
57	298.006	56 00 106 920	Repair Kit Delta 2	1	From 87' up to 89'	●				
58	298.010	56 00 538 684	Repair Kit Delta 2	1	From 89'	●				
59	130.522	00 23 336 288	Bearing 45x80x26	1	Premium brand	●				
59	530.522	00 23 336 288	Bearing 45x80x26	1	Aftermarket	●				
60	107.199	50 00 655 313	Reverse Shaft/1st Delta 3	1		●				
61	130.372	50 03 090 113	Bearing 60x68x46	1		●				
62	147.218	50 00 653 874	Reverse Gear 35 T	1		●				
63	157.229	50 00 655 323	Fixed Hub	1		●				
64	154.359	50 00 653 875	Sliding Sleeve 28 T	1		●				
65	146.576	50 00 653 876	Gear 1st Slow Speed 32/28 T	1		●				
66	137.255	50 03 090 114	Needle Cage 50x68x82x55,2	1		●				
67	130.525	50 10 242 775	Bearing 40x95/102x32	1	Premium brand	●				
67	530.525	50 10 242 775	Bearing 40x95/102x32	1	Aftermarket	●				
68	187.555	50 00 673 341	Nut M40x1,5	1		●				
69	141.191	50 10 242 718	Fork	1		●				

B18

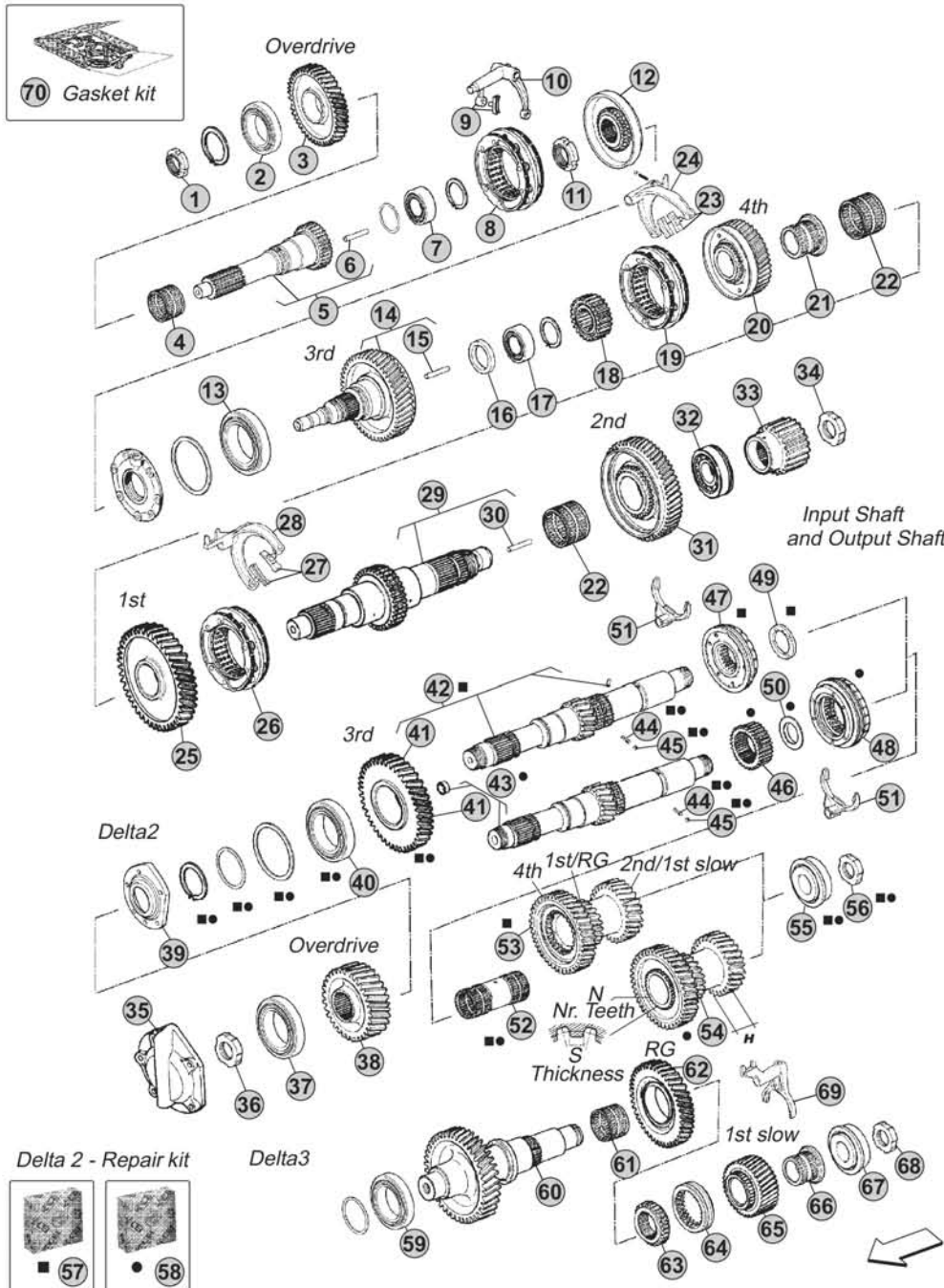
Date 12/2015 Notes _____

VERSIONS:

- B18 (18 Speeds)

APPLICATIONS:

- C Series
- G Series
- MANAGER
- R Series
- PREMIUM
- MAGNUM



Notes

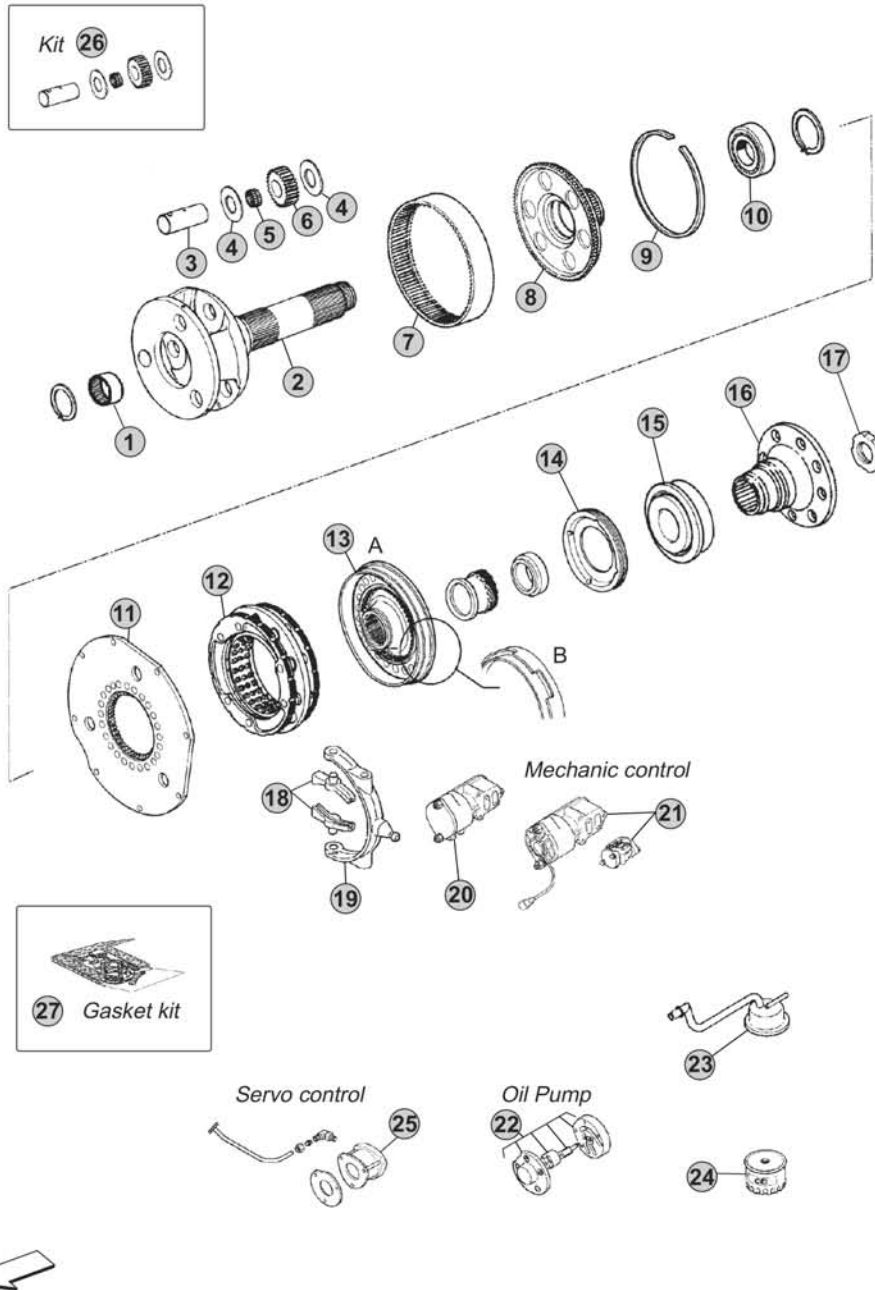
Up to 1987: 143.080 - 50 00 673 219 H : 37,00 mm N : 26 dents S : 4,94 mm
 From 1987 To 1989: 143.081 - 50 00 673 266 H : 37,00 mm N : 26 dents S : 3,34 mm
 From 1989: 143.083 - 50 10 242 997 H : 41,00 mm N : 32 dents S : 4,23 mm

VERSIONS:

- B18 (18 Speeds)

APPLICATIONS:

- C Series
- G Series
- MANAGER
- R Series
- PREMIUM
- MAGNUM



Our spare parts are not the originals but interchangeable with the originals ones. All original equipment manufacturers' numbers, pictures and models used in this catalogue are for reference only. Our products bear our trade-mark.

Notes

Up to 1987: 143.080 - 50 00 673 219 H : 37,00 mm N : 26 dents S : 4,94 mm
 From 1987 To 1989: 143.081 - 50 00 673 266 H : 37,00 mm N : 26 dents S : 3,34 mm
 From 1989: 143.083 - 50 10 242 997 H : 41,00 mm N : 32 dents S : 4,23 mm

Our spare parts are not the originals but interchangeable with the originals ones. All original equipment manufacturers' numbers, pictures and models used in this catalogue are for reference only. Our products bear our trade-mark.

Fig.	CEI no.	RENAULT no.	Description	Q.ty	Notes	B18				
1	130.373	00 23 351 022	Bearing 34x47x17	1		●				
2	190.372	50 00 653 988	Planetary Carrier	1	Up to 87'	●				
2	190.373	50 00 673 139	Planetary Carrier	1	From 87' up to 97'	●				
2	190.374	50 10 242 741	Planetary Carrier	1	From 97'	●				
2	190.375	50 00 673 054	Planetary Carrier	1	(1)	●				
3	107.200	50 00 655 684	Planetary Pin	3	Up to 87'	●				
3	107.142	50 00 653 932	Planetary Pin	3	From 87'	●				
4	169.707	50 00 655 576	Thrust washer 32x59,50x1,6	6		●				
5	137.121	50 00 786 301	Set of needle (36 Pcs)	3		●				
6	157.164	50 00 673 078	Side Pinion 18 T	3		●				
7	123.263	50 00 655 329	Crown Gear 57 T	1		●				
8	150.162	50 00 655 330	Flange Gear	1		●				
9	111.263	50 00 673 373	Lock Ring	1		●				
10	130.523	50 10 372 462	Bearing	1	Up to 97'	●				
10	130.374	50 10 372 463	Bearing	1	From 97'	●				
10	130.374	50 10 372 463	Bearing	1	(1)	●				
11	298.008	50 00 655 301	Synchronizer Cone	1	Up to 87'	●				
11	198.662	50 00 690 124	Synchronizer cone	1	From 87'	●				
12	196.204	50 00 690 026	Synchronizer Assy	1		●				
13	109.143	50 00 653 868	Synchronizer cone	1	Up to 87' Type A	●				
13	109.387	50 00 673 556	Synchronizer Cone	1	From 87' up to 97' Type B	●				
13	109.143	50 00 653 868	Synchronizer cone	1	From 87' up to 97' Type A	●				
13	109.388	50 00 673 549	Synchronizer Cone	1	From 97' Type B	●				
13	109.363	50 00 669 304	Synchronizer Cone	1	(1) Type A	●				
13	109.388	50 00 673 549	Synchronizer Cone	1	(1) Type B	●				
14	187.715	50 00 655 547	Grooved Nut M162x200	1		●				
15	130.524	50 10 372 460	Bearing	1	Up to 97'	●				
15	130.375	50 10 372 461	Bearing	1	From 97'	●				
15	130.375	50 10 372 461	Bearing	1	(1)	●				
16	155.222	50 10 242 535	Output Flange	1	Up to 97'	●				
16	155.223	50 10 242 536	Output Flange	1	Up to 97'	●				
16	155.224	50 10 242 540	Output Flange	1	From 97'	●				
16	155.224	50 10 242 540	Output Flange	1	(1)	●				
16	155.225	50 10 242 541	Output Flange	1	From 97'	●				
16	155.225	50 10 242 541	Output Flange	1	(1)	●				
17	187.556	50 10 372 353	Grooved nut	1	Up to 97'	●				
17	187.716	50 10 372 201	Grooved nut	1	From 97'	●				
17	187.716	50 10 372 201	Grooved nut	1	(1)	●				
18	141.152	50 00 690 191	Slide	2		●				
19	141.192	50 00 655 384	Fork	1		●				
20	280.620	50 00 850 164	Cylinder	1	1st Type	●				
20	280.621	50 10 242 648	Cylinder	1	Latest Type	●				
21	280.622	50 00 850 271	Cylinder	1		●				

B18

Date

12/2015

Notes

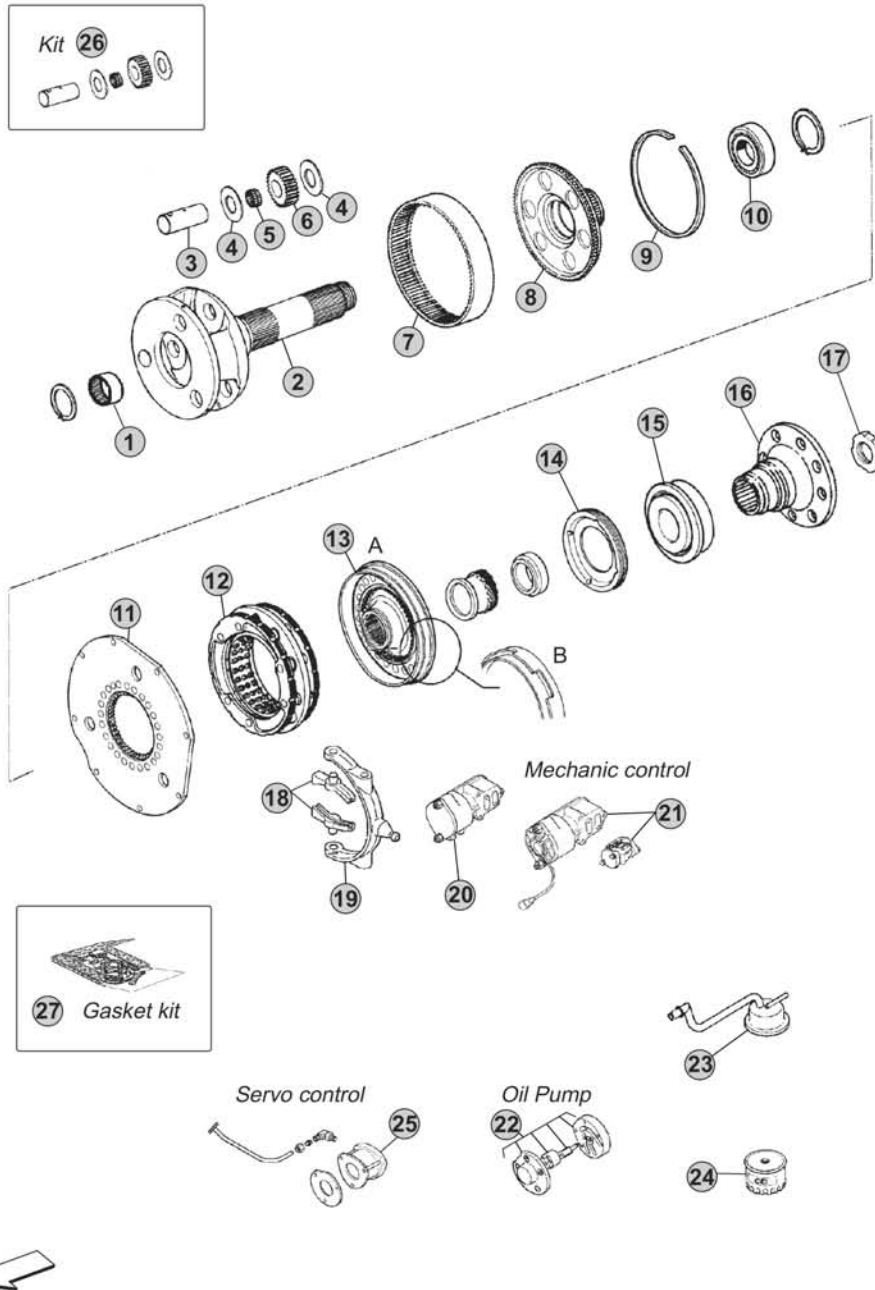
(1) Special version fitted since 1992 to 1999: AE 380/385TI/420TI/500/520 - AE Magnum 390/420TI/430/470/560 - Premium 4x2/6x2 - CBH/CLM 320/385 - "R" Series

VERSIONS:

- B18 (18 Speeds)

APPLICATIONS:

- C Series
- G Series
- MANAGER
- R Series
- PREMIUM
- MAGNUM



Our spare parts are not the originals but interchangeable with the originals ones. All original equipment manufacturers' numbers, pictures and models used in this catalogue are for reference only. Our products bear our trade-mark.

Notes

Up to 1987: 143.080 - 50 00 673 219 H : 37,00 mm N : 26 dents S : 4,94 mm
 From 1987 To 1989: 143.081 - 50 00 673 266 H : 37,00 mm N : 26 dents S : 3,34 mm
 From 1989: 143.083 - 50 10 242 997 H : 41,00 mm N : 32 dents S : 4,23 mm

Applications/Versions index

Model: **B Series**

<i>Gearboxes</i>	<i>Intermediate axles</i>	<i>Rear axles</i>
-	-	569, 669

Model: **C Series**

<i>Gearboxes</i>	<i>Intermediate axles</i>	<i>Rear axles</i>
B9, B18	P1032, P1532, P1341	P1332, P1532, P1341

Model: **G Series**

<i>Gearboxes</i>	<i>Intermediate axles</i>	<i>Rear axles</i>
B9, B18	P1032, P1532, P1341	P1332, P1532, P1341

Model: **R Series**

<i>Gearboxes</i>	<i>Intermediate axles</i>	<i>Rear axles</i>
B9, B18	P1032, P1532, P1341	P1332, P1532, P1341

Model: **MANAGER**

<i>Gearboxes</i>	<i>Intermediate axles</i>	<i>Rear axles</i>
B9, B18	-	P1332

Model: **MIDLINER**

<i>Gearboxes</i>	<i>Intermediate axles</i>	<i>Rear axles</i>
-	-	P1340, P1141A, P1541A, P1141B, P1341, P1541B, P1841, 669

Model: **MASCOTT**

<i>Gearboxes</i>	<i>Intermediate axles</i>	<i>Rear axles</i>
-	-	569, 669, M248, M273

Model: **MIDLUM**

<i>Gearboxes</i>	<i>Intermediate axles</i>	<i>Rear axles</i>
-	-	P1141A, P1541A, P1141B, P1341, P1541B, P1841, P1191, 669, P920, P1120, P1121, P1170, MS08125, MS11145, MS11150

Model: **PREMIUM**

<i>Gearboxes</i>	<i>Intermediate axles</i>	<i>Rear axles</i>
B9, B18	PMR2661, P1191	P1340, P1141A, P1541A, P1545A, P1141B, P1341, P1541B, P1841, P1342, P1345, P1361, PMR2661, P1191, P1391, P1395, P1370, MS13150, MS13170, MS17X

Model: **MAGNUM**

<i>Gearboxes</i>	<i>Intermediate axles</i>	<i>Rear axles</i>
B9, B18	-	P1541A, P1545A, P1341, P1541B, P1841, P1342, P1345, P1395, P1370, MS13170, MS17X

Model: **KERAX**

<i>Gearboxes</i>	<i>Intermediate axles</i>	<i>Rear axles</i>
B9	P1141A, P1141B, P1841B, P1845B, P1841C, P1845C, P1846A, PMR2661, PMR3361, PMR2695, PMR3395, PMR3396	P1141A, P1541A, P1545A, P1141B, P1341, P1541B, P1841, P1342, P1345, P1545B, P1845B, P1845C, P1846, P1361, PMR2661, PMR3361, P1395, PMR2695, PMR3395, PMR3396

INTERMEDIATE AXLES

Versions:

P1032 Pag. 026	P1845C Pag. 070
P1532 Pag. 026	P1846A Pag. 078
P1141A Pag. 028	PMR2661 Pag. 086
P1141B Pag. 034	PMR3361 Pag. 086
P1341 Pag. 042	P1191 Pag. 096
P1841B Pag. 042	PMR2695 Pag. 104
P1845B Pag. 052	PMR3395 Pag. 104
P1841C Pag. 062	PMR3396 Pag. 112

REAR AXLES

Versions:

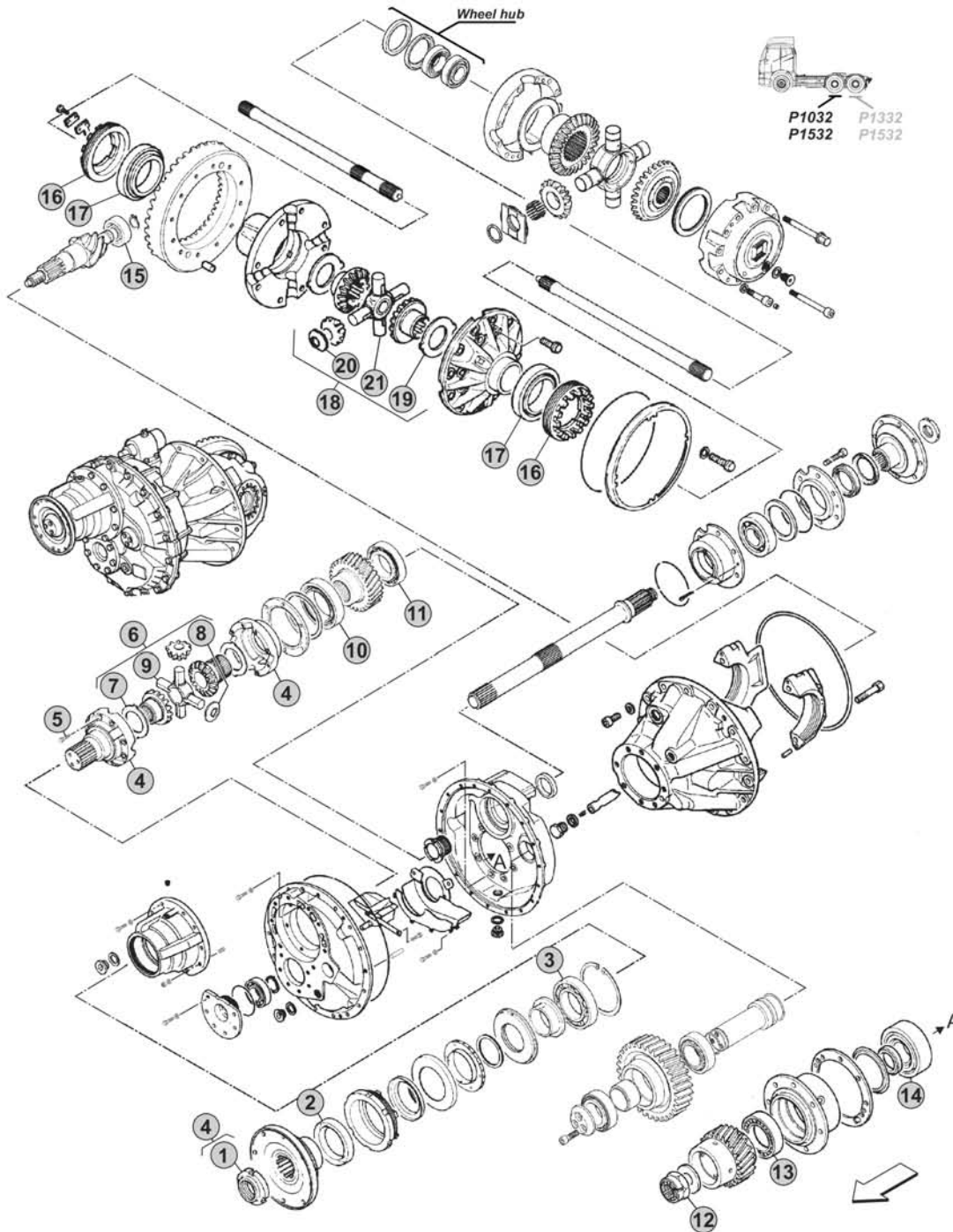
P1332 Pag. 122	P1845B Pag. 138	669 Pag. 178
P1532 Pag. 122	P1845C Pag. 138	P920 Pag. 184
P1340 Pag. 124	P1846 Pag. 144	P1120 Pag. 184
P1141A Pag. 124	P1361 Pag. 150	P1121 Pag. 184
P1541A Pag. 124	PMR2661 Pag. 150	P1170 Pag. 192
P1545A Pag. 124	PMR3361 Pag. 150	P1370 Pag. 192
P1141B Pag. 130	P1191 Pag. 158	M248 Pag. 198
P1341 Pag. 130	P1391 Pag. 158	M273 Pag. 200
P1541B Pag. 130	P1395 Pag. 164	MS08125 Pag. 202
P1841 Pag. 130	PMR2695 Pag. 164	MS11145 Pag. 208
P1342 Pag. 130	PMR3395 Pag. 164	MS11150 Pag. 214
P1345 Pag. 138	PMR3396 Pag. 170	MS13150 Pag. 218
P1545B Pag. 138		MS13170 Pag. 222
	569 Pag. 176	MS17X Pag. 226

VERSIONS:

- INTERMEDIATE P1032
- INTERMEDIATE P1532

APPLICATIONS:

- C Series
- G Series
- R Series



Notes

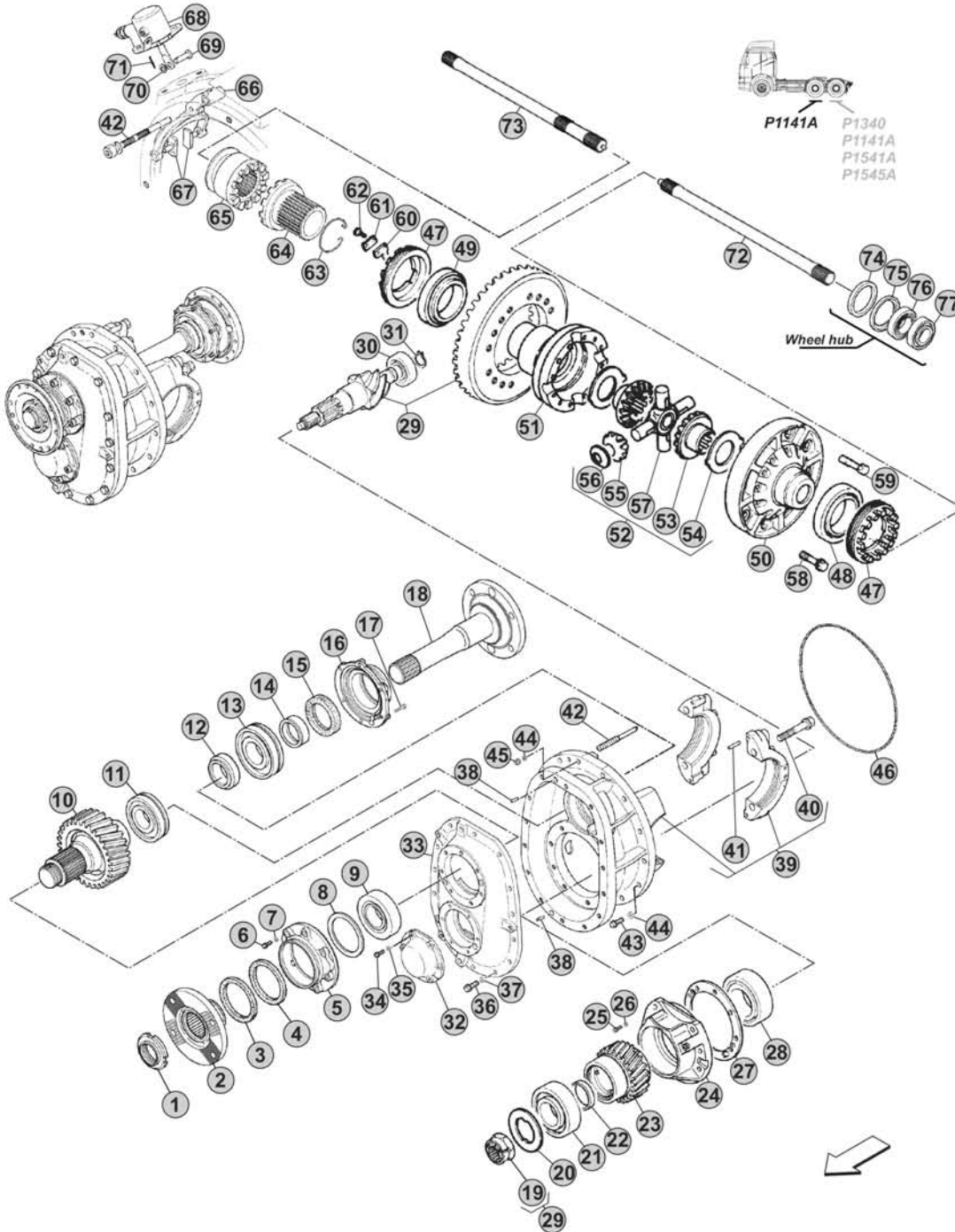
[Empty box for notes]

VERSIONS:

- INTERMEDIATE
P1141A

APPLICATIONS:

- KERAX



Notes

Our spare parts are not the originals but interchangeable with the originals ones. All original equipment manufacturers' numbers, pictures and models used in this catalogue are for reference only. Our products bear our trade-mark.

Fig.	CEI no.	RENAULT no.	Description	Q.ty	Notes	P1141A				
1	187.716	50 10 372 201	Grooved nut	1		●				
2	197.142	50 10 319 577	Flange	1		●				
3	239.050	00 24 472 624	Oil Seal	1		●				
4	239.051	50 10 319 134	Oil Seal	1		●				
5		50 00 682 100	Bearings cage	1		●				
6		74 20 920 941	Screw	7		●				
7		00 21 247 026	Washer	7		●				
8		50 00 682 102	Spacer mm. 2,50	0		●				
8		50 00 682 104	Spacer mm. 3,50	0		●				
9	130.734	50 00 682 113	Bearing	1		●				
10	105.207	50 00 682 099	Distribution shaft	1		●				
11	130.735	50 00 685 837	Bearing	1		●				
12	117.390	50 00 671 808	Bush	1		●				
13	130.736	50 00 788 402	Bearing	1		●				
14	117.391	50 00 682 329	Bush	1		●				
15	239.049	50 00 682 657	Oil Seal	1		●				
16		50 00 682 328	Bearings cage	1		●				
17		50 03 009 023	Screw	6		●				
18	170.236	50 10 319 579	Distribution drive shaft	1		●				
19	187.556	50 10 372 353	Grooved nut	1		●				
20	167.123	50 00 675 652	Washer	1		●				
21	130.737	50 10 319 374	Bearing	1		●				
22	269.902	50 00 675 653	Spacer	1		●				
23	146.640	50 10 319 275	Distribution gear	1		●				
24		50 10 319 276	Bearings cage	1		●				
25		50 03 101 241	Screw	8		●				
26		00 21 247 008	Washer	8		●				
27		50 10 241 470	Thrust washer mm. 0,25	0		●				
27		50 00 664 291	Thrust washer mm. 0,30	0		●				
27		50 00 664 292	Thrust washer mm. 0,40	0		●				
27		50 00 664 293	Thrust washer mm. 0,50	0		●				
27		50 00 664 294	Thrust washer mm. 0,60	0		●				
27		50 00 664 295	Thrust washer mm. 0,70	0		●				
27		50 00 664 296	Thrust washer mm. 1,00	0		●				
28	130.738	00 23 336 871	Bearing	1		●				
29	194.948	50 00 675 758	Crown & Pinion 16x37 R.2,31	1	(2) 100 Km/h	●				
29	194.949	50 00 675 723	Crown & Pinion 16x41 R.2,56	1	(2) 90 Km/h	●				
29	194.947	50 00 675 755	Crown & Pinion 14x41 R.2,93	1	(1) 79 Km/h	●				
29	194.946	50 00 675 752	Crown & Pinion 11x38 R.3,45	1	(1) 67 Km/h	●				
30	130.739	50 00 785 250	Bearing	1		●				
31	111.268	74 00 914 465	Seeger ring	1		●				
32		50 00 675 651	Cover	1		●				
33		50 00 682 098	Front cover	1		●				

P1141A

Date

12/2015

Notes

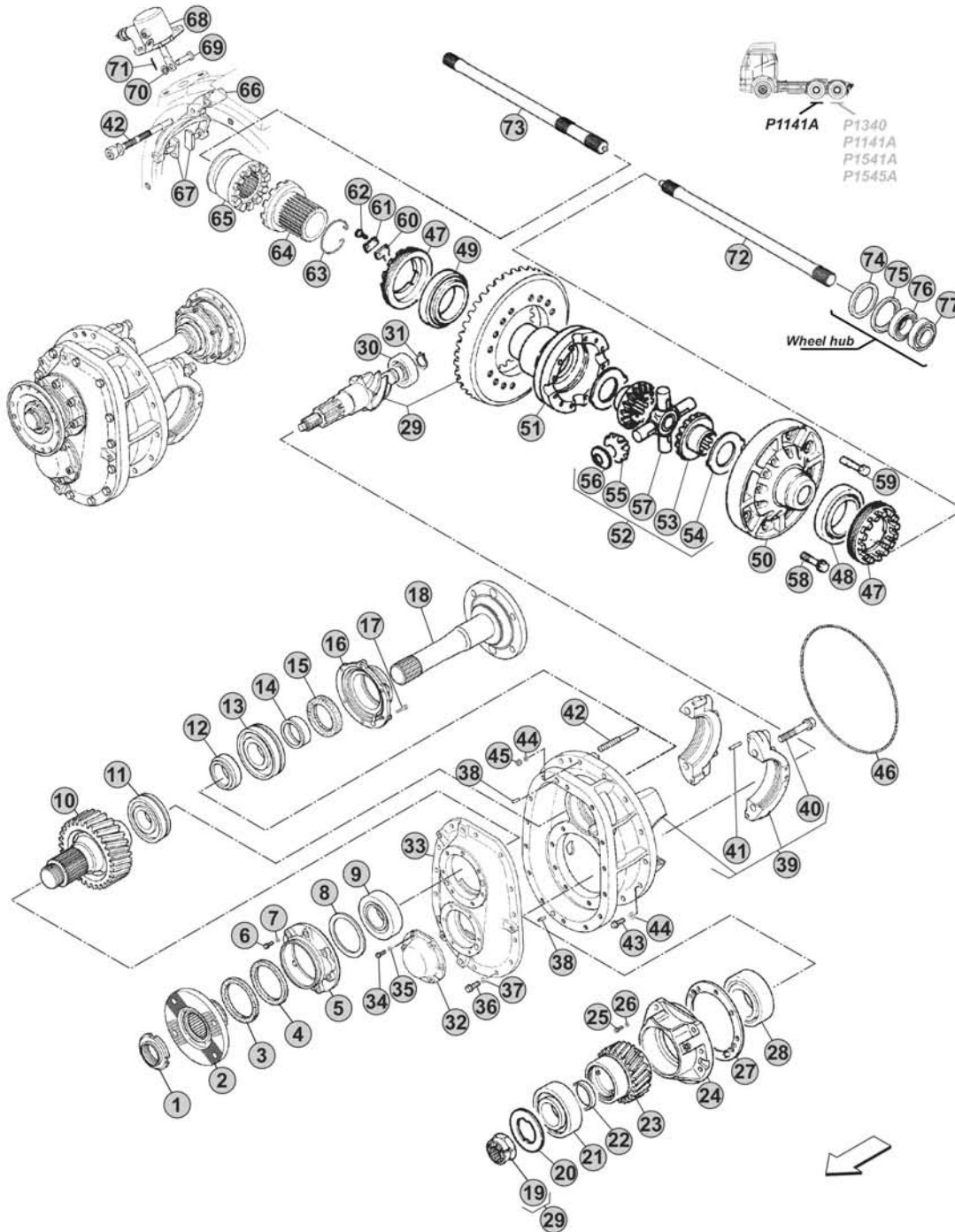
(2) To be coupled together
(1) To be coupled together

VERSIONS:

- INTERMEDIATE
P1141A

APPLICATIONS:

- KERAX



Our spare parts are not the originals but interchangeable with the originals ones. All original equipment manufacturers' numbers, pictures and models used in this catalogue are for reference only. Our products bear our trade-mark.

Notes



Our spare parts are not the originals but interchangeable with the originals ones. All original equipment manufacturers' numbers, pictures and models used in this catalogue are for reference only. Our products bear our trade-mark.

Fig.	CEI no.	RENAULT no.	Description	Q.ty	Notes	P1141A				
34		50 03 009 372	Screw	6		●				
35		74 00 994 893	Washer	6		●				
36		50 03 101 222	Screw	14		●				
37		00 21 247 007	Washer	14		●				
38		00 23 387 040	Pin	2		●				
39		50 00 682 951	Differential support housing	1		●				
40		50 00 682 919	Screw	4		●				
41		50 10 610 282	Pin	4		●				
42		50 00 664 081	Stud	1		●				
43		50 03 101 241	Screw	13		●				
44		00 00 141 014	Washer	14		●				
45		50 03 032 243	Nut	1		●				
46	139.841	09 48 360 937	O-Ring	1		●				
47	187.745	50 00 664 855	Grooved nut	2		●				
48	130.740	50 10 241 094	Bearing	1		●				
49	130.822	50 10 241 096	Bearing	1	Premium brand	●				
49	530.822	50 10 241 096	Bearing	1	Aftermarket	●				
50	175.305	50 10 534 110	Differential half housing	1	(1)	●				
50	175.307	50 10 534 111	Differential half housing	1	(2)	●				
51	175.306	50 10 534 113	Differential half housing	1		●				
52	298.037	50 00 794 101	Differential kit	1		●				
53	122.129	682189130	Differential side gear	2		●				
54	269.018	50 00 671 226	Side gear thrust washer	2		●				
55	182.094	50 10 534 646	Differential side pinion	4		●				
56	269.017	50 10 534 114	Side pinion thrust washer	4		●				
57	133.158	50 00 675 792	Differential Spider	1		●				
58	187.727	50 00 671 332	Screw	16		●				
59	187.746	50 00 682 326	Screw	12		●				
60	188.306	50 00 654 526	Lock plate	2		●				
61	188.307	00 00 184 616	Lock plate	2		●				
62	187.818	77 03 002 020	Screw	4		●				
63	111.408	50 00 671 227	Seeger ring	1		●				
64	154.401	50 00 671 457	Sleeve	1		●				
65	154.374	50 00 664 083	Block sleeve	1		●				
66		50 00 671 498	Fork	1		●				
67	141.285	50 10 611 038	Sliding pad	2		●				
68		50 10 319 698	Differential lock control	1		●				
69		50 10 292 740	Pin	1		●				
70		74 20 920 460	Washer	1		●				
71		50 03 068 082	Cotter pin	1		●				
72	170.235	50 00 675 796	Drive shaft	1		●				
72	170.234	50 10 534 077	Drive shaft	1		●				
73	170.233	50 00 675 802	Drive shaft	1		●				

P1141A

Date

12/2015

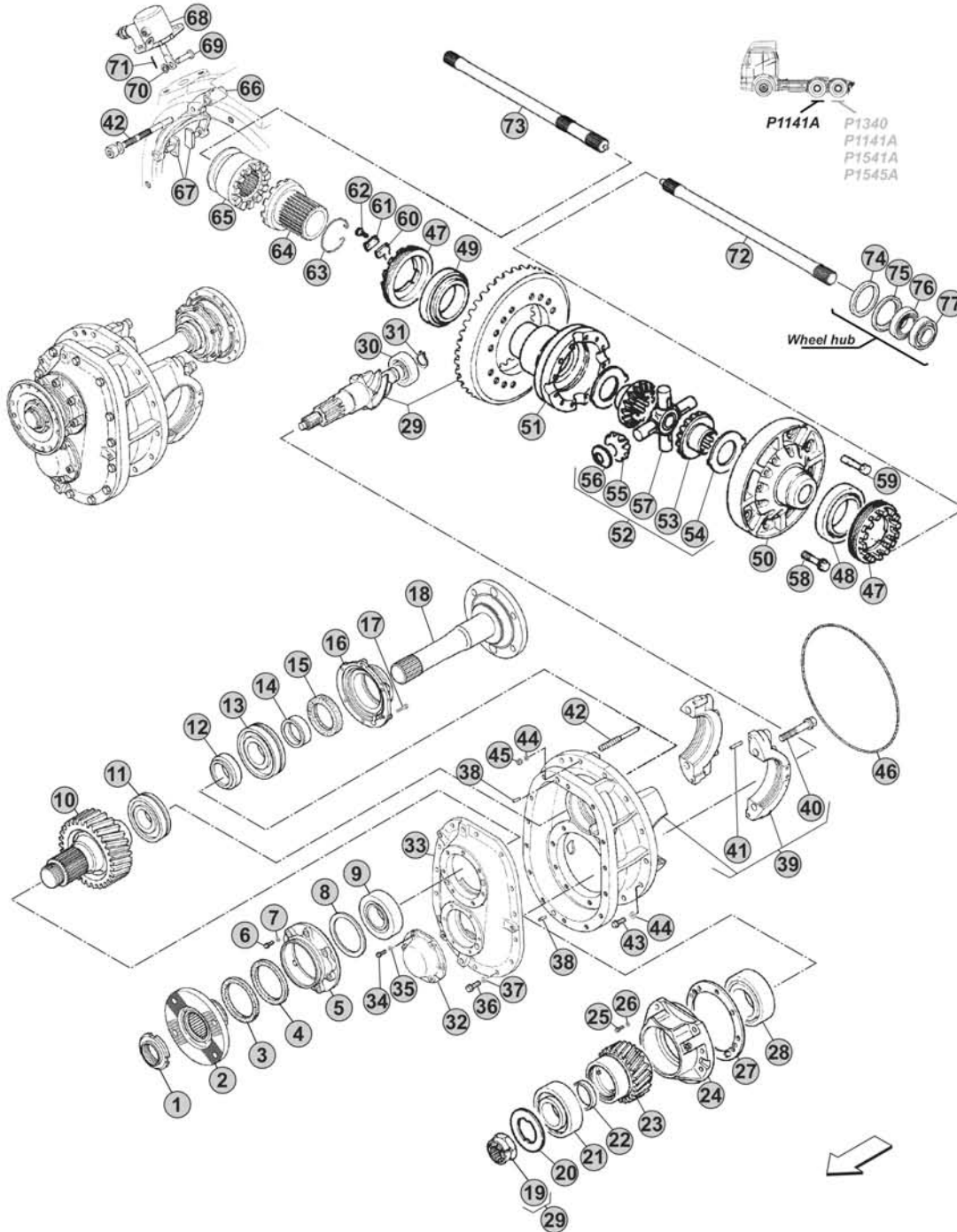
Notes(1) To be coupled together
(2) To be coupled together

VERSIONS:

- INTERMEDIATE
- P1141A

APPLICATIONS:

- KERAX



Our spare parts are not the originals but interchangeable with the originals ones. All original equipment manufacturers' numbers, pictures and models used in this catalogue are for reference only. Our products bear our trade-mark.

Notes

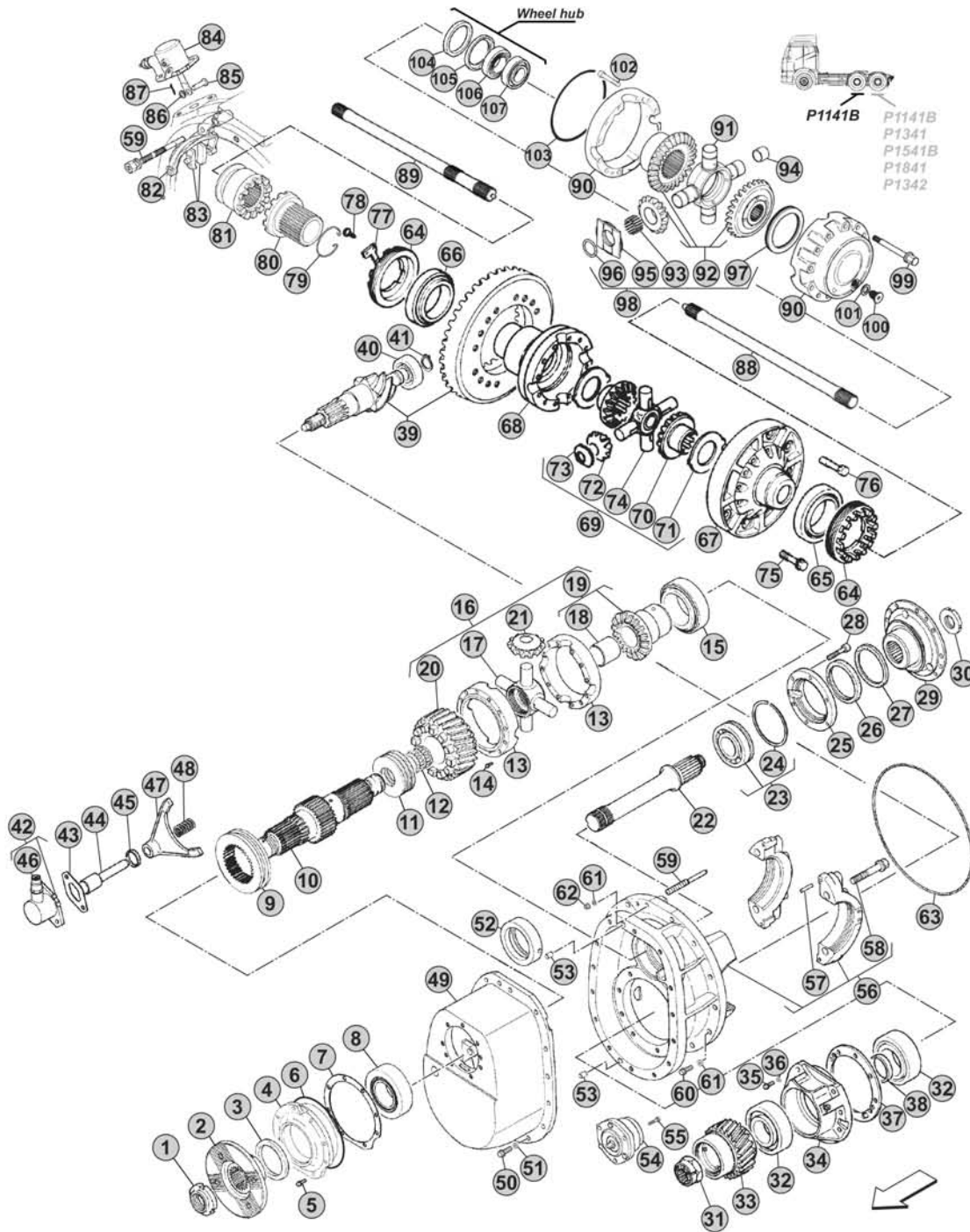


VERSIONS:

- INTERMEDIATE
P1141B

APPLICATIONS:

- KERAX



Notes

Our spare parts are not the originals but interchangeable with the originals ones. All original equipment manufacturers' numbers, pictures and models used in this catalogue are for reference only. Our products bear our trade-mark.

Fig.	CEI no.	RENAULT no.	Description	Q.ty	Notes	P1141B				
1	187.724	50 10 241 239	Nut	1		●				
2	155.228	50 10 319 125	Flange	1		●				
3	139.758	50 10 534 863	Oil Seal	1		●				
4		50 10 443 945	Bearings cage	1		●				
5		77 03 002 690	Screw	8		●				
6		50 03 065 205	O-Ring	1		●				
7		50 10 443 944	Thrust washer mm. 0,10	0		●				
7		50 10 443 943	Thrust washer mm. 0,15	0		●				
7		50 10 443 942	Thrust washer mm. 0,20	0		●				
7		50 10 443 941	Thrust washer mm. 0,30	0		●				
7		50 10 443 940	Thrust washer mm. 0,40	0		●				
7		50 10 443 939	Thrust washer mm. 0,50	0		●				
7		50 10 443 938	Thrust washer mm. 0,60	0		●				
7		50 10 443 937	Thrust washer mm. 1,00	0		●				
8	130.742	50 10 439 065	Bearing	1		●				
9	154.402	50 10 319 821	Block sleeve	1		●				
10	105.208	50 10 534 620	Distribution shaft	1		●				
11	269.089	50 00 685 989	Spacer	4		●				
12	130.743	50 10 319 917	Needle Cage	1		●				
13	175.312	50 10 611 078	Differential housing	1		●				
14		50 03 009 242	Screw	12		●				
15	130.744	74 21 260 660	Bearing	1		●				
16	298.071	50 01 863 200	Differential kit	1		●				
17	133.164	50 10 534 636	Differential Spider	1		●				
18	117.392	50 05 010 002	Bush	1		●				
19	122.154		Differential side gear	1		●				
20	145.878		Distribution gear Z 29	1		●				
21	182.112	50 10 534 637	Differential side pinion	4		●				
22	170.237	50 10 319 798	Distribution drive shaft	1		●				
23	130.736	50 00 788 402	Bearing	1		●				
24		00 00 112 428	Seeger ring	1		●				
25		50 00 664 266	Bearings cage	1		●				
26	239.052	50 10 319 135	Oil Seal	1		●				
27	239.050	00 24 472 624	Oil Seal	1		●				
28		74 20 920 941	Screw	6		●				
29	197.143	50 10 443 703	Flange	1		●				
30	287.003	50 10 319 149	Nut	1		●				
31	187.556	50 10 372 353	Grooved nut	1		●				
32	130.745	50 00 682 795	Bearing	2		●				
33	146.641	50 10 319 814	Distribution gear Z 29	1		●				
34		50 10 319 922	Bearings cage	1		●				
35		50 03 101 241	Screw	8		●				
36		00 21 247 008	Washer	8		●				

P1141B

Date

Notes

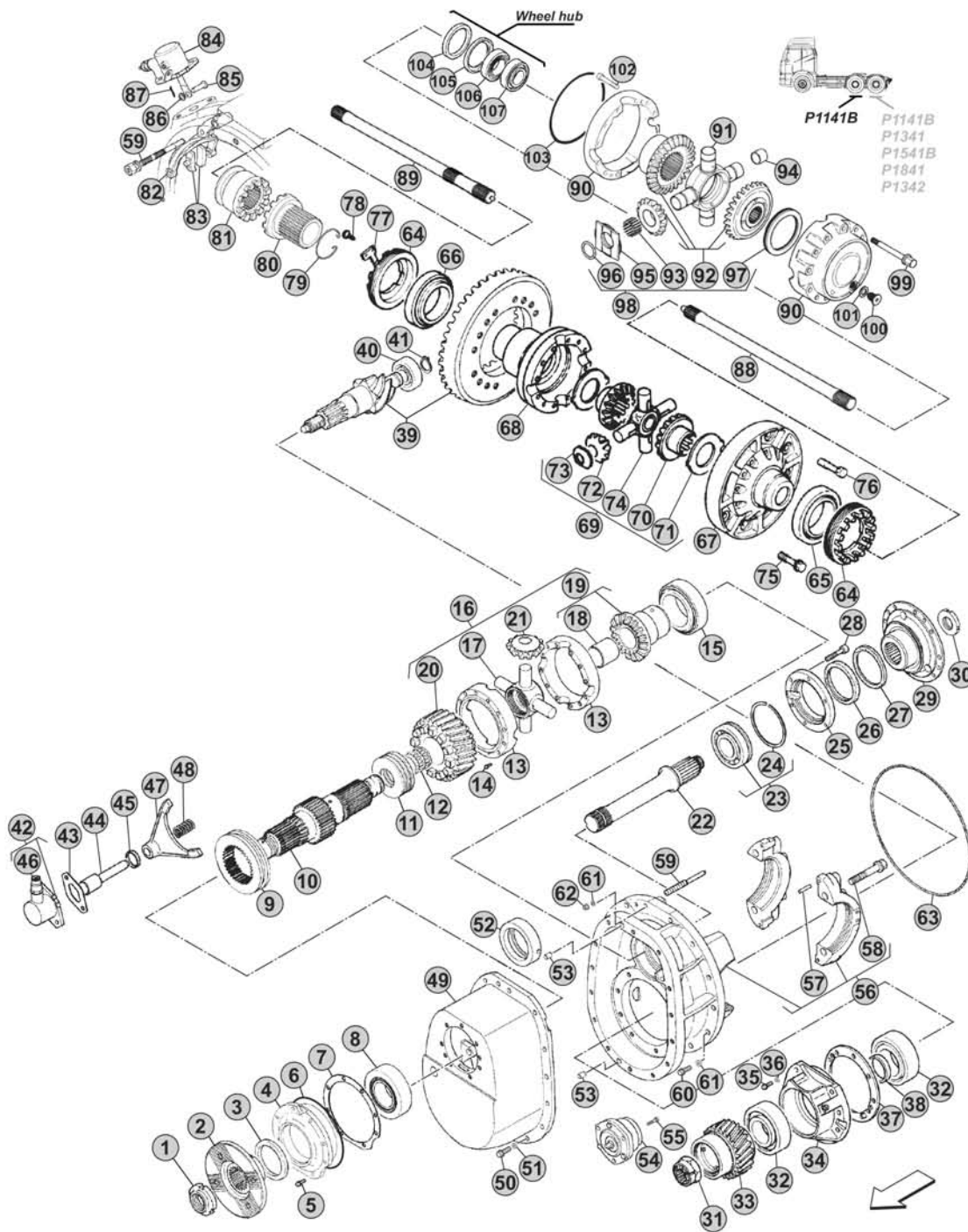
12/2015

VERSIONS:

- INTERMEDIATE
- P1141B

APPLICATIONS:

- KERAX



Notes

[Blank area for notes]

Our spare parts are not the originals but interchangeable with the originals ones. All original equipment manufacturers' numbers, pictures and models used in this catalogue are for reference only. Our products bear our trade-mark.

Fig.	CEI no.	RENAULT no.	Description	Q.ty	Notes	P1141B				
37		50 10 443 624	Thrust washer mm. 0,25	0		●				
37		50 10 443 625	Thrust washer mm. 0,30	0		●				
37		50 10 443 626	Thrust washer mm. 0,40	0		●				
37		50 10 443 627	Thrust washer mm. 0,50	0		●				
37		50 10 443 628	Thrust washer mm. 0,60	0		●				
37		50 10 443 629	Thrust washer mm. 0,70	0		●				
37		50 10 443 630	Thrust washer mm. 1,00	0		●				
38	269.334	50 00 664 148	Spacer mm. 15,10	0		●				
38	269.335	50 00 664 149	Spacer mm. 15,60	0		●				
38		50 00 664 150	Spacer mm. 16,00	0		●				
39	194.953	50 10 443 865	Crown & Pinion 19x37 R.1,95	1	(3) 100 Km/h	●				
39	194.956	50 10 443 581	Crown & Pinion 17x35 R.2,06	1	(3) 95 Km/h	●				
39	194.954	50 10 443 869	Crown & Pinion 17x37 R.2,18	1	(3) 89 Km/h	●				
39	194.955	50 10 443 564	Crown & Pinion 16x37 R.2,31	1	(2) 84 Km/h	●				
39	194.839	50 10 443 562	Crown & Pinion 16x41 R.2,56	1	(2) 76 Km/h	●				
39	194.950	50 10 443 560	Crown & Pinion 14x41 R.2,93	1	(1) 66 Km/h	●				
39	194.951	50 10 443 787	Crown & Pinion 13x41 R.3,15	1	(1) 62 Km/h	●				
39	194.952	50 10 443 558	Crown & Pinion 11x38 R.3,45	1	(1) 56 Km/h	●				
40	130.739	50 00 785 250	Bearing	1		●				
41	111.268	74 00 914 465	Seeger ring	1		●				
42		50 10 443 728	Differential lock control	1		●				
43		50 10 534 386	Spacer mm. 1,50	0		●				
43		50 10 534 387	Spacer mm. 2,00	0		●				
43		50 10 534 388	Spacer mm. 2,50	0		●				
43		50 10 534 389	Spacer mm. 3,00	0		●				
43		50 10 534 390	Spacer mm. 3,50	0		●				
43		50 10 534 391	Spacer mm. 4,00	0		●				
43		50 10 534 392	Spacer mm. 4,50	0		●				
44		50 10 319 810	Gear shift rail	1		●				
45		50 10 241 099	Seal ring	1		●				
46		50 10 306 719	Sensor	1		●				
47	141.212	50 10 319 824	Fork	1		●				
48		00 00 190 092	Spring	1		●				
49		50 10 443 916	Front cover	1		●				
50		50 03 101 222	Screw	15		●				
51		50 03 057 048	Washer	15		●				
52		50 10 443 935	Joint	1		●				
53		00 23 387 040	Pin	2		●				
54		50 10 443 936	Oil Pump	1		●				
55		77 03 002 949	Screw	3		●				
56		50 10 319 932	Differential support housing	1		●				
57		50 10 610 282	Pin	4		●				
58		00 00 192 293	Screw	4		●				

P1141B

Date

12/2015

Notes

(3) To be coupled together

(2) To be coupled together

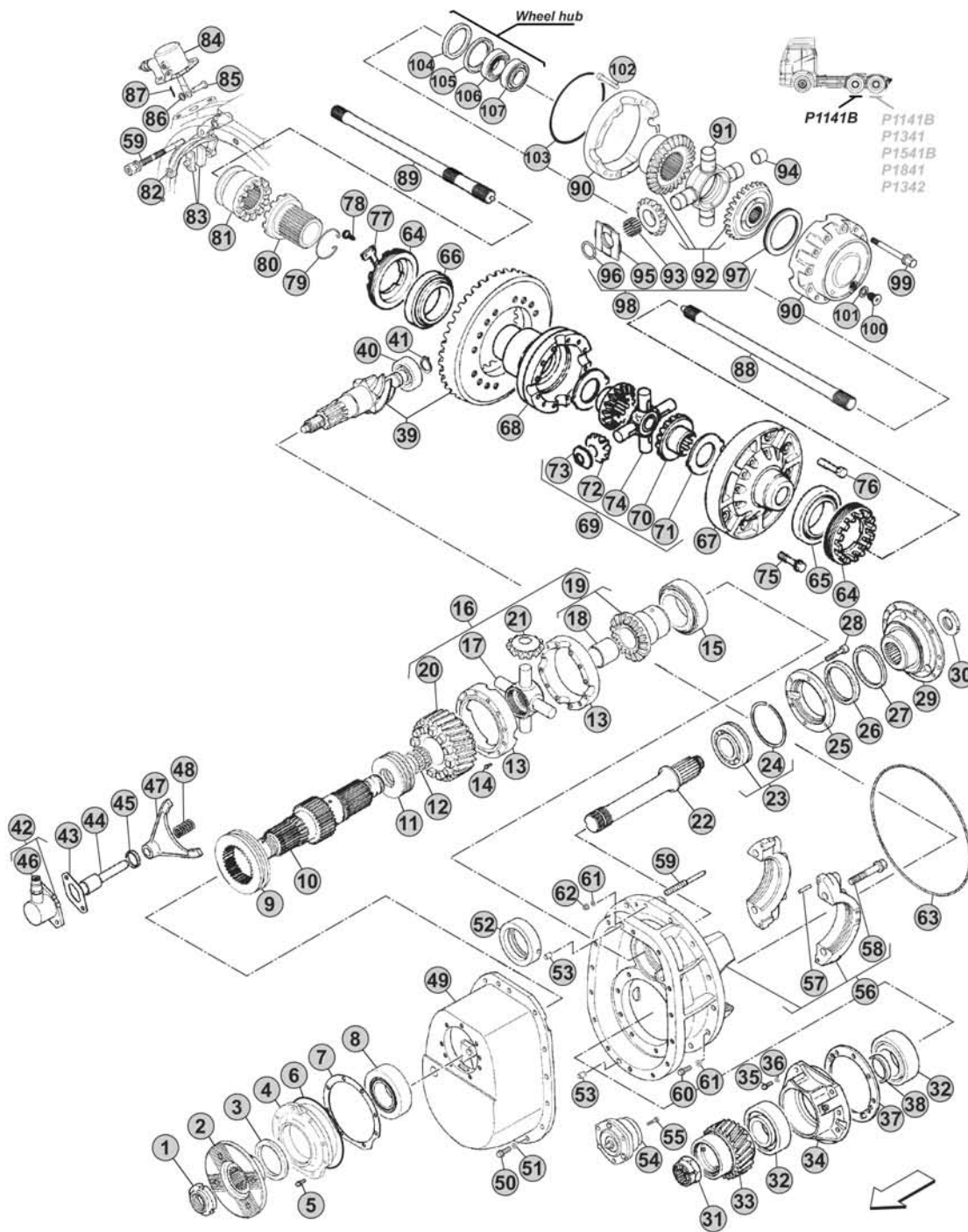
(1) To be coupled together

VERSIONS:

- INTERMEDIATE
- P1141B

APPLICATIONS:

- KERAX



Notes

Our spare parts are not the originals but interchangeable with the originals ones. All original equipment manufacturers' numbers, pictures and models used in this catalogue are for reference only. Our products bear our trade-mark.

Fig.	CEI no.	RENAULT no.	Description	Q.ty	Notes	P1141B			
59		50 00 664 081	Stud	1		●			
60		50 03 101 633	Screw	14		●			
61		00 21 247 008	Washer	15		●			
62		50 03 032 243	Nut	1		●			
63	139.841	09 48 360 937	O-Ring	1		●			
64	187.745	50 00 664 855	Grooved nut	2		●			
65	130.740	50 10 241 094	Bearing	1		●			
66	130.822	50 10 241 096	Bearing	1	Premium brand	●			
66	530.822	50 10 241 096	Bearing	1	Aftermarket	●			
67	175.305	50 10 534 110	Differential half housing	1	(1)	●			
67	175.307	50 10 534 111	Differential half housing	1	(2)	●			
67	175.295	50 10 534 112	Differential half housing	1	(3)	●			
68	175.306	50 10 534 113	Differential half housing	1		●			
69	298.037	50 00 794 101	Differential kit	1	Z16 - Z11	●			
69	298.044	50 01 857 599	Differential kit	1	Z14 - Z9	●			
70	122.129	682189130	Differential side gear	2	Z16	●			
70	122.174	50 10 443 927	Differential side gear	2	Z14	●			
71	269.018	50 00 671 226	Side gear thrust washer	2		●			
72	182.094	50 10 534 646	Differential side pinion	4	Z11	●			
72	182.112	50 10 534 637	Differential side pinion	4	Z9	●			
73	269.017	50 10 534 114	Side pinion thrust washer	4		●			
74	133.158	50 00 675 792	Differential Spider	1		●			
75	187.727	50 00 671 332	Screw	16		●			
76	187.746	50 00 682 326	Screw	12		●			
77	188.306	50 00 654 526	Lock plate	2		●			
78	187.818	77 03 002 020	Screw	4		●			
79	111.408	50 00 671 227	Seeger ring	1		●			
80	154.401	50 00 671 457	Sleeve	1		●			
81	154.374	50 00 664 083	Block sleeve	1		●			
82		50 00 671 498	Fork	1		●			
83	141.285	50 10 611 038	Sliding pad	2		●			
84		50 10 319 698	Differential lock control	1		●			
85		50 10 292 740	Pin	1		●			
86		74 20 920 460	Washer	1		●			
87		50 03 068 082	Cotter pin	1		●			
88	170.235	50 00 675 796	Drive shaft	1		●			
88	170.234	50 10 534 077	Drive shaft	1		●			
89	170.233	50 00 675 802	Drive shaft	1		●			
89	170.232	50 10 534 082	Drive shaft	1		●			
90	175.314	50 00 664 413	Wheel reduction housing	1		●			
91	133.166	50 10 534 987	Wheel reduction gear spider	1		●			
92	298.109	50 00 849 420	Wheel reduction gear kit	1		●			
93	171.089	50 10 443 947	Needle	0		●			

P1141B

Date

12/2015

Notes

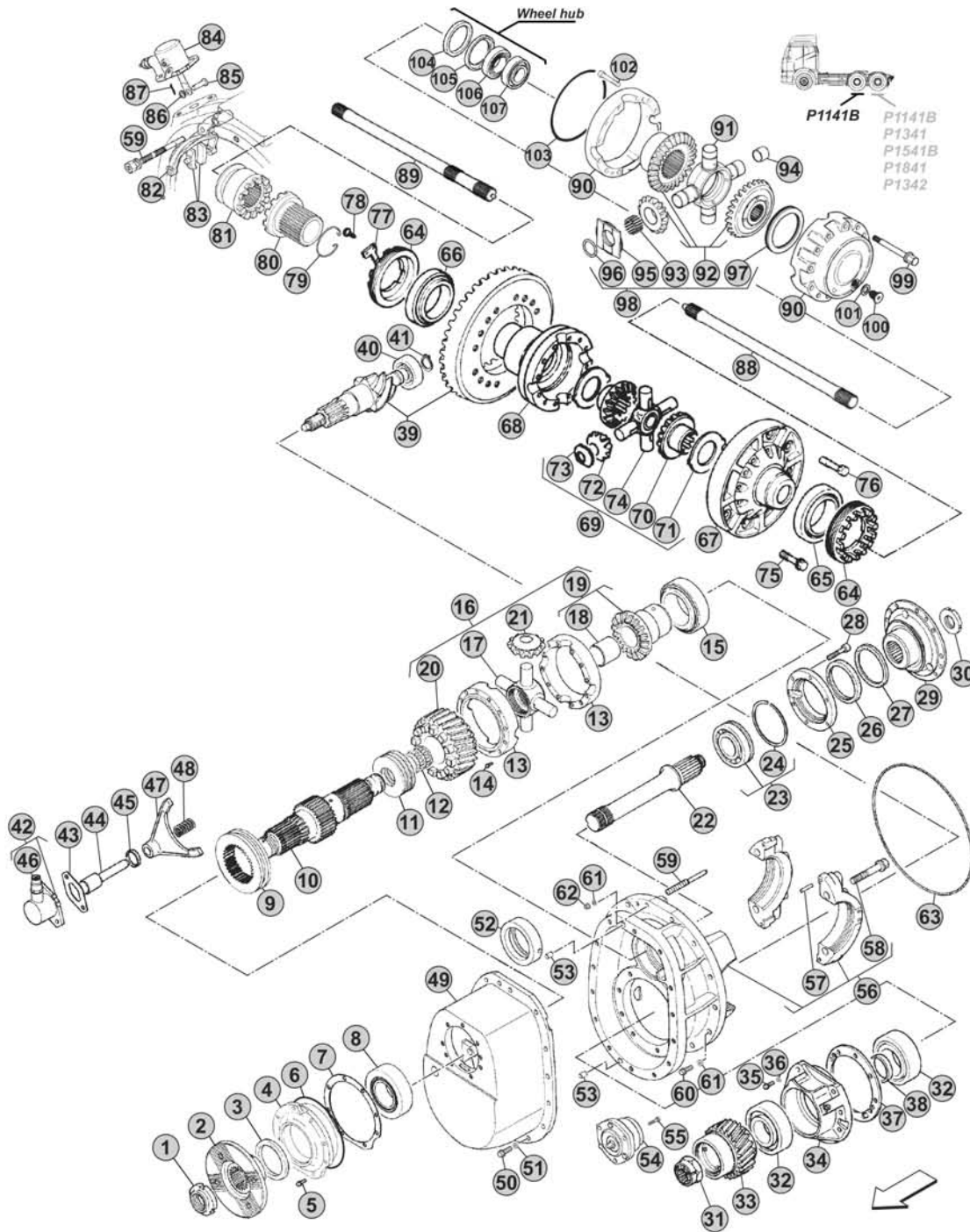
- (1) To be coupled together
 (2) To be coupled together
 (3) To be coupled together

VERSIONS:

- INTERMEDIATE
- P1141B

APPLICATIONS:

- KERAX



Notes

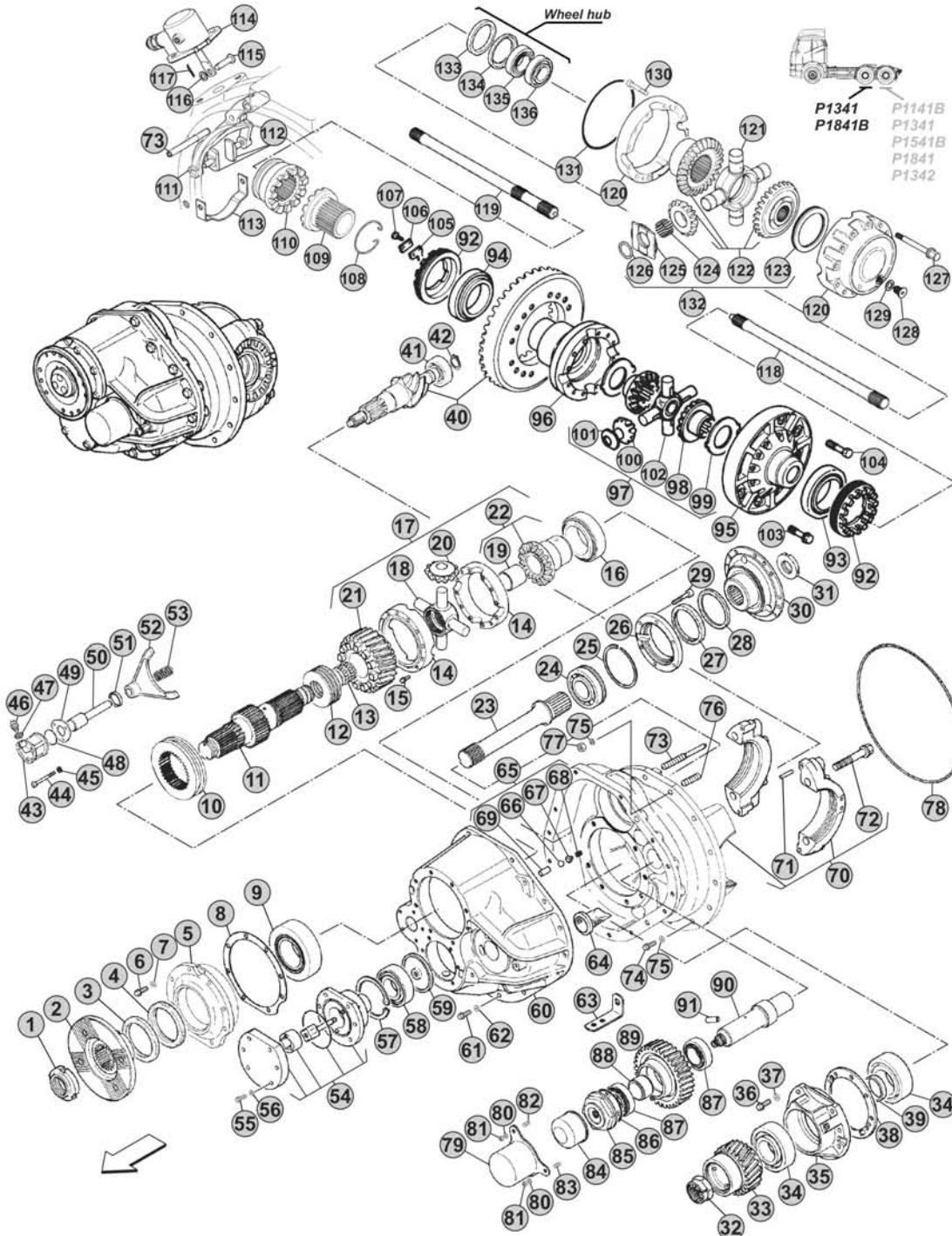
[Blank area for notes]

VERSIONS:

- INTERMEDIATE P1341
- INTERMEDIATE P1841B

APPLICATIONS:

- C Series (P1341)
- G Series (P1341)
- R Series (P1341)
- KERAX (P1841B)



Notes

Our spare parts are not the originals but interchangeable with the originals ones. All original equipment manufacturers' numbers, pictures and models used in this catalogue are for reference only. Our products bear our trade-mark.

Fig.	CEI no.	RENAULT no.	Description	Q.ty	Notes	P1341	P1841B			
1	187.716	50 10 372 201	Grooved nut	1		●	●			
2	197.292	50 00 664 311	Flange	1		●				
2	197.144	50 00 685 869	Flange	1			●			
3	239.050	00 24 472 624	Oil Seal	1		●	●			
4	239.051	50 10 319 134	Oil Seal	1		●	●			
5		50 00 664 262	Bearings cage	1		●	●			
6		74 20 920 941	Screw	8		●	●			
7		74 20 920 915	Washer	8		●	●			
8		50 00 664 297	Thrust washer mm. 0,10	0		●	●			
8		50 00 664 298	Thrust washer mm. 0,15	0		●	●			
8		50 00 664 299	Thrust washer mm. 0,20	0		●	●			
8		50 00 664 300	Thrust washer mm. 0,30	0		●	●			
8		50 00 664 301	Thrust washer mm. 0,40	0		●	●			
8		50 00 664 302	Thrust washer mm. 0,50	0		●	●			
8		50 00 664 303	Thrust washer mm. 0,60	0		●	●			
8		50 00 664 304	Thrust washer mm. 1,00	0		●	●			
9	130.746	00 23 336 872	Bearing	1		●	●			
10	154.403	50 00 664 260	Block sleeve	1		●	●			
11	105.209	50 10 319 148	Distribution shaft	1		●	●			
12	269.089	50 00 685 989	Spacer	4		●	●			
13	130.747	50 00 685 990	Needle Cage	1		●	●			
14	175.312	50 10 611 078	Differential housing	1		●	●			
15		50 03 009 242	Screw	12		●	●			
16	130.748	50 00 788 406	Bearing	1		●	●			
17	298.072	50 01 863 408	Differential kit	1		●	●			
18	133.164	50 10 534 636	Differential Spider	1		●	●			
19	117.392	50 05 010 002	Bush	1		●	●			
20	182.094	50 10 534 646	Differential side pinion	2		●	●			
21	145.948	50 00 685 988	Distribution gear Z 28	1		●	●			
22	122.152		Differential side gear	1		●	●			
23	170.350	50 00 664 261	Distribution drive shaft	1		●				
23	170.238	50 10 319 216	Distribution drive shaft	1			●			
24	130.736	50 00 788 402	Bearing	1		●	●			
25		00 00 112 428	Seeger ring	1		●	●			
26		50 00 664 266	Bearings cage	1		●	●			
27	239.052	50 10 319 135	Oil Seal	1		●	●			
28	239.050	00 24 472 624	Oil Seal	1		●	●			
29		74 20 920 941	Screw	6		●	●			
30	197.293	50 00 664 307	Flange	1		●				
30	197.145	50 10 319 581	Flange	1			●			
31	287.003	50 10 319 149	Nut	1		●	●			
32	287.004	50 00 664 043	Nut	1		●	●			
33	146.642	50 00 664 246	Distribution gear Z 28	1		●	●			

P1341 - P1841B

Date

12/2015

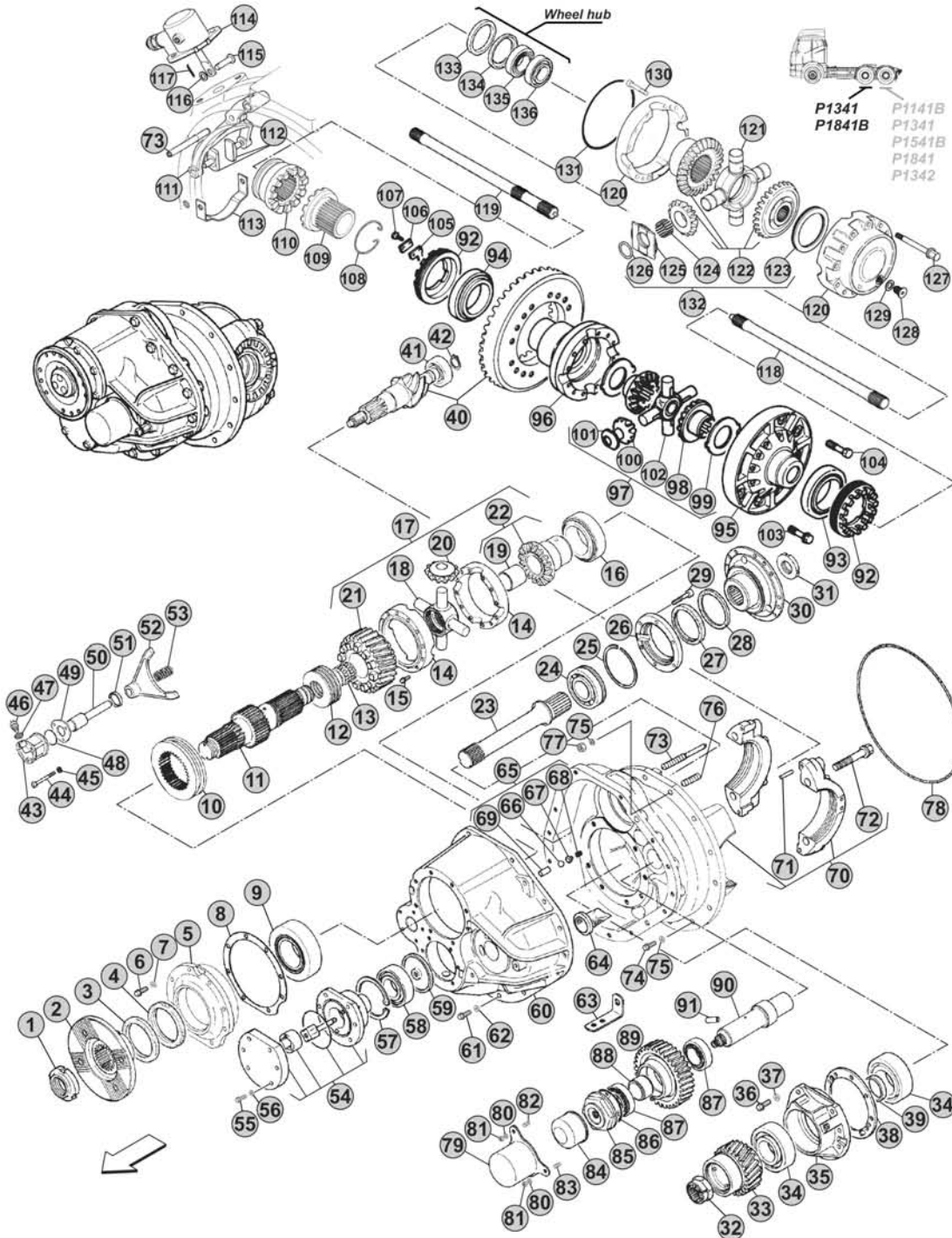
Notes

VERSIONS:

- INTERMEDIATE P1341
- INTERMEDIATE P1841B

APPLICATIONS:

- C Series (P1341)
- G Series (P1341)
- R Series (P1341)
- KERAX (P1841B)



Notes

Our spare parts are not the originals but interchangeable with the originals ones. All original equipment manufacturers' numbers, pictures and models used in this catalogue are for reference only. Our products bear our trade-mark.

Fig.	CEI no.	RENAULT no.	Description	Q.ty	Notes	P1341	P1841B			
34	130.745	50 00 682 795	Bearing	2		●	●			
35		50 00 664 305	Bearings cage	1		●	●			
36		50 03 101 241	Screw	8		●	●			
37		00 21 247 008	Washer	8		●	●			
38		50 10 241 470	Thrust washer mm. 0,25	0		●	●			
38		50 00 664 291	Thrust washer mm. 0,30	0		●	●			
38		50 00 664 292	Thrust washer mm. 0,40	0		●	●			
38		50 00 664 293	Thrust washer mm. 0,50	0		●	●			
38		50 00 664 294	Thrust washer mm. 0,60	0		●	●			
38		50 00 664 295	Thrust washer mm. 0,70	0		●	●			
38		50 00 664 296	Thrust washer mm. 1,00	0		●	●			
39	269.334	50 00 664 148	Spacer mm. 15,10	0		●	●			
39	269.335	50 00 664 149	Spacer mm. 15,60	0		●	●			
39		50 00 664 150	Spacer mm. 16,00	0		●	●			
40	194.957	50 10 534 703	Crown & Pinion 19x37 R.1,95	1	(1) 100 Km/h		●			
40	194.958	50 00 682 307	Crown & Pinion 17x35 R.2,06	1	(1) 95 Km/h		●			
40	194.959	50 10 241 049	Crown & Pinion 17x37 R.2,18	1	(1) 89 Km/h		●			
40	194.960	50 00 682 301	Crown & Pinion 16x37 R.2,31	1	(2) 84 Km/h		●			
40	194.961	50 00 682 286	Crown & Pinion 17x41 R.2,41	1	(2) 81 Km/h	●	●			
40	194.962	50 00 682 280	Crown & Pinion 16x41 R.2,56	1	(2) 76 Km/h	●	●			
40	194.963	50 00 682 353	Crown & Pinion 14x38 R.2,71	1	(3) 72 Km/h		●			
40	194.964	50 00 682 274	Crown & Pinion 14x41 R.2,93	1	(3) 66 Km/h	●	●			
40	194.965	50 00 682 350	Crown & Pinion 13x41 R.3,15	1	(3) 62 Km/h	●	●			
40	294.330	50 00 682 368	Crown & Pinion 12x41 R.3,42	1	(3) 57 Km/h	●				
40	194.966	50 00 682 265	Crown & Pinion 11x38 R.3,45	1	(3) 56 Km/h		●			
40	194.967	50 00 682 033	Crown & Pinion 11x41 R.3,73	1	(3) 52 Km/h		●			
41	130.739	50 00 785 250	Bearing	1		●	●			
42	111.268	74 00 914 465	Seeger ring	1		●	●			
43	280.500	50 00 690 188	Cylinder	1		●	●			
44		50 03 001 804	Screw	3		●	●			
45		50 03 057 049	Washer	3		●	●			
46		50 10 135 701	Sensor	1		●	●			
46		50 10 306 372	Sensor	1		●	●			
47		50 00 653 084	Bush	1	(5)	●	●			
48		00 24 427 472	O-Ring	1		●	●			
49		50 00 655 709	Spacer mm. 1,50	0		●	●			
49		50 00 655 523	Spacer mm. 2,00	0		●	●			
49		50 00 655 524	Spacer mm. 2,50	0		●	●			
49		50 00 655 525	Spacer mm. 3,00	0		●	●			
49		50 00 655 526	Spacer mm. 3,50	0		●	●			
49		50 00 655 527	Spacer mm. 4,00	0		●	●			
50		50 00 682 994	Gear shift rail	1		●	●			
51		50 10 241 099	Seal ring	1		●	●			

P1341 - P1841B

Date

12/2015

Notes

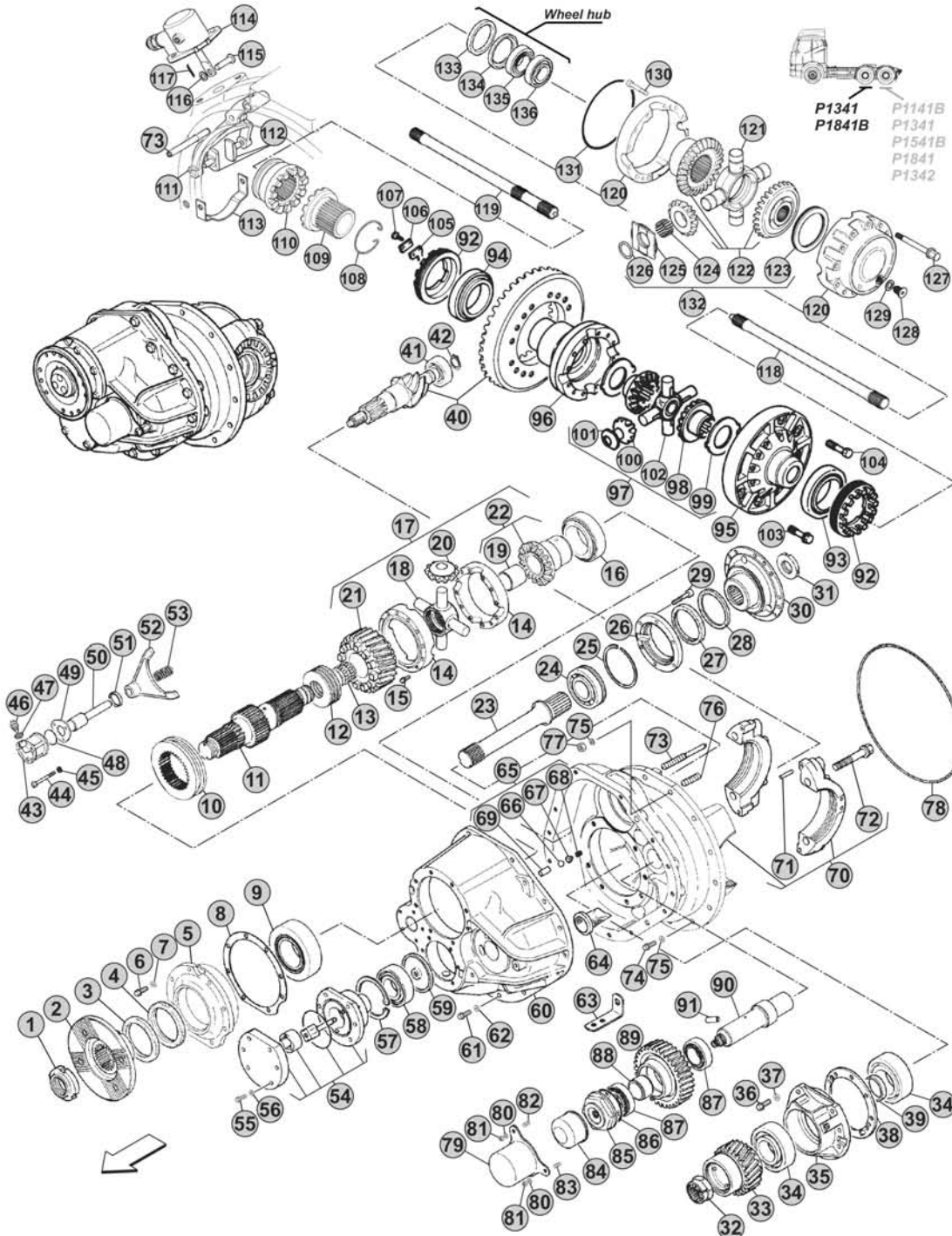
- (1) To be coupled together
 (2) To be coupled together
 (3) To be coupled together
 (5) For sensor OEM no. 50 10 135 701 (Pos. 46)

VERSIONS:

- INTERMEDIATE P1341
- INTERMEDIATE P1841B

APPLICATIONS:

- C Series (P1341)
- G Series (P1341)
- R Series (P1341)
- KERAX (P1841B)



Notes

Our spare parts are not the originals but interchangeable with the originals ones. All original equipment manufacturers' numbers, pictures and models used in this catalogue are for reference only. Our products bear our trade-mark.

Fig.	CEI no.	RENAULT no.	Description	Q.ty	Notes	P1341	P1841B			
52	141.213	50 00 664 273	Fork	1		●	●			
53		00 00 190 092	Spring	1		●	●			
54		50 00 671 315	Oil Pump	1		●	●			
55		50 03 101 732	Screw	6		●	●			
56	167.007	50 03 057 046	Washer	6		●	●			
57		77 03 066 053	Seeger ring	1		●	●			
58		50 00 787 226	Bearing	1		●	●			
59		50 10 241 105	Oil pump carrier	1		●	●			
60		50 00 682 876	Front cover	1		●	●			
61		50 03 101 222	Screw	15		●	●			
62		50 03 057 048	Washer	15		●	●			
63		00 00 472 122	Bracket	1		●	●			
64		50 00 682 166	Oil Deflector	1		●	●			
65		50 00 671 902	Valve	1		●	●			
66		09 79 101 400	Ball	1		●	●			
67		50 00 671 122	Spring seat	1		●	●			
68		06 05 077 700	Spring	1		●	●			
69		00 23 387 040	Pin	2		●	●			
70		50 00 682 877	Differential support housing	1		●	●			
71		50 10 610 282	Pin	4		●	●			
72		00 00 192 293	Screw	4		●	●			
73		50 00 664 081	Stud	1		●	●			
74		50 03 101 241	Screw	12		●	●			
75		00 21 247 008	Washer	14		●	●			
76		50 03 027 704	Stud	1		●				
76		50 03 027 443	Stud	1			●			
77		50 03 032 243	Nut	2		●	●			
78	139.841	09 48 360 937	O-Ring	1		●	●			
79		50 00 671 322	Cover	1		●	●			
80		74 20 920 915	Washer	3		●	●			
81	187.576	50 03 032 240	Nut	3		●	●			
82		50 00 664 345	Stud	1		●	●			
83		50 03 027 289	Stud	2		●	●			
84	189.628	50 10 372 044	Oil filter	1		●	●			
85		50 00 664 272	Nut	1		●	●			
86		50 03 065 017	O-Ring	1		●	●			
87	130.557	50 00 669 957	Bearing	2	Premium brand	●	●			
87	530.557	50 00 669 957	Bearing	2	Aftermarket	●	●			
88		50 00 664 280	Spacer L. 45,00 mm.	0		●	●			
88		50 00 664 281	Spacer L. 45,50 mm.	0		●	●			
88		50 00 664 282	Spacer L. 46,00 mm.	0		●	●			
89	244.227	50 00 664 245	Gear Z 33	1		●	●			
90		50 00 671 645	Pin	1		●	●			

P1341 - P1841B

Date

Notes

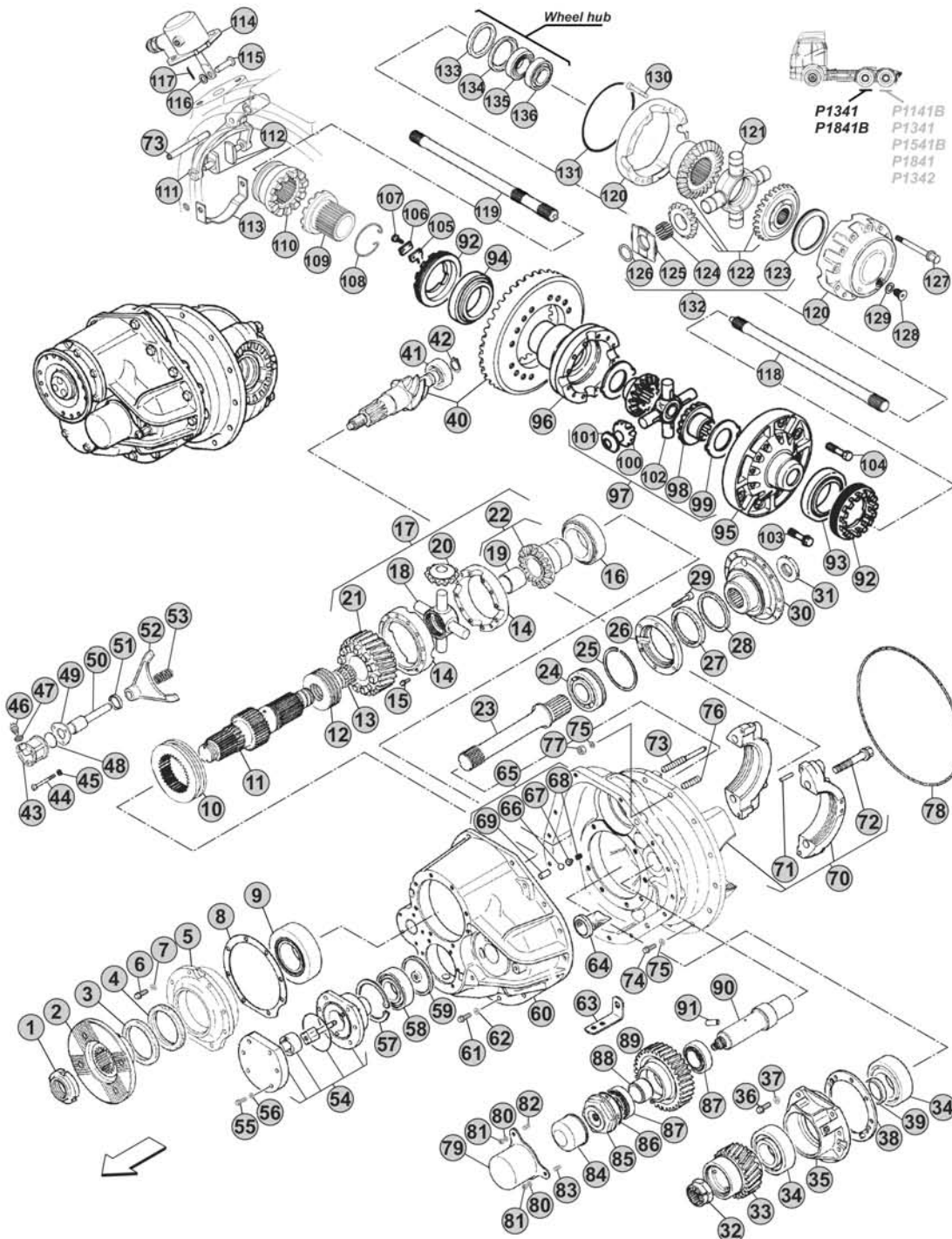
12/2015

VERSIONS:

- INTERMEDIATE P1341
- INTERMEDIATE P1841B

APPLICATIONS:

- C Series (P1341)
- G Series (P1341)
- R Series (P1341)
- KERAX (P1841B)



Notes

Our spare parts are not the originals but interchangeable with the originals ones. All original equipment manufacturers' numbers, pictures and models used in this catalogue are for reference only. Our products bear our trade-mark.

Fig.	CEI no.	RENAULT no.	Description	Q.ty	Notes	P1341	P1841B			
91		50 00 664 271	Pin	1		●	●			
92	187.745	50 00 664 855	Grooved nut	2		●	●			
93	130.740	50 10 241 094	Bearing	1		●	●			
94	130.822	50 10 241 096	Bearing	1	Premium brand	●	●			
94	530.822	50 10 241 096	Bearing	1	Aftermarket	●	●			
95	175.295	50 10 534 112	Differential half housing	1	(1)		●			
95	175.307	50 10 534 111	Differential half housing	1	(2)	●	●			
95	175.305	50 10 534 110	Differential half housing	1	(3)	●	●			
96	175.306	50 10 534 113	Differential half housing	1		●	●			
97	298.037	50 00 794 101	Differential kit	1		●	●			
98	122.129	682189130	Differential side gear	2		●	●			
99	269.018	50 00 671 226	Side gear thrust washer	2		●	●			
100	182.094	50 10 534 646	Differential side pinion	4		●	●			
101	269.017	50 10 534 114	Side pinion thrust washer	4		●	●			
102	133.158	50 00 675 792	Differential Spider	1		●	●			
103	187.727	50 00 671 332	Screw	16		●	●			
104	187.746	50 00 682 326	Screw	12		●	●			
105	188.306	50 00 654 526	Lock plate	2		●	●			
106	188.307	00 00 184 616	Lock plate	2		●	●			
107	187.818	77 03 002 020	Screw	4		●	●			
108	111.408	50 00 671 227	Seeger ring	1		●	●			
109	154.401	50 00 671 457	Sleeve	1		●	●			
110	154.249	50 10 443 227	Block sleeve	1			●			
110	154.374	50 00 664 083	Block sleeve	1	(4)	●	●			
111		50 10 534 099	Fork	1			●			
111		50 00 685 685	Fork	1	(4)	●	●			
112	141.197	50 00 664 011	Sliding pad	2		●				
112	141.285	50 10 611 038	Sliding pad	2			●			
113		50 00 664 012	Support	1		●	●			
114		50 10 319 858	Differential lock control	1		●				
114		50 10 244 374	Differential lock control	1			●			
114		50 10 319 698	Differential lock control	1	(4)		●			
115		50 10 292 740	Pin	1	(4)	●	●			
116		74 20 920 460	Washer	1	(4)	●	●			
117		50 03 068 082	Cotter pin	1	(4)	●	●			
118	170.223	50 00 675 990	Drive shaft	1		●	●			
118	170.242	50 10 534 086	Drive shaft	1			●			
119	170.239	50 00 682 748	Drive shaft	1		●	●			
119	170.240	50 10 534 092	Drive shaft	1			●			
120	175.314	50 00 664 413	Wheel reduction housing	1		●	●			
121	133.166	50 10 534 987	Wheel reduction gear spider	1		●	●			
122	298.109	50 00 849 420	Wheel reduction gear kit	1		●	●			
123	130.447	50 10 611 109	Bearing	1		●	●			

P1341 - P1841B

Date

12/2015

Notes

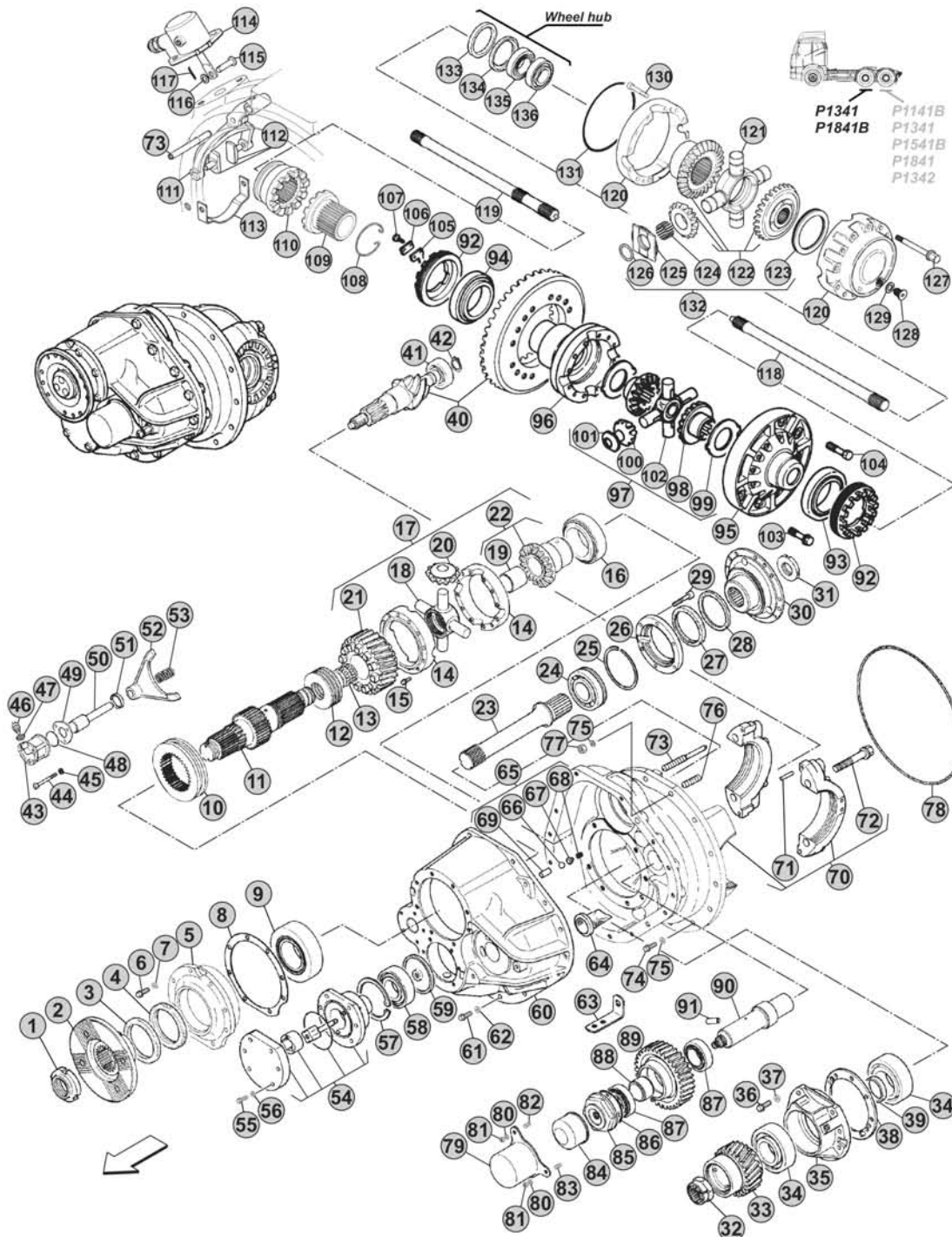
- (1) To be coupled together
 (2) To be coupled together
 (3) To be coupled together
 (4) To be coupled together

VERSIONS:

- INTERMEDIATE P1341
- INTERMEDIATE P1841B

APPLICATIONS:

- C Series (P1341)
- G Series (P1341)
- R Series (P1341)
- KERAX (P1841B)



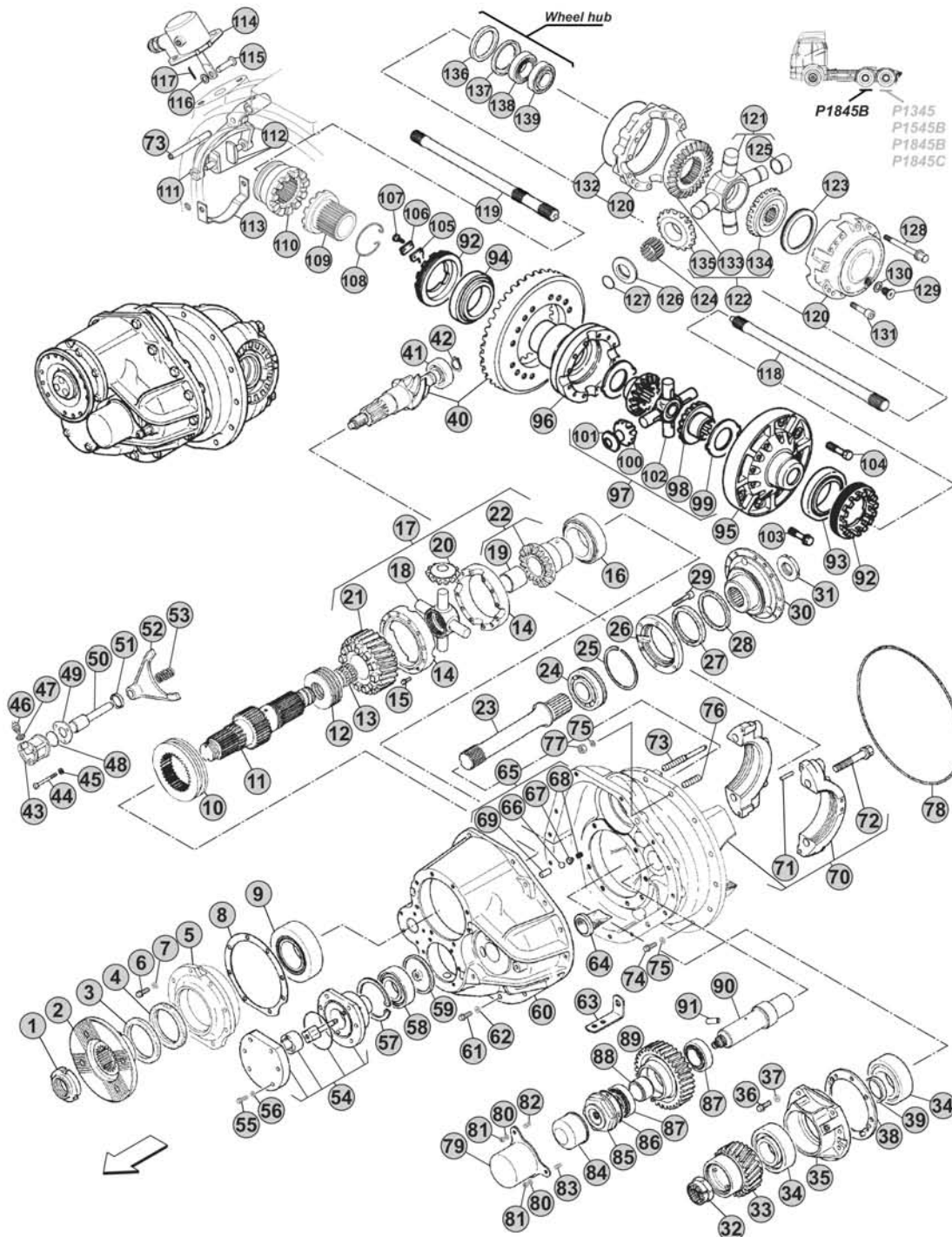
Notes

VERSIONS:

- INTERMEDIATE
P1845B

APPLICATIONS:

- KERAX



Notes

Our spare parts are not the originals but interchangeable with the originals ones. All original equipment manufacturers' numbers, pictures and models used in this catalogue are for reference only. Our products bear our trade-mark.

Fig.	CEI no.	RENAULT no.	Description	Q.ty	Notes	P1845B			
1	187.716	50 10 372 201	Grooved nut	1		●			
2	197.144	50 00 685 869	Flange	1		●			
3	239.050	00 24 472 624	Oil Seal	1		●			
4	239.051	50 10 319 134	Oil Seal	1		●			
5		50 00 664 262	Bearings cage	1		●			
6		74 20 920 941	Screw	8		●			
7		74 20 920 915	Washer	8		●			
8		50 00 664 297	Thrust washer mm. 0,10	0		●			
8		50 00 664 298	Thrust washer mm. 0,15	0		●			
8		50 00 664 299	Thrust washer mm. 0,20	0		●			
8		50 00 664 300	Thrust washer mm. 0,30	0		●			
8		50 00 664 301	Thrust washer mm. 0,40	0		●			
8		50 00 664 302	Thrust washer mm. 0,50	0		●			
8		50 00 664 303	Thrust washer mm. 0,60	0		●			
8		50 00 664 304	Thrust washer mm. 1,00	0		●			
9	130.746	00 23 336 872	Bearing	1		●			
10	154.403	50 00 664 260	Block sleeve	1		●			
11	105.209	50 10 319 148	Distribution shaft	1		●			
12	269.089	50 00 685 989	Spacer	4		●			
13	130.747	50 00 685 990	Needle Cage	1		●			
14	175.312	50 10 611 078	Differential housing	1		●			
15		50 03 009 242	Screw	12		●			
16	130.748	50 00 788 406	Bearing	1		●			
17	298.072	50 01 863 408	Differential kit	1		●			
18	133.164	50 10 534 636	Differential Spider	1		●			
19	117.392	50 05 010 002	Bush	1		●			
20	182.094	50 10 534 646	Differential side pinion	2		●			
21	145.948	50 00 685 988	Distribution gear Z 28	1		●			
22	122.152		Differential side gear	1		●			
23	170.238	50 10 319 216	Distribution drive shaft	1		●			
24	130.736	50 00 788 402	Bearing	1		●			
25		00 00 112 428	Seeger ring	1		●			
26		50 00 664 266	Bearings cage	1		●			
27	239.052	50 10 319 135	Oil Seal	1		●			
28	239.050	00 24 472 624	Oil Seal	1		●			
29		74 20 920 941	Screw	6		●			
30	197.145	50 10 319 581	Flange	1		●			
31	287.003	50 10 319 149	Nut	1		●			
32	287.004	50 00 664 043	Nut	1		●			
33	146.642	50 00 664 246	Distribution gear Z 28	1		●			
34	130.745	50 00 682 795	Bearing	2		●			
35		50 00 664 305	Bearings cage	1		●			
36		50 03 101 241	Screw	8		●			

P1845B

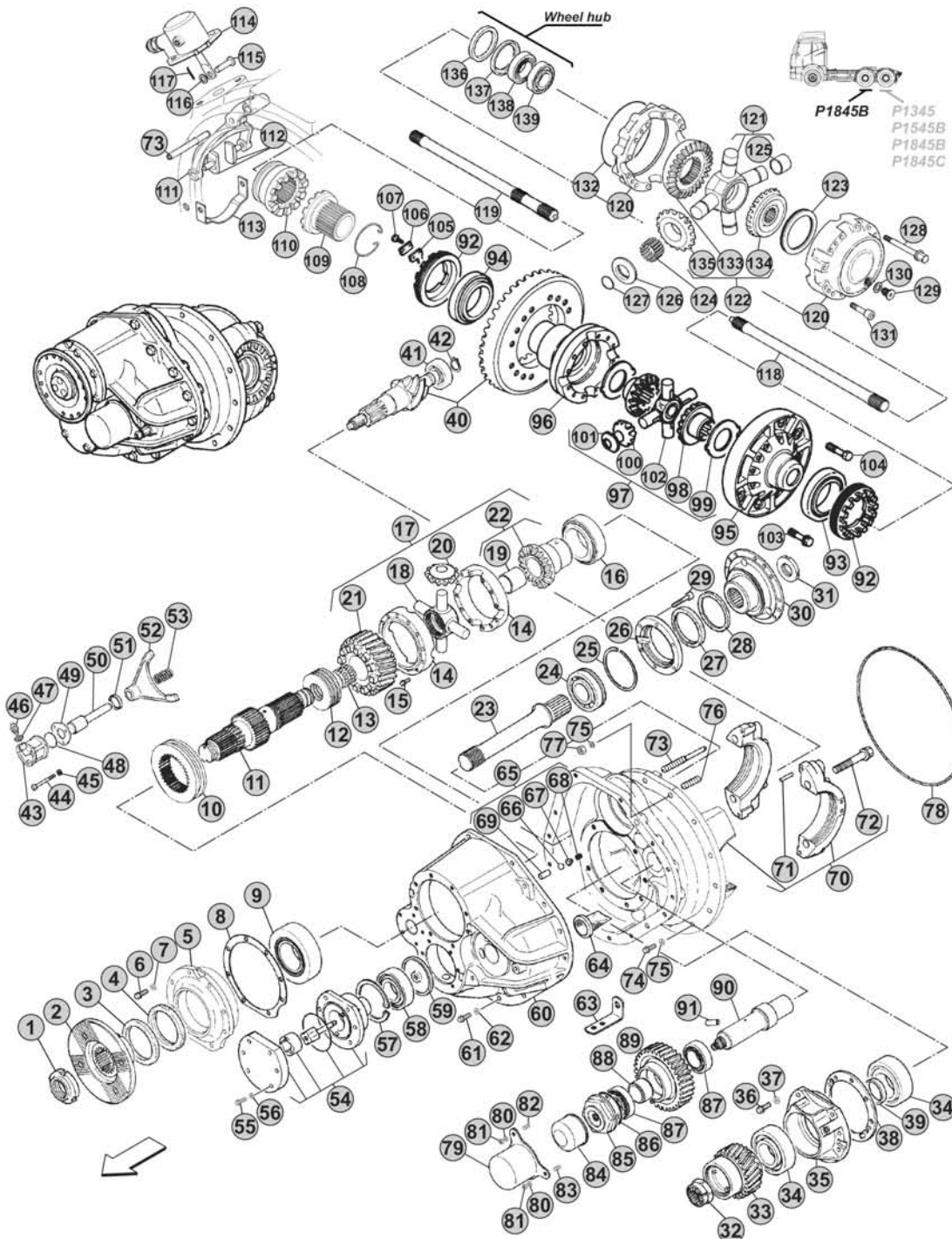
Date 12/2015 Notes _____

VERSIONS:

- INTERMEDIATE
P1845B

APPLICATIONS:

- KERAX



Notes



Our spare parts are not the originals but interchangeable with the originals ones. All original equipment manufacturers' numbers, pictures and models used in this catalogue are for reference only. Our products bear our trade-mark.

Our spare parts are not the originals but interchangeable with the originals ones. All original equipment manufacturers' numbers, pictures and models used in this catalogue are for reference only. Our products bear our trade-mark.

Fig.	CEI no.	RENAULT no.	Description	Q.ty	Notes	P1845B			
37		00 21 247 008	Washer	8		●			
38		50 10 241 470	Thrust washer mm. 0,25	0		●			
38		50 00 664 291	Thrust washer mm. 0,30	0		●			
38		50 00 664 292	Thrust washer mm. 0,40	0		●			
38		50 00 664 293	Thrust washer mm. 0,50	0		●			
38		50 00 664 294	Thrust washer mm. 0,60	0		●			
38		50 00 664 295	Thrust washer mm. 0,70	0		●			
38		50 00 664 296	Thrust washer mm. 1,00	0		●			
39	269.334	50 00 664 148	Spacer mm. 15,10	0		●			
39	269.335	50 00 664 149	Spacer mm. 15,60	0		●			
39		50 00 664 150	Spacer mm. 16,00	0		●			
40	194.957	50 10 534 703	Crown & Pinion 19x37 R.1,95	1	(1) 100 Km/h	●			
40	194.958	50 00 682 307	Crown & Pinion 17x35 R.2,06	1	(1) 95 Km/h	●			
40	194.959	50 10 241 049	Crown & Pinion 17x37 R.2,18	1	(1) 89 Km/h	●			
40	194.960	50 00 682 301	Crown & Pinion 16x37 R.2,31	1	(2) 84 Km/h	●			
40	194.961	50 00 682 286	Crown & Pinion 17x41 R.2,41	1	(2) 81 Km/h	●			
40	194.962	50 00 682 280	Crown & Pinion 16x41 R.2,56	1	(2) 76 Km/h	●			
40	194.963	50 00 682 353	Crown & Pinion 14x38 R.2,71	1	(3) 72 Km/h	●			
40	194.964	50 00 682 274	Crown & Pinion 14x41 R.2,93	1	(3) 66 Km/h	●			
40	194.965	50 00 682 350	Crown & Pinion 13x41 R.3,15	1	(3) 62 Km/h	●			
40	194.966	50 00 682 265	Crown & Pinion 11x38 R.3,45	1	(3) 56 Km/h	●			
40	194.967	50 00 682 033	Crown & Pinion 11x41 R.3,73	1	(3) 52 Km/h	●			
41	130.739	50 00 785 250	Bearing	1		●			
42	111.268	74 00 914 465	Seeger ring	1		●			
43	280.500	50 00 690 188	Cylinder	1		●			
44		50 03 001 804	Screw	3		●			
45		50 03 057 049	Washer	3		●			
46		50 10 135 701	Sensor	1		●			
46		50 10 306 372	Sensor	1		●			
47		50 00 653 084	Bush	1	(5)	●			
48		00 24 427 472	O-Ring	1		●			
49		50 00 655 709	Spacer mm. 1,50	0		●			
49		50 00 655 523	Spacer mm. 2,00	0		●			
49		50 00 655 524	Spacer mm. 2,50	0		●			
49		50 00 655 525	Spacer mm. 3,00	0		●			
49		50 00 655 526	Spacer mm. 3,50	0		●			
49		50 00 655 527	Spacer mm. 4,00	0		●			
50		50 00 682 994	Gear shift rail	1		●			
51		50 10 241 099	Seal ring	1		●			
52	141.213	50 00 664 273	Fork	1		●			
53		00 00 190 092	Spring	1		●			
54		50 00 671 315	Oil Pump	1		●			
55		50 03 101 732	Screw	6		●			

P1845B

Date

12/2015

Notes

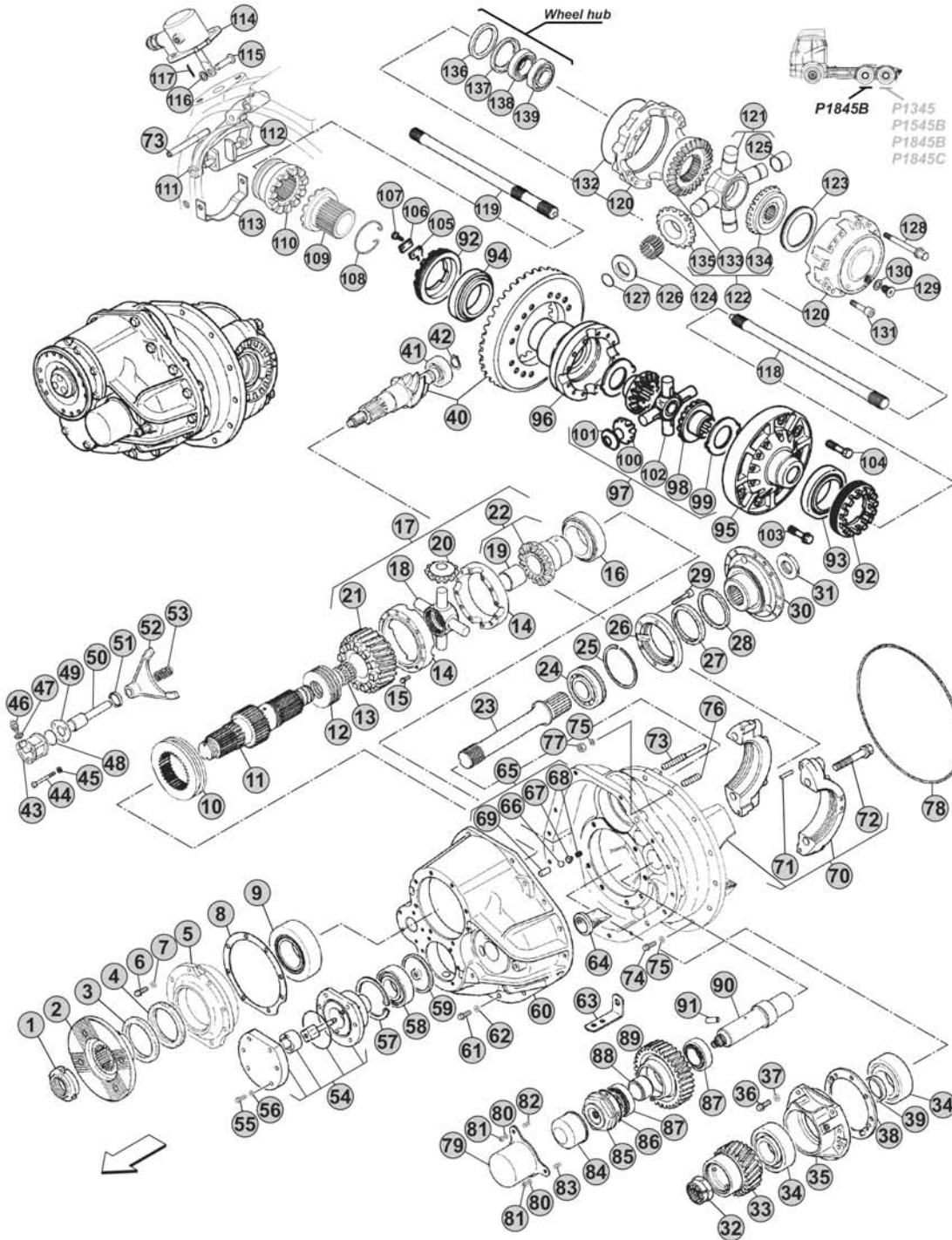
- (1) To be coupled together
 (2) To be coupled together
 (3) To be coupled together
 (5) For sensor OEM no. 50 10 135 701 (Pos. 46)

VERSIONS:

- INTERMEDIATE P1845B

APPLICATIONS:

- KERAX



Notes



Our spare parts are not the originals but interchangeable with the originals ones. All original equipment manufacturers' numbers, pictures and models used in this catalogue are for reference only. Our products bear our trade-mark.

Our spare parts are not the originals but interchangeable with the originals ones. All original equipment manufacturers' numbers, pictures and models used in this catalogue are for reference only. Our products bear our trade-mark.

Fig.	CEI no.	RENAULT no.	Description	Q.ty	Notes	P1845B				
56	167.007	50 03 057 046	Washer	6		●				
57		77 03 066 053	Seeger ring	1		●				
58		50 00 787 226	Bearing	1		●				
59		50 10 241 105	Oil pump carrier	1		●				
60		50 00 682 876	Front cover	1		●				
61		50 03 101 222	Screw	15		●				
62		50 03 057 048	Washer	15		●				
63		00 00 472 122	Bracket	1		●				
64		50 00 682 166	Oil Deflector	1		●				
65		50 00 671 902	Valve	1		●				
66		09 79 101 400	Ball	1		●				
67		50 00 671 122	Spring seat	1		●				
68		06 05 077 700	Spring	1		●				
69		00 23 387 040	Pin	2		●				
70		50 00 682 877	Differential support housing	1		●				
71		50 10 610 282	Pin	4		●				
72		00 00 192 293	Screw	4		●				
73		50 00 664 081	Stud	1		●				
74		50 03 101 241	Screw	12		●				
75		00 21 247 008	Washer	14		●				
76		50 03 027 443	Stud	1		●				
77		50 03 032 243	Nut	2		●				
78	139.841	09 48 360 937	O-Ring	1		●				
79		50 00 671 322	Cover	1		●				
80		74 20 920 915	Washer	3		●				
81	187.576	50 03 032 240	Nut	3		●				
82		50 00 664 345	Stud	1		●				
83		50 03 027 289	Stud	2		●				
84	189.628	50 10 372 044	Oil filter	1		●				
85		50 00 664 272	Nut	1		●				
86		50 03 065 017	O-Ring	1		●				
87	130.557	50 00 669 957	Bearing	2	Premium brand	●				
87	530.557	50 00 669 957	Bearing	2	Aftermarket	●				
88		50 00 664 280	Spacer L. 45,00 mm.	0		●				
88		50 00 664 281	Spacer L. 45,50 mm.	0		●				
88		50 00 664 282	Spacer L. 46,00 mm.	0		●				
89	244.227	50 00 664 245	Gear Z 33	1		●				
90		50 00 671 645	Pin	1		●				
91		50 00 664 271	Pin	1		●				
92	187.745	50 00 664 855	Grooved nut	2		●				
93	130.740	50 10 241 094	Bearing	1		●				
94	130.822	50 10 241 096	Bearing	1	Premium brand	●				
94	530.822	50 10 241 096	Bearing	1	Aftermarket	●				

P1845B

Date

12/2015

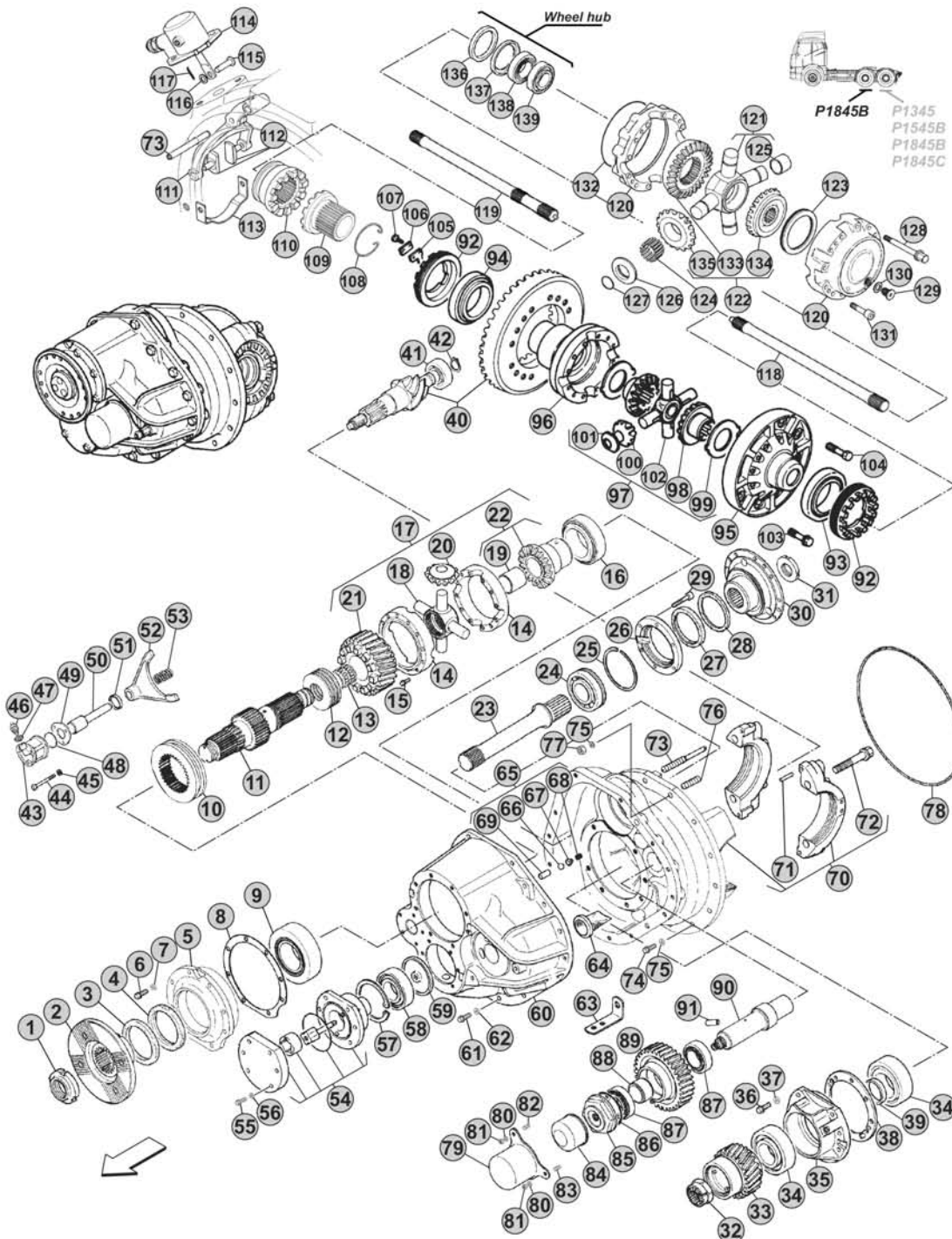
Notes

VERSIONS:

- INTERMEDIATE
P1845B

APPLICATIONS:

- KERAX



Notes

Our spare parts are not the originals but interchangeable with the originals ones. All original equipment manufacturers' numbers, pictures and models used in this catalogue are for reference only. Our products bear our trade-mark.

Fig.	CEI no.	RENAULT no.	Description	Q.ty	Notes	P1845B			
95	175.295	50 10 534 112	Differential half housing	1	(1)	●			
95	175.307	50 10 534 111	Differential half housing	1	(2)	●			
95	175.305	50 10 534 110	Differential half housing	1	(3)	●			
96	175.306	50 10 534 113	Differential half housing	1		●			
97	298.037	50 00 794 101	Differential kit	1		●			
98	122.129	682189130	Differential side gear	2		●			
99	269.018	50 00 671 226	Side gear thrust washer	2		●			
100	182.094	50 10 534 646	Differential side pinion	4		●			
101	269.017	50 10 534 114	Side pinion thrust washer	4		●			
102	133.158	50 00 675 792	Differential Spider	1		●			
103	187.727	50 00 671 332	Screw	16		●			
104	187.746	50 00 682 326	Screw	12		●			
105	188.306	50 00 654 526	Lock plate	2		●			
106	188.307	00 00 184 616	Lock plate	2		●			
107	187.818	77 03 002 020	Screw	4		●			
108	111.408	50 00 671 227	Seeger ring	1		●			
109	154.401	50 00 671 457	Sleeve	1		●			
110	154.249	50 10 443 227	Block sleeve	1		●			
110	154.374	50 00 664 083	Block sleeve	1	(4)	●			
111		50 10 534 099	Fork	1		●			
111		50 00 685 685	Fork	1	(4)	●			
112	141.285	50 10 611 038	Sliding pad	2		●			
113		50 00 664 012	Support	1		●			
114		50 10 244 374	Differential lock control	1		●			
114		50 10 319 698	Differential lock control	1	(4)	●			
115		50 10 292 740	Pin	1	(4)	●			
116		74 20 920 460	Washer	1	(4)	●			
117		50 03 068 082	Cotter pin	1	(4)	●			
118	170.243	50 00 675 838	Drive shaft	1		●			
118	170.244	50 10 534 085	Drive shaft	1		●			
118	170.245	50 10 534 421	Drive shaft	1		●			
119	170.233	50 00 675 802	Drive shaft	1		●			
119	170.232	50 10 534 082	Drive shaft	1		●			
119	170.241	50 10 534 422	Drive shaft	1		●			
120	175.316	50 10 319 268	Wheel reduction housing	1		●			
121	133.167	56 00 665 480	Wheel reduction gear spider	1		●			
122	298.080	50 00 849 555	Wheel reduction gear kit	1		●			
123	130.753	50 10 241 889	Bearing	1		●			
124	171.067	50 10 443 948	Needle	0		●			
125	117.393	50 10 443 950	Bush	4		●			
126	269.092	50 10 319 517	Bearing	4		●			
127	269.093	50 03 065 128	O-Ring	4		●			
128	187.180	50 00 671 697	Screw	12		●			

P1845B

Date

12/2015

Notes

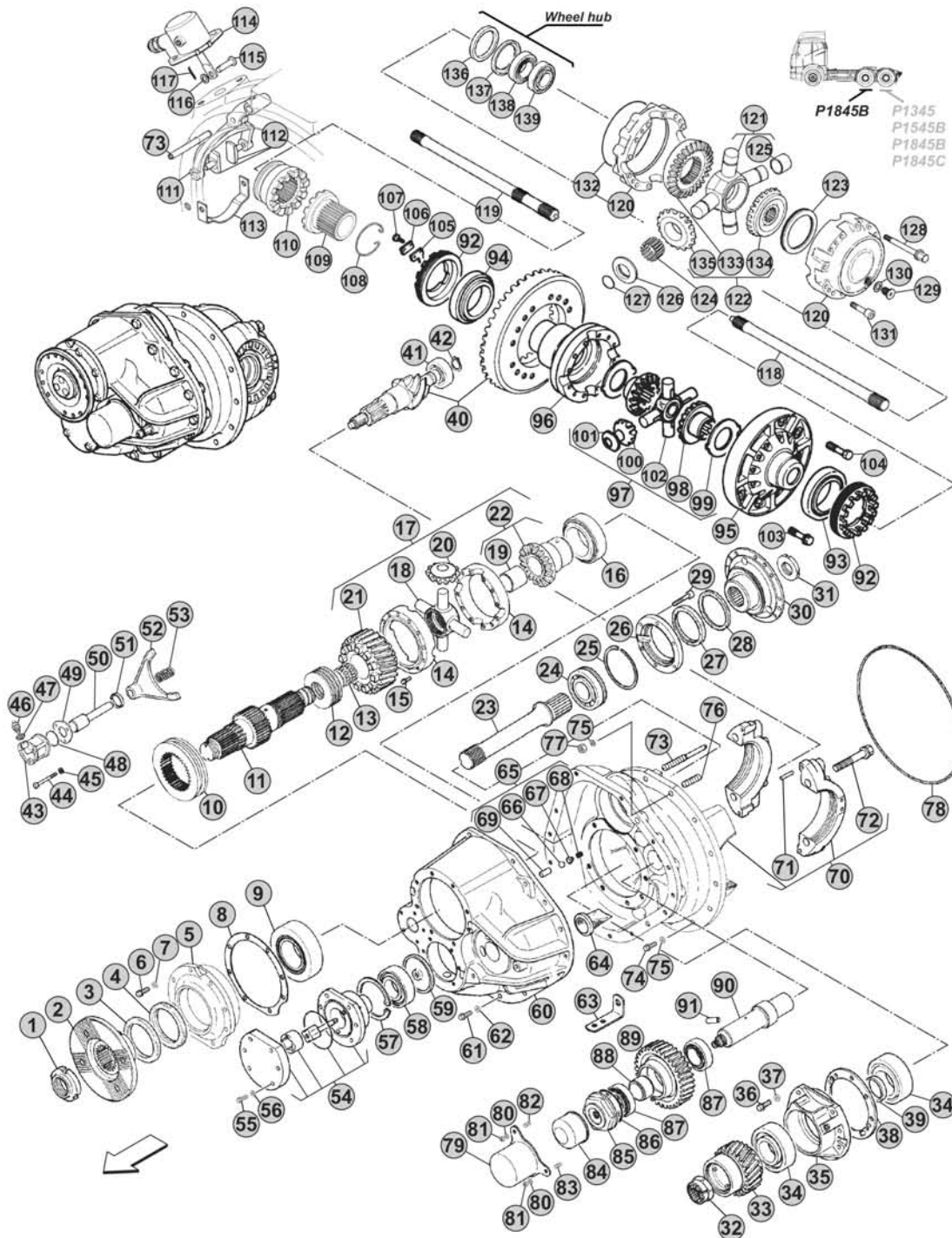
- (1) To be coupled together
 (2) To be coupled together
 (3) To be coupled together
 (4) To be coupled together

VERSIONS:

- INTERMEDIATE
P1845B

APPLICATIONS:

- KERAX



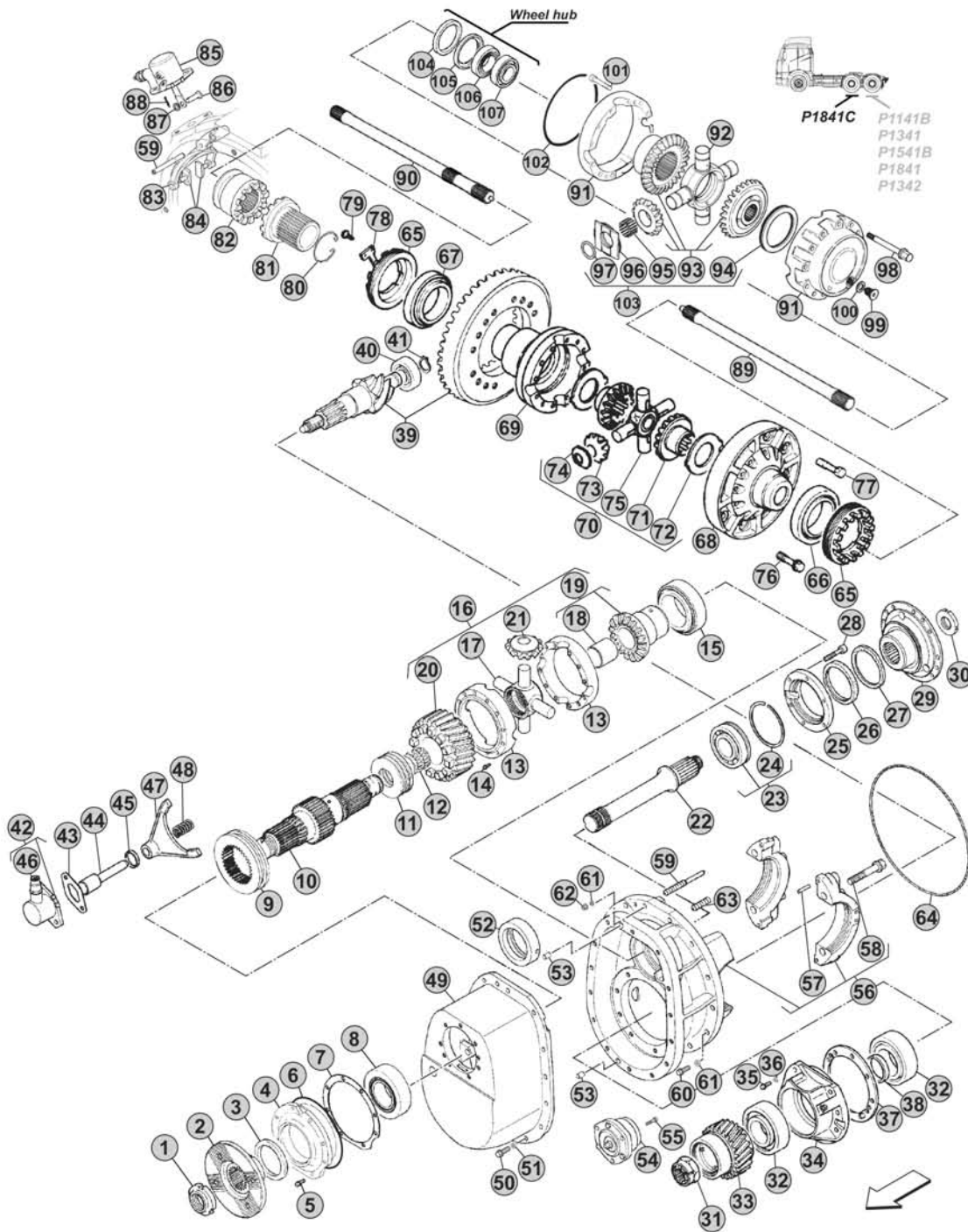
Notes

VERSIONS:

- INTERMEDIATE
- P1841C

APPLICATIONS:

- KERAX



Notes

[Blank area for notes]

Our spare parts are not the originals but interchangeable with the originals ones. All original equipment manufacturers' numbers, pictures and models used in this catalogue are for reference only. Our products bear our trade-mark.

Fig.	CEI no.	RENAULT no.	Description	Q.ty	Notes	P1841C				
1	187.724	50 10 241 239	Nut	1		●				
2	155.228	50 10 319 125	Flange	1		●				
3	139.758	50 10 534 863	Oil Seal	1		●				
4		50 10 443 945	Bearings cage	1		●				
5		77 03 002 690	Screw	8		●				
6		50 03 065 205	O-Ring	1		●				
7		50 10 443 944	Thrust washer mm. 0,10	0		●				
7		50 10 443 943	Thrust washer mm. 0,15	0		●				
7		50 10 443 942	Thrust washer mm. 0,20	0		●				
7		50 10 443 941	Thrust washer mm. 0,30	0		●				
7		50 10 443 940	Thrust washer mm. 0,40	0		●				
7		50 10 443 939	Thrust washer mm. 0,50	0		●				
7		50 10 443 938	Thrust washer mm. 0,60	0		●				
7		50 10 443 937	Thrust washer mm. 1,00	0		●				
8	130.742	50 10 439 065	Bearing	1		●				
9	154.402	50 10 319 821	Block sleeve	1		●				
10	105.208	50 10 534 620	Distribution shaft	1		●				
11	269.089	50 00 685 989	Spacer	4		●				
12	130.743	50 10 319 917	Needle Cage	1		●				
13	175.312	50 10 611 078	Differential housing	1		●				
14		50 03 009 242	Screw	12		●				
15	130.744	74 21 260 660	Bearing	1		●				
16	298.071	50 01 863 200	Differential kit	1		●				
17	133.164	50 10 534 636	Differential Spider	1		●				
18	117.392	50 05 010 002	Bush	1		●				
19	122.154		Differential side gear	1		●				
20	145.878		Distribution gear Z 29	1		●				
21	182.112	50 10 534 637	Differential side pinion	4		●				
22	170.237	50 10 319 798	Distribution drive shaft	1		●				
23	130.736	50 00 788 402	Bearing	1		●				
24		00 00 112 428	Seeger ring	1		●				
25		50 00 664 266	Bearings cage	1		●				
26	239.052	50 10 319 135	Oil Seal	1		●				
27	239.050	00 24 472 624	Oil Seal	1		●				
28		74 20 920 941	Screw	6		●				
29	197.143	50 10 443 703	Flange	1		●				
30	287.003	50 10 319 149	Nut	1		●				
31	287.004	50 00 664 043	Nut	1		●				
32	130.745	50 00 682 795	Bearing	2		●				
33	146.641	50 10 319 814	Distribution gear Z 29	1		●				
34		50 10 319 922	Bearings cage	1		●				
35		50 03 101 241	Screw	8		●				
36		00 21 247 008	Washer	8		●				

P1841C

Date

Notes

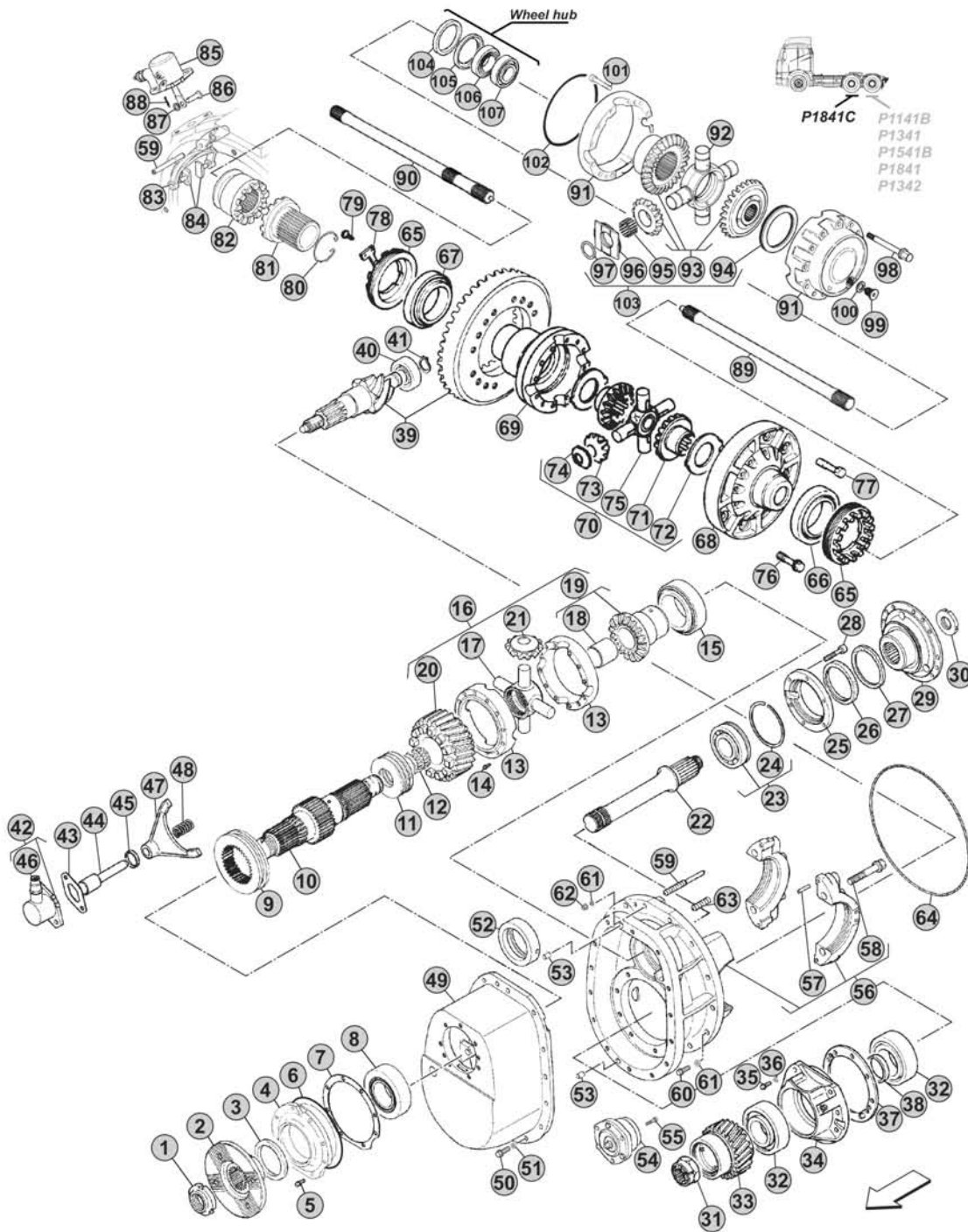
12/2015

VERSIONS:

- INTERMEDIATE
- P1841C

APPLICATIONS:

- KERAX



Notes

[Blank area for notes]

Our spare parts are not the originals but interchangeable with the originals ones. All original equipment manufacturers' numbers, pictures and models used in this catalogue are for reference only. Our products bear our trade-mark.

Fig.	CEI no.	RENAULT no.	Description	Q.ty	Notes	P1841C			
37		50 10 443 624	Thrust washer mm. 0,25	0		●			
37		50 10 443 625	Thrust washer mm. 0,30	0		●			
37		50 10 443 626	Thrust washer mm. 0,40	0		●			
37		50 10 443 627	Thrust washer mm. 0,50	0		●			
37		50 10 443 628	Thrust washer mm. 0,60	0		●			
37		50 10 443 629	Thrust washer mm. 0,70	0		●			
37		50 10 443 630	Thrust washer mm. 1,00	0		●			
38	269.334	50 00 664 148	Spacer mm. 15,10	0		●			
38	269.335	50 00 664 149	Spacer mm. 15,60	0		●			
38		50 00 664 150	Spacer mm. 16,00	0		●			
39	194.953	50 10 443 865	Crown & Pinion 19x37 R.1,95	1	(3) 100 Km/h	●			
39	194.968	50 10 534 022	Crown & Pinion 17x35 R.2,06	1	(3) 95 Km/h	●			
39	194.954	50 10 443 869	Crown & Pinion 17x37 R.2,18	1	(3) 89 Km/h	●			
39	194.955	50 10 443 564	Crown & Pinion 16x37 R.2,31	1	(2) 84 Km/h	●			
39	194.839	50 10 443 562	Crown & Pinion 16x41 R.2,56	1	(2) 76 Km/h	●			
39	194.950	50 10 443 560	Crown & Pinion 14x41 R.2,93	1	(1) 66 Km/h	●			
39	194.951	50 10 443 787	Crown & Pinion 13x41 R.3,15	1	(1) 62 Km/h	●			
39	194.952	50 10 443 558	Crown & Pinion 11x38 R.3,45	1	(1) 56 Km/h	●			
39	194.969	50 10 443 556	Crown & Pinion 10x41 R.4,10	1	(1) 47 Km/h	●			
39	194.970	50 10 443 551	Crown & Pinion 9x41 R.4,56	1	(1) 43 Km/h	●			
39	194.971	50 10 319 912	Crown & Pinion 9x41 R.4,56	1	(1) 38 Km/h	●			
40	130.739	50 00 785 250	Bearing	1		●			
41	111.268	74 00 914 465	Seeger ring	1		●			
42		50 10 443 728	Differential lock control	1		●			
43		50 10 534 386	Spacer mm. 1,50	0		●			
43		50 10 534 387	Spacer mm. 2,00	0		●			
43		50 10 534 388	Spacer mm. 2,50	0		●			
43		50 10 534 389	Spacer mm. 3,00	0		●			
43		50 10 534 390	Spacer mm. 3,50	0		●			
43		50 10 534 391	Spacer mm. 4,00	0		●			
43		50 10 534 392	Spacer mm. 4,50	0		●			
44		50 10 319 810	Gear shift rail	1		●			
45		50 10 241 099	Seal ring	1		●			
46		50 10 306 719	Sensor	1		●			
47	141.212	50 10 319 824	Fork	1		●			
48		00 00 190 092	Spring	1		●			
49		50 10 443 916	Front cover	1		●			
50		50 03 101 222	Screw	15		●			
51		50 03 057 048	Washer	15		●			
52		50 10 443 935	Joint	1		●			
53		00 23 387 040	Pin	2		●			
54		50 10 443 936	Oil Pump	1		●			
55		77 03 002 949	Screw	3		●			

P1841C

Date

12/2015

Notes

(3) To be coupled together

(2) To be coupled together

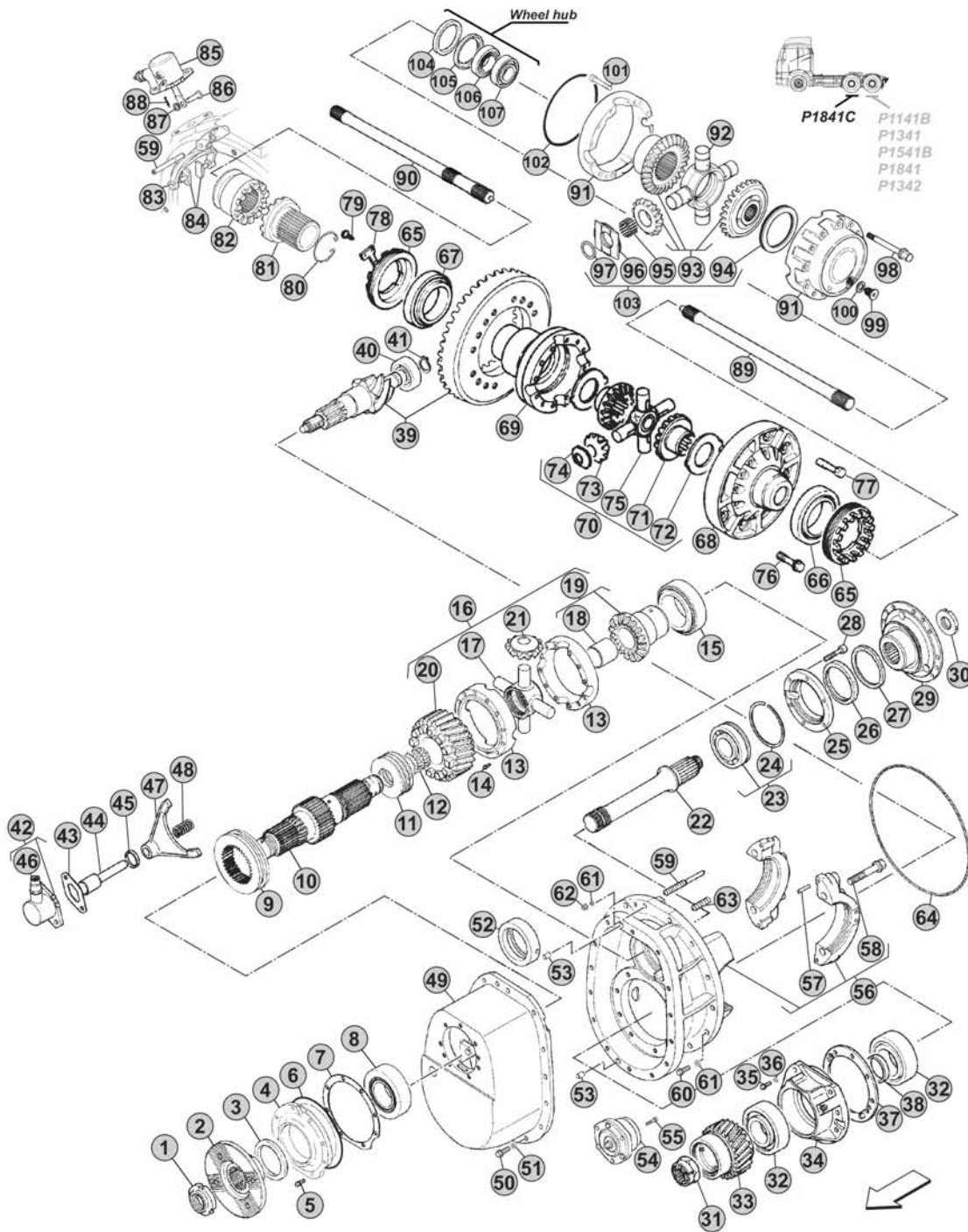
(1) To be coupled together

VERSIONS:

- INTERMEDIATE
P1841C

APPLICATIONS:

- KERAX



Notes

Our spare parts are not the originals but interchangeable with the originals ones. All original equipment manufacturers' numbers, pictures and models used in this catalogue are for reference only. Our products bear our trade-mark.

Fig.	CEI no.	RENAULT no.	Description	Q.ty	Notes	P1841C			
56		50 10 319 932	Differential support housing	1		●			
57		50 10 610 282	Pin	4		●			
58		00 00 192 293	Screw	4		●			
59		50 00 664 081	Stud	1		●			
60		50 03 101 633	Screw	14		●			
61		00 21 247 008	Washer	16		●			
62		50 03 032 243	Nut	2		●			
63		50 03 027 443	Stud	1		●			
64	139.841	09 48 360 937	O-Ring	1		●			
65	187.745	50 00 664 855	Grooved nut	2		●			
66	130.740	50 10 241 094	Bearing	1		●			
67	130.822	50 10 241 096	Bearing	1	Premium brand	●			
67	530.822	50 10 241 096	Bearing	1	Aftermarket	●			
68	175.305	50 10 534 110	Differential half housing	1	(1)	●			
68	175.307	50 10 534 111	Differential half housing	1	(2)	●			
68	175.295	50 10 534 112	Differential half housing	1	(3)	●			
69	175.306	50 10 534 113	Differential half housing	1		●			
70	298.044	50 01 857 599	Differential kit	1		●			
71	122.174	50 10 443 927	Differential side gear	2		●			
72	269.018	50 00 671 226	Side gear thrust washer	2		●			
73	182.112	50 10 534 637	Differential side pinion	4		●			
74	269.017	50 10 534 114	Side pinion thrust washer	4		●			
75	133.158	50 00 675 792	Differential Spider	1		●			
76	187.727	50 00 671 332	Screw	16		●			
77	187.746	50 00 682 326	Screw	12		●			
78	188.306	50 00 654 526	Lock plate	2		●			
79	187.818	77 03 002 020	Screw	4		●			
80	111.408	50 00 671 227	Seeger ring	1		●			
81	154.401	50 00 671 457	Sleeve	1		●			
82	154.249	50 10 443 227	Block sleeve	1		●			
82	154.374	50 00 664 083	Block sleeve	1	(4)	●			
83		50 10 534 245	Fork	1		●			
83		50 00 671 498	Fork	1	(4)	●			
84	141.285	50 10 611 038	Sliding pad	2		●			
85		50 10 244 374	Differential lock control	1		●			
85		50 10 319 698	Differential lock control	1	(4)	●			
86		50 10 292 740	Pin	1		●			
87		74 20 920 460	Washer	1		●			
88		50 03 068 082	Cotter pin	1		●			
89	170.235	50 00 675 796	Drive shaft	1		●			
89	170.234	50 10 534 077	Drive shaft	1		●			
90	170.233	50 00 675 802	Drive shaft	1		●			
90	170.232	50 10 534 082	Drive shaft	1		●			

P1841C

Date

12/2015

Notes

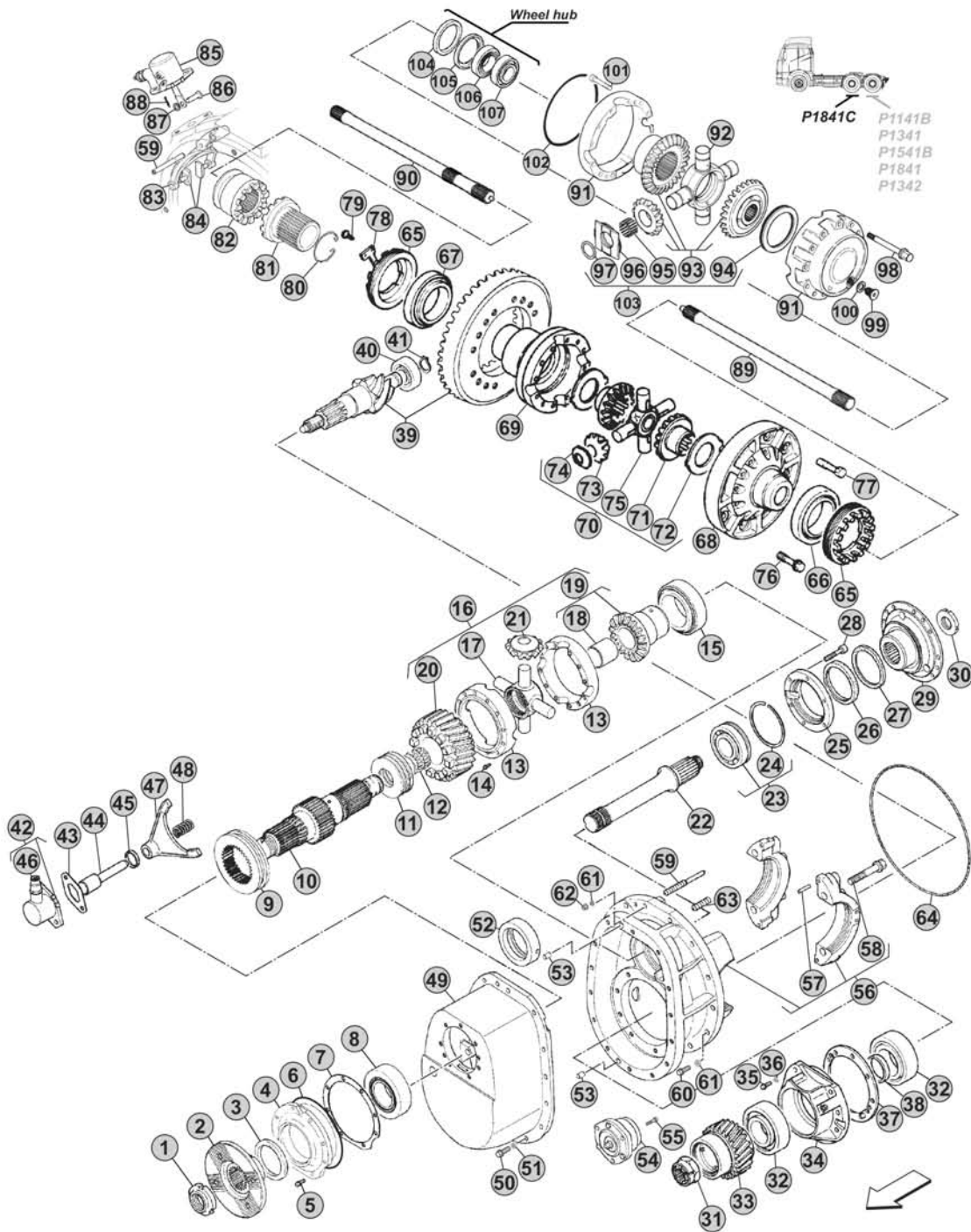
- (1) To be coupled together
(2) To be coupled together
(3) To be coupled together
(4) To be coupled together

VERSIONS:

- INTERMEDIATE
P1841C

APPLICATIONS:

- KERAX



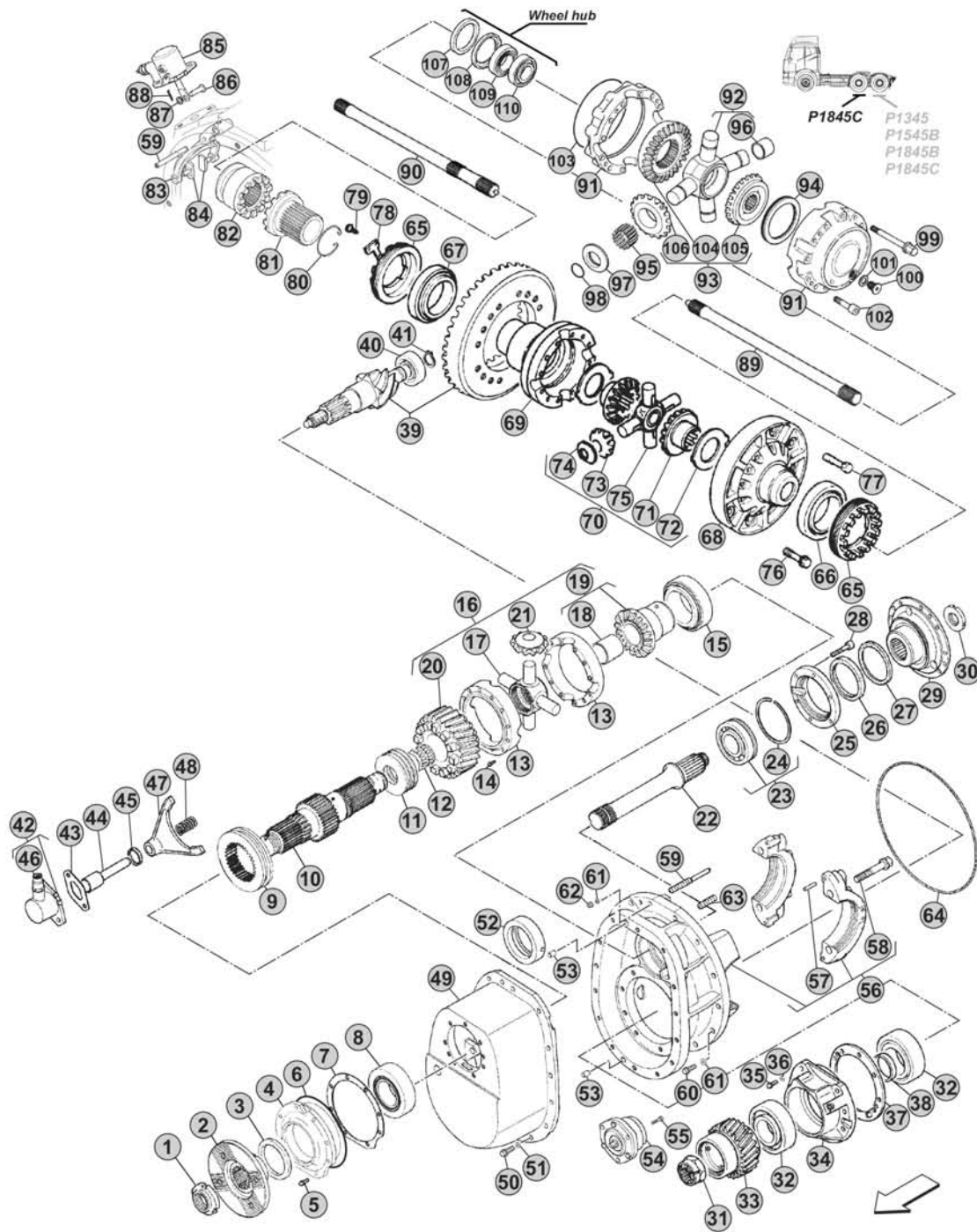
Notes

VERSIONS:

- INTERMEDIATE
- P1845C

APPLICATIONS:

- KERAX



Notes

Our spare parts are not the originals but interchangeable with the originals ones. All original equipment manufacturers' numbers, pictures and models used in this catalogue are for reference only. Our products bear our trade-mark.

Fig.	CEI no.	RENAULT no.	Description	Q.ty	Notes	P1845C				
1	187.724	50 10 241 239	Nut	1		●				
2	155.228	50 10 319 125	Flange	1		●				
3	139.758	50 10 534 863	Oil Seal	1		●				
4		50 10 443 945	Bearings cage	1		●				
5		77 03 002 690	Screw	8		●				
6		50 03 065 205	O-Ring	1		●				
7		50 10 443 944	Thrust washer mm. 0,10	0		●				
7		50 10 443 943	Thrust washer mm. 0,15	0		●				
7		50 10 443 942	Thrust washer mm. 0,20	0		●				
7		50 10 443 941	Thrust washer mm. 0,30	0		●				
7		50 10 443 940	Thrust washer mm. 0,40	0		●				
7		50 10 443 939	Thrust washer mm. 0,50	0		●				
7		50 10 443 938	Thrust washer mm. 0,60	0		●				
7		50 10 443 937	Thrust washer mm. 1,00	0		●				
8	130.742	50 10 439 065	Bearing	1		●				
9	154.402	50 10 319 821	Block sleeve	1		●				
10	105.208	50 10 534 620	Distribution shaft	1		●				
11	269.089	50 00 685 989	Spacer	4		●				
12	130.743	50 10 319 917	Needle Cage	1		●				
13	175.312	50 10 611 078	Differential housing	1		●				
14		50 03 009 242	Screw	12		●				
15	130.744	74 21 260 660	Bearing	1		●				
16	298.071	50 01 863 200	Differential kit	1		●				
17	133.164	50 10 534 636	Differential Spider	1		●				
18	117.392	50 05 010 002	Bush	1		●				
19	122.154		Differential side gear	1		●				
20	145.878		Distribution gear Z 29	1		●				
21	182.112	50 10 534 637	Differential side pinion	4		●				
22	170.237	50 10 319 798	Distribution drive shaft	1		●				
23	130.736	50 00 788 402	Bearing	1		●				
24		00 00 112 428	Seeger ring	1		●				
25		50 00 664 266	Bearings cage	1		●				
26	239.052	50 10 319 135	Oil Seal	1		●				
27	239.050	00 24 472 624	Oil Seal	1		●				
28		74 20 920 941	Screw	6		●				
29	197.143	50 10 443 703	Flange	1		●				
30	287.003	50 10 319 149	Nut	1		●				
31	287.004	50 00 664 043	Nut	1		●				
32	130.745	50 00 682 795	Bearing	2		●				
33	146.641	50 10 319 814	Distribution gear Z 29	1		●				
34		50 10 319 922	Bearings cage	1		●				
35		50 03 101 241	Screw	8		●				
36		00 21 247 008	Washer	8		●				

P1845C

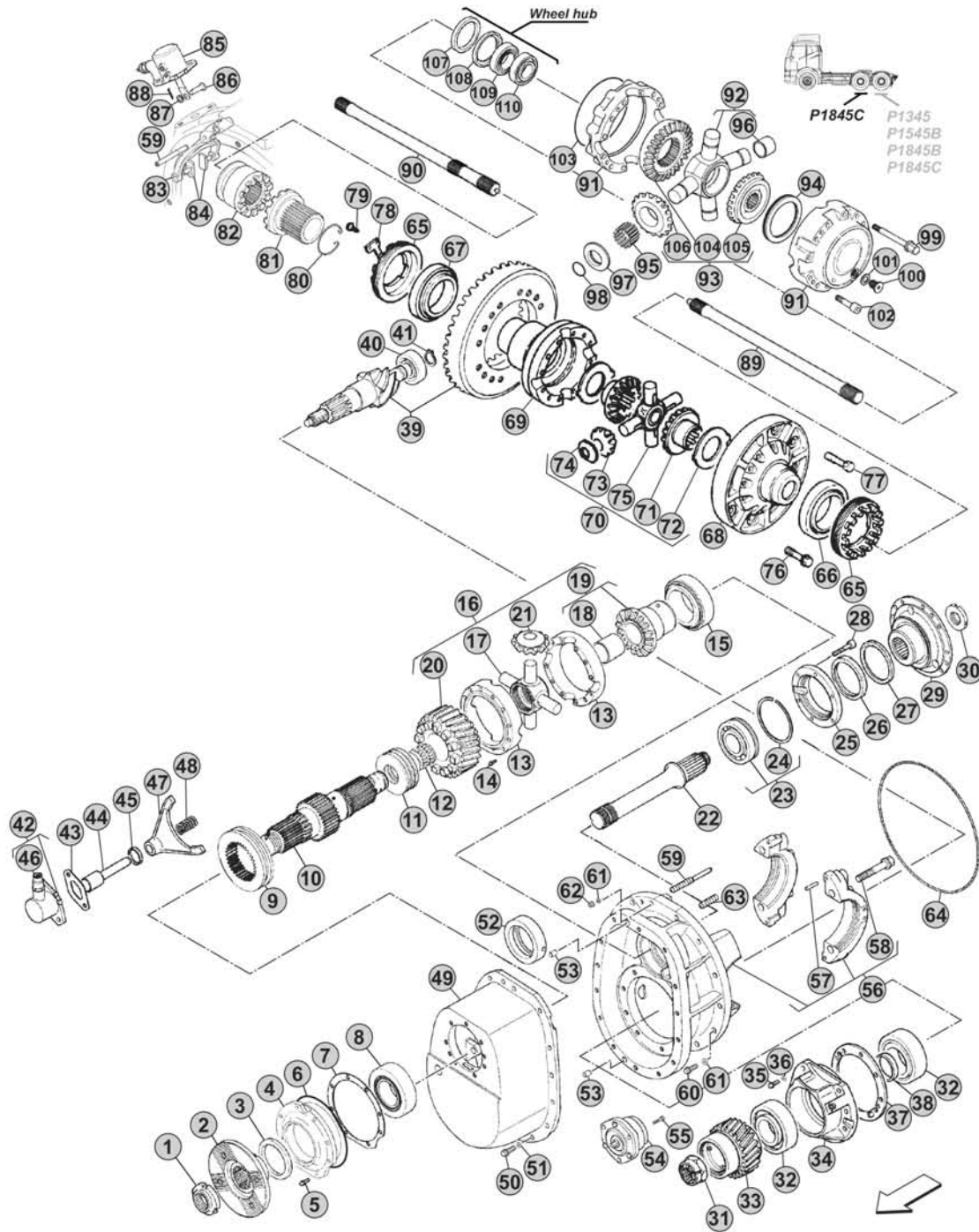
Date 12/2015 Notes _____

VERSIONS:

- INTERMEDIATE
- P1845C

APPLICATIONS:

- KERAX



Notes



Our spare parts are not the originals but interchangeable with the originals ones. All original equipment manufacturers' numbers, pictures and models used in this catalogue are for reference only. Our products bear our trade-mark.

Our spare parts are not the originals but interchangeable with the originals ones. All original equipment manufacturers' numbers, pictures and models used in this catalogue are for reference only. Our products bear our trade-mark.

Fig.	CEI no.	RENAULT no.	Description	Q.ty	Notes	P1845C			
37		50 10 443 624	Thrust washer mm. 0,25	0		●			
37		50 10 443 625	Thrust washer mm. 0,30	0		●			
37		50 10 443 626	Thrust washer mm. 0,40	0		●			
37		50 10 443 627	Thrust washer mm. 0,50	0		●			
37		50 10 443 628	Thrust washer mm. 0,60	0		●			
37		50 10 443 629	Thrust washer mm. 0,70	0		●			
37		50 10 443 630	Thrust washer mm. 1,00	0		●			
38	269.334	50 00 664 148	Spacer mm. 15,10	0		●			
38	269.335	50 00 664 149	Spacer mm. 15,60	0		●			
38		50 00 664 150	Spacer mm. 16,00	0		●			
39	194.953	50 10 443 865	Crown & Pinion 19x37 R.1,95	1	(3) 100 Km/h	●			
39	194.968	50 10 534 022	Crown & Pinion 17x35 R.2,06	1	(3) 95 Km/h	●			
39	194.954	50 10 443 869	Crown & Pinion 17x37 R.2,18	1	(3) 89 Km/h	●			
39	194.955	50 10 443 564	Crown & Pinion 16x37 R.2,31	1	(2) 84 Km/h	●			
39	194.839	50 10 443 562	Crown & Pinion 16x41 R.2,56	1	(2) 76 Km/h	●			
39	194.950	50 10 443 560	Crown & Pinion 14x41 R.2,93	1	(1) 66 Km/h	●			
39	194.951	50 10 443 787	Crown & Pinion 13x41 R.3,15	1	(1) 62 Km/h	●			
39	194.952	50 10 443 558	Crown & Pinion 11x38 R.3,45	1	(1) 56 Km/h	●			
39	194.969	50 10 443 556	Crown & Pinion 10x41 R.4,10	1	(1) 47 Km/h	●			
39	194.970	50 10 443 551	Crown & Pinion 9x41 R.4,56	1	(1) 43 Km/h	●			
39	194.971	50 10 319 912	Crown & Pinion 9x41 R.4,56	1	(1) 38 Km/h	●			
40	130.739	50 00 785 250	Bearing	1		●			
41	111.268	74 00 914 465	Seeger ring	1		●			
42		50 10 443 728	Differential lock control	1		●			
43		50 10 534 386	Spacer mm. 1,50	0		●			
43		50 10 534 387	Spacer mm. 2,00	0		●			
43		50 10 534 388	Spacer mm. 2,50	0		●			
43		50 10 534 389	Spacer mm. 3,00	0		●			
43		50 10 534 390	Spacer mm. 3,50	0		●			
43		50 10 534 391	Spacer mm. 4,00	0		●			
43		50 10 534 392	Spacer mm. 4,50	0		●			
44		50 10 319 810	Gear shift rail	1		●			
45		50 10 241 099	Seal ring	1		●			
46		50 10 306 719	Sensor	1		●			
47	141.212	50 10 319 824	Fork	1		●			
48		00 00 190 092	Spring	1		●			
49		50 10 443 916	Front cover	1		●			
50		50 03 101 222	Screw	15		●			
51		50 03 057 048	Washer	15		●			
52		50 10 443 935	Joint	1		●			
53		00 23 387 040	Pin	2		●			
54		50 10 443 936	Oil Pump	1		●			
55		77 03 002 949	Screw	3		●			

P1845C

Date

12/2015

Notes

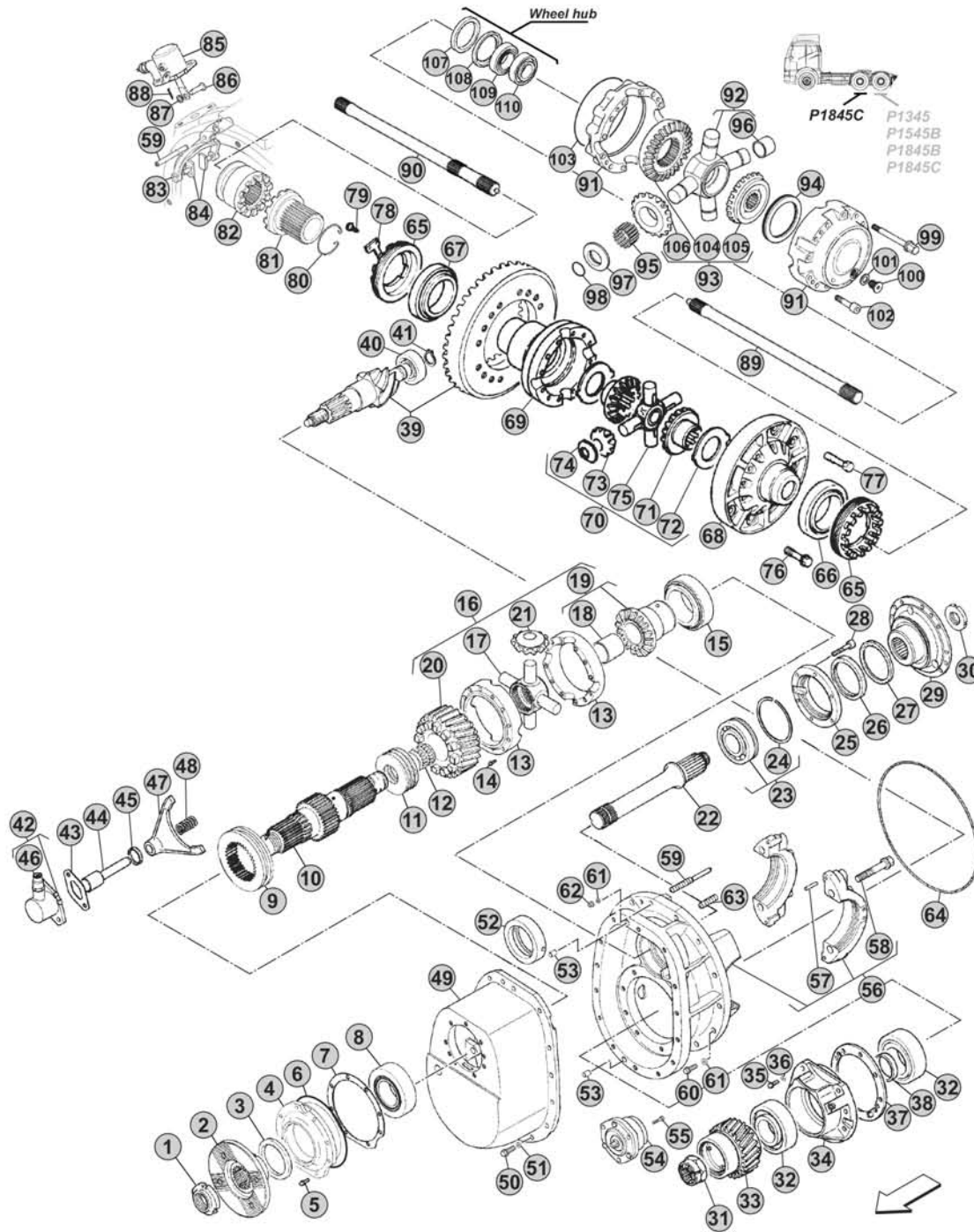
- (3) To be coupled together
 (2) To be coupled together
 (1) To be coupled together

VERSIONS:

- INTERMEDIATE
- P1845C

APPLICATIONS:

- KERAX



Notes

Our spare parts are not the originals but interchangeable with the originals ones. All original equipment manufacturers' numbers, pictures and models used in this catalogue are for reference only. Our products bear our trade-mark.

Fig.	CEI no.	RENAULT no.	Description	Q.ty	Notes	P1845C			
56		50 10 319 932	Differential support housing	1		●			
57		50 10 610 282	Pin	4		●			
58		00 00 192 293	Screw	4		●			
59		50 00 664 081	Stud	1		●			
60		50 03 101 633	Screw	14		●			
61		00 21 247 008	Washer	16		●			
62		50 03 032 243	Nut	2		●			
63		50 03 027 443	Stud	1		●			
64	139.841	09 48 360 937	O-Ring	1		●			
65	187.745	50 00 664 855	Grooved nut	2		●			
66	130.740	50 10 241 094	Bearing	1		●			
67	130.822	50 10 241 096	Bearing	1	Premium brand	●			
67	530.822	50 10 241 096	Bearing	1	Aftermarket	●			
68	175.305	50 10 534 110	Differential half housing	1	(1)	●			
68	175.307	50 10 534 111	Differential half housing	1	(2)	●			
68	175.295	50 10 534 112	Differential half housing	1	(3)	●			
69	175.306	50 10 534 113	Differential half housing	1		●			
70	298.044	50 01 857 599	Differential kit	1		●			
71	122.174	50 10 443 927	Differential side gear	2		●			
72	269.018	50 00 671 226	Side gear thrust washer	2		●			
73	182.112	50 10 534 637	Differential side pinion	4		●			
74	269.017	50 10 534 114	Side pinion thrust washer	4		●			
75	133.158	50 00 675 792	Differential Spider	1		●			
76	187.727	50 00 671 332	Screw	16		●			
77	187.746	50 00 682 326	Screw	12		●			
78	188.306	50 00 654 526	Lock plate	2		●			
79	187.818	77 03 002 020	Screw	4		●			
80	111.408	50 00 671 227	Seeger ring	1		●			
81	154.401	50 00 671 457	Sleeve	1		●			
82	154.249	50 10 443 227	Block sleeve	1		●			
82	154.374	50 00 664 083	Block sleeve	1	(4)	●			
83		50 10 534 245	Fork	1		●			
83		50 00 671 498	Fork	1	(4)	●			
83		50 00 685 685	Fork	1		●			
84	141.285	50 10 611 038	Sliding pad	2		●			
85		50 10 244 374	Differential lock control	1		●			
85		50 10 319 698	Differential lock control	1	(4)	●			
86		50 10 292 740	Pin	1		●			
87		74 20 920 460	Washer	1		●			
88		50 03 068 082	Cotter pin	1		●			
89	170.243	50 00 675 838	Drive shaft	1		●			
89	170.244	50 10 534 085	Drive shaft	1		●			
90	170.233	50 00 675 802	Drive shaft	1		●			

P1845C

Date

12/2015

Notes

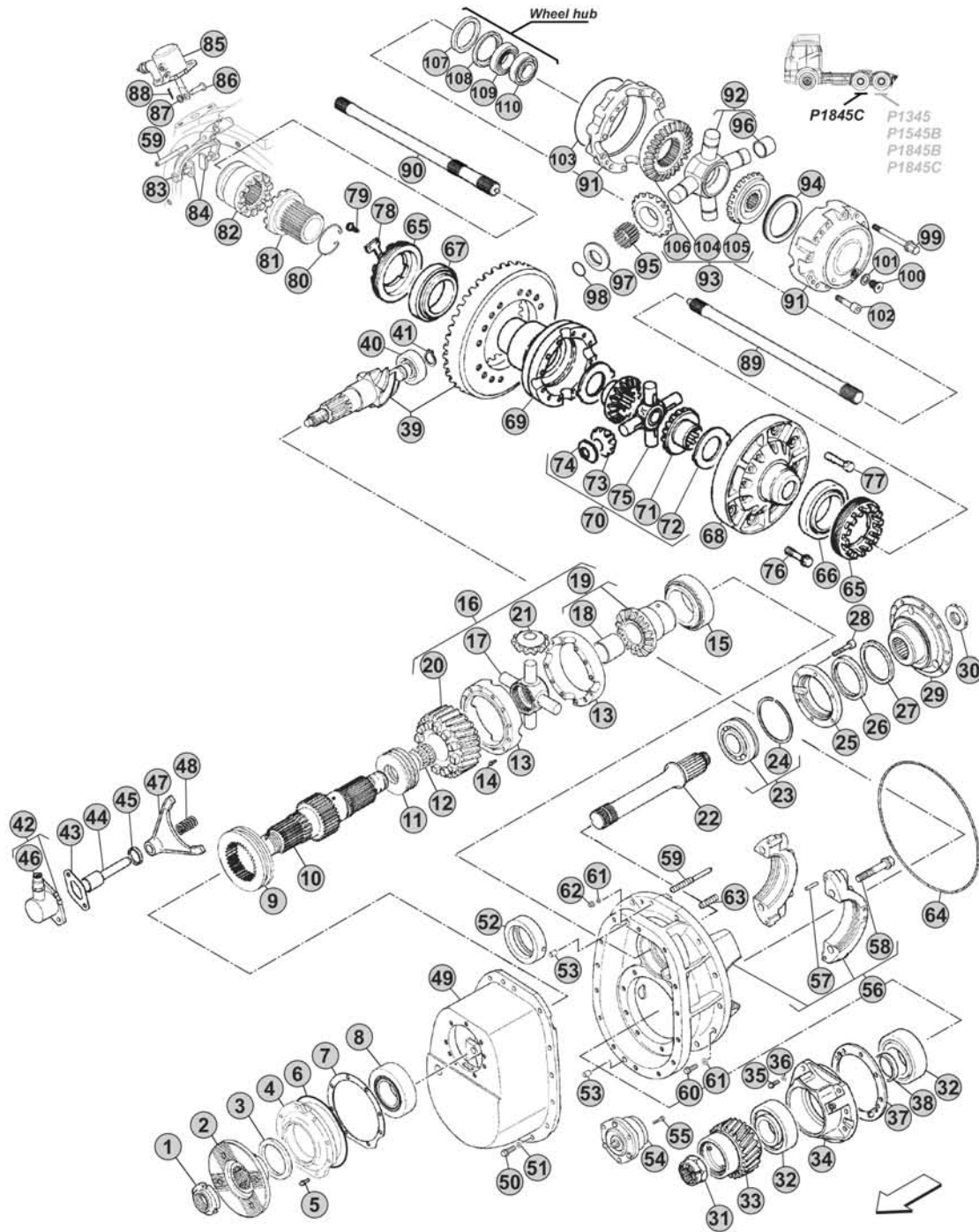
- (1) To be coupled together
(2) To be coupled together
(3) To be coupled together
(4) To be coupled together

VERSIONS:

- INTERMEDIATE
- P1845C

APPLICATIONS:

- KERAX



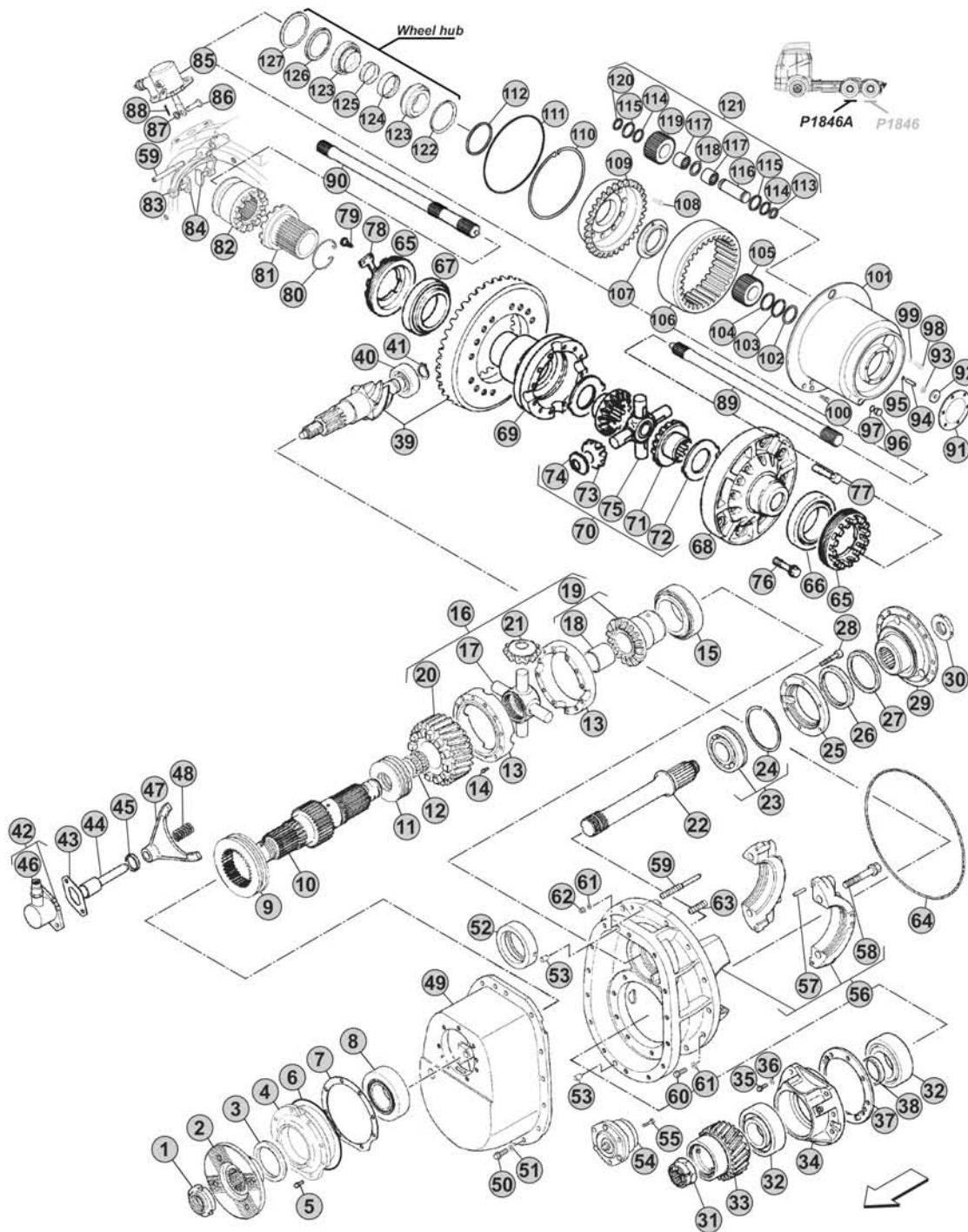
Notes

VERSIONS:

- INTERMEDIATE
P1846A

APPLICATIONS:

- KERAX



Notes

Our spare parts are not the originals but interchangeable with the originals ones. All original equipment manufacturers' numbers, pictures and models used in this catalogue are for reference only. Our products bear our trade-mark.

Fig.	CEI no.	RENAULT no.	Description	Q.ty	Notes	P1846A			
1	187.724	50 10 241 239	Nut	1		●			
2	155.228	50 10 319 125	Flange	1		●			
3	139.758	50 10 534 863	Oil Seal	1		●			
4		50 10 443 945	Bearings cage	1		●			
5		77 03 002 690	Screw	8		●			
6		50 03 065 205	O-Ring	1		●			
7		50 10 443 944	Thrust washer mm. 0,10	0		●			
7		50 10 443 943	Thrust washer mm. 0,15	0		●			
7		50 10 443 942	Thrust washer mm. 0,20	0		●			
7		50 10 443 941	Thrust washer mm. 0,30	0		●			
7		50 10 443 940	Thrust washer mm. 0,40	0		●			
7		50 10 443 939	Thrust washer mm. 0,50	0		●			
7		50 10 443 938	Thrust washer mm. 0,60	0		●			
7		50 10 443 937	Thrust washer mm. 1,00	0		●			
8	130.742	50 10 439 065	Bearing	1		●			
9	154.402	50 10 319 821	Block sleeve	1		●			
10	105.208	50 10 534 620	Distribution shaft	1		●			
11	269.089	50 00 685 989	Spacer	4		●			
12	130.743	50 10 319 917	Needle Cage	1		●			
13	175.312	50 10 611 078	Differential housing	1		●			
14		50 03 009 242	Screw	12		●			
15	130.744	74 21 260 660	Bearing	1		●			
16	298.071	50 01 863 200	Differential kit	1		●			
17	133.164	50 10 534 636	Differential Spider	1		●			
18	117.392	50 05 010 002	Bush	1		●			
19	122.154		Differential side gear	1		●			
20	145.878		Distribution gear Z 29	1		●			
21	182.112	50 10 534 637	Differential side pinion	4		●			
22	170.237	50 10 319 798	Distribution drive shaft	1		●			
23	130.736	50 00 788 402	Bearing	1		●			
24		00 00 112 428	Seeger ring	1		●			
25		50 00 664 266	Bearings cage	1		●			
26	239.052	50 10 319 135	Oil Seal	1		●			
27	239.050	00 24 472 624	Oil Seal	1		●			
28		74 20 920 941	Screw	6		●			
29	197.143	50 10 443 703	Flange	1		●			
30	287.003	50 10 319 149	Nut	1		●			
31	287.004	50 00 664 043	Nut	1		●			
32	130.745	50 00 682 795	Bearing	2		●			
33	146.641	50 10 319 814	Distribution gear Z 29	1		●			
34		50 10 319 922	Bearings cage	1		●			
35		50 03 101 241	Screw	8		●			
36		00 21 247 008	Washer	8		●			

P1846A

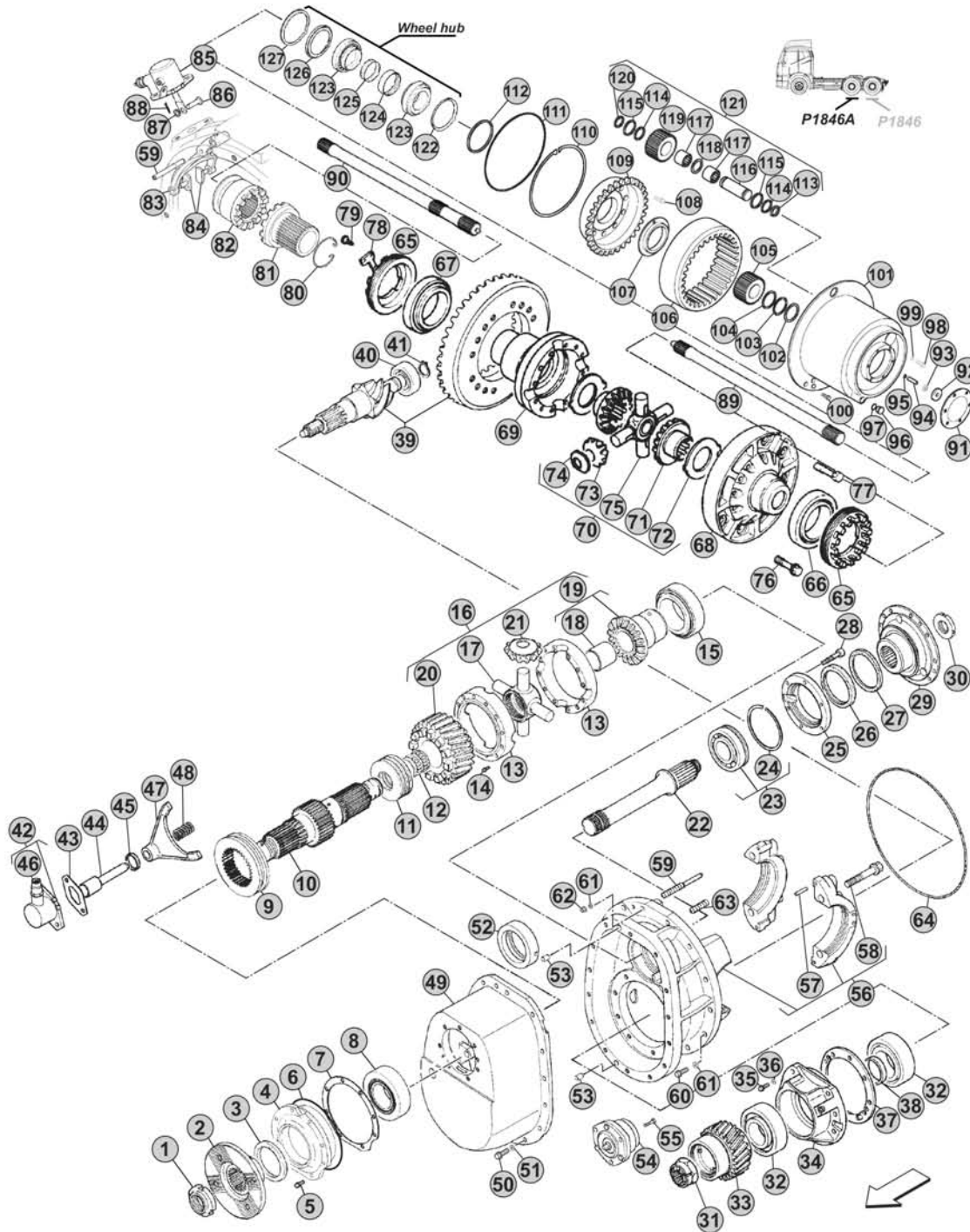
Date 12/2015 Notes _____

VERSIONS:

- INTERMEDIATE
- P1846A

APPLICATIONS:

- KERAX



Notes

Our spare parts are not the originals but interchangeable with the originals ones. All original equipment manufacturers' numbers, pictures and models used in this catalogue are for reference only. Our products bear our trade-mark.

Fig.	CEI no.	RENAULT no.	Description	Q.ty	Notes	P1846A			
37		50 10 443 624	Thrust washer mm. 0,25	0		●			
37		50 10 443 625	Thrust washer mm. 0,30	0		●			
37		50 10 443 626	Thrust washer mm. 0,40	0		●			
37		50 10 443 627	Thrust washer mm. 0,50	0		●			
37		50 10 443 628	Thrust washer mm. 0,60	0		●			
37		50 10 443 629	Thrust washer mm. 0,70	0		●			
37		50 10 443 630	Thrust washer mm. 1,00	0		●			
38	269.334	50 00 664 148	Spacer mm. 15,10	0		●			
38	269.335	50 00 664 149	Spacer mm. 15,60	0		●			
38		50 00 664 150	Spacer mm. 16,00	0		●			
39	194.953	50 10 443 865	Crown & Pinion 19x37 R.1,95	1		●			
40	130.739	50 00 785 250	Bearing	1		●			
41	111.268	74 00 914 465	Seeger ring	1		●			
42		50 10 443 728	Differential lock control	1		●			
43		50 10 534 386	Spacer mm. 1,50	0		●			
43		50 10 534 387	Spacer mm. 2,00	0		●			
43		50 10 534 388	Spacer mm. 2,50	0		●			
43		50 10 534 389	Spacer mm. 3,00	0		●			
43		50 10 534 390	Spacer mm. 3,50	0		●			
43		50 10 534 391	Spacer mm. 4,00	0		●			
43		50 10 534 392	Spacer mm. 4,50	0		●			
44		50 10 319 810	Gear shift rail	1		●			
45		50 10 241 099	Seal ring	1		●			
46		50 10 306 719	Sensor	1		●			
47	141.212	50 10 319 824	Fork	1		●			
48		00 00 190 092	Spring	1		●			
49		50 10 443 916	Front cover	1		●			
50		50 03 101 222	Screw	15		●			
51		50 03 057 048	Washer	15		●			
52		50 10 443 935	Joint	1		●			
53		00 23 387 040	Pin	2		●			
54		50 10 443 936	Oil Pump	1		●			
55		77 03 002 949	Screw	3		●			
56		50 10 319 932	Differential support housing	1		●			
57		50 10 610 282	Pin	4		●			
58		00 00 192 293	Screw	4		●			
59		50 00 664 081	Stud	1		●			
60		50 03 101 633	Screw	14		●			
61		00 21 247 008	Washer	16		●			
62		50 03 032 243	Nut	2		●			
63		50 03 027 443	Stud	1		●			
64	139.841	09 48 360 937	O-Ring	1		●			
65	187.745	50 00 664 855	Grooved nut	2		●			

P1846A

Date

12/2015

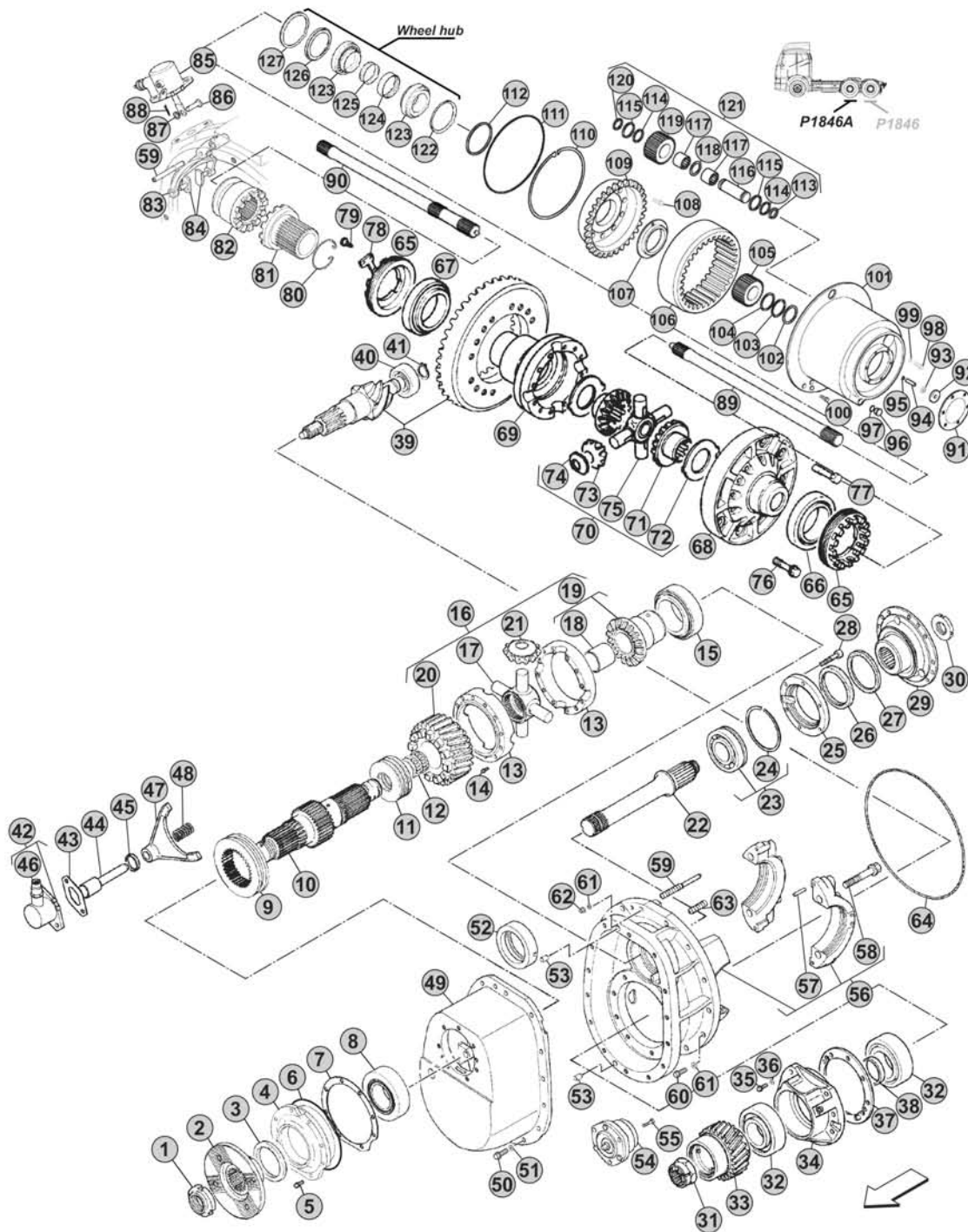
Notes

VERSIONS:

- INTERMEDIATE
- P1846A

APPLICATIONS:

- KERAX



Our spare parts are not the originals but interchangeable with the originals ones. All original equipment manufacturers' numbers, pictures and models used in this catalogue are for reference only. Our products bear our trade-mark.

Notes

Our spare parts are not the originals but interchangeable with the originals ones. All original equipment manufacturers' numbers, pictures and models used in this catalogue are for reference only. Our products bear our trade-mark.

Fig.	CEI no.	RENAULT no.	Description	Q.ty	Notes	P1846A			
66	130.740	50 10 241 094	Bearing	1		●			
67	130.822	50 10 241 096	Bearing	1	Premium brand	●			
67	530.822	50 10 241 096	Bearing	1	Aftermarket	●			
68	175.295	50 10 534 112	Differential half housing	1		●			
69	175.306	50 10 534 113	Differential half housing	1		●			
70	298.044	50 01 857 599	Differential kit	1		●			
71	122.174	50 10 443 927	Differential side gear	2		●			
72	269.018	50 00 671 226	Side gear thrust washer	2		●			
73	182.112	50 10 534 637	Differential side pinion	4		●			
74	269.017	50 10 534 114	Side pinion thrust washer	4		●			
75	133.158	50 00 675 792	Differential Spider	1		●			
76	187.727	50 00 671 332	Screw	16		●			
77	187.746	50 00 682 326	Screw	12		●			
78	188.306	50 00 654 526	Lock plate	2		●			
79	187.818	77 03 002 020	Screw	4		●			
80	111.408	50 00 671 227	Seeger ring	1		●			
81	154.401	50 00 671 457	Sleeve	1		●			
82	154.249	50 10 443 227	Block sleeve	1		●			
82	154.374	50 00 664 083	Block sleeve	1	(1)	●			
83		50 10 534 245	Fork	1		●			
83		50 00 671 498	Fork	1	(1)	●			
84	141.285	50 10 611 038	Sliding pad	2		●			
85		50 10 244 374	Differential lock control	1		●			
85		50 10 319 698	Differential lock control	1	(1)	●			
86		50 10 292 740	Pin	1		●			
87		74 20 920 460	Washer	1		●			
88		50 03 068 082	Cotter pin	1		●			
89		50 10 534 626	Drive shaft	1		●			
90		50 10 534 627	Drive shaft	1		●			
91		74 20 862 828	Cover	1		●			
92		74 20 862 940	Magnet	1		●			
93		50 01 863 631	Thrust washer	1		●			
94		74 20 862 853	Pin	1		●			
95		50 01 863 633	Ring	1		●			
96		74 00 981 281	Plug	1		●			
97		74 00 957 187	Gasket	1		●			
98		74 00 994 445	Screw	6		●			
99		74 00 994 893	Washer	6		●			
100		74 20 920 941	Screw	2		●			
101	175.284	74 03 191 854	Wheel hub support	1		●			
102		50 01 863 628	Thrust washer	1		●			
103		50 01 863 626	Thrust washer	1		●			
104		50 01 863 627	Thrust washer	1		●			

P1846A

Date

12/2015

Notes

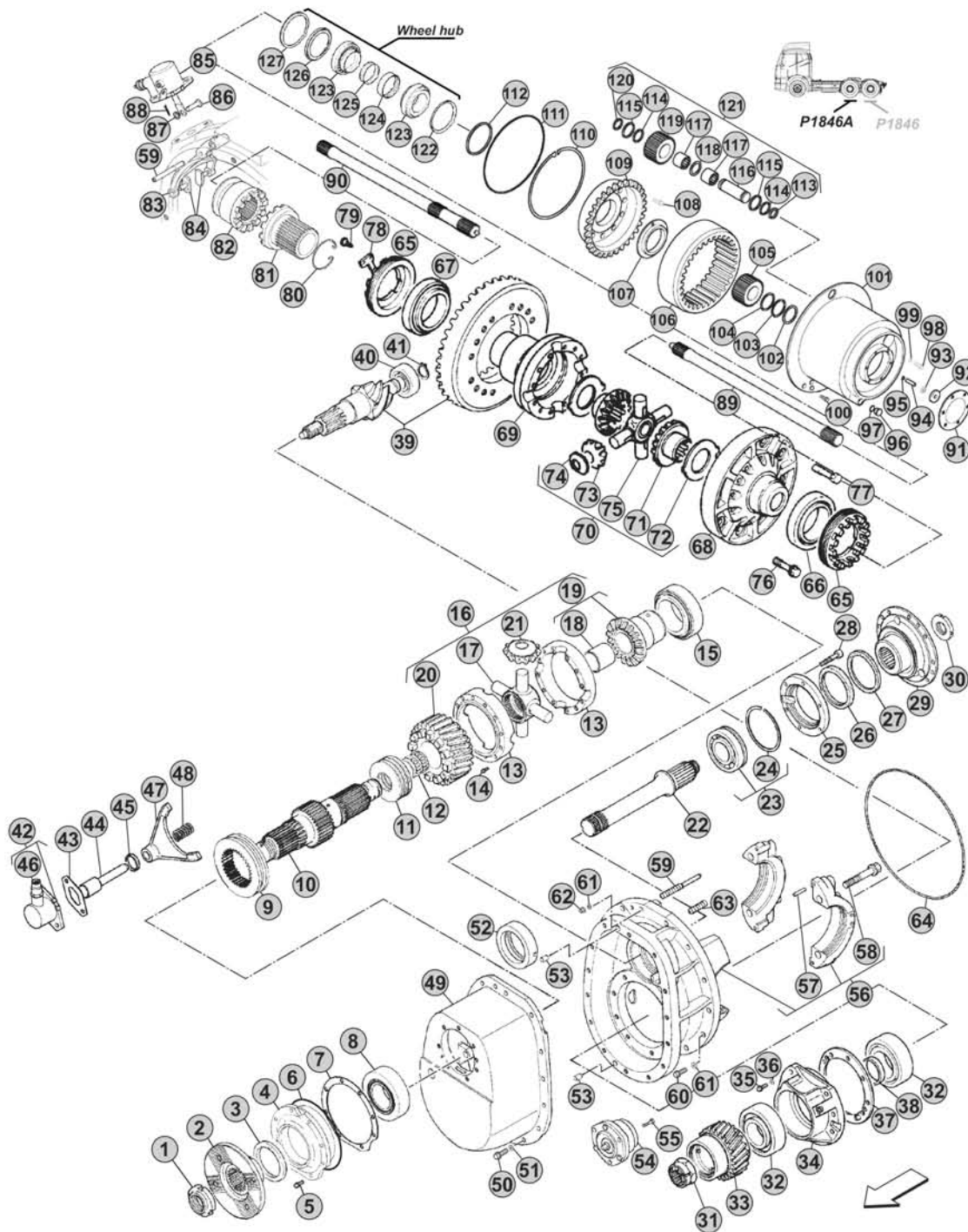
(1) To be coupled together

VERSIONS:

- INTERMEDIATE
- P1846A

APPLICATIONS:

- KERAX



Notes

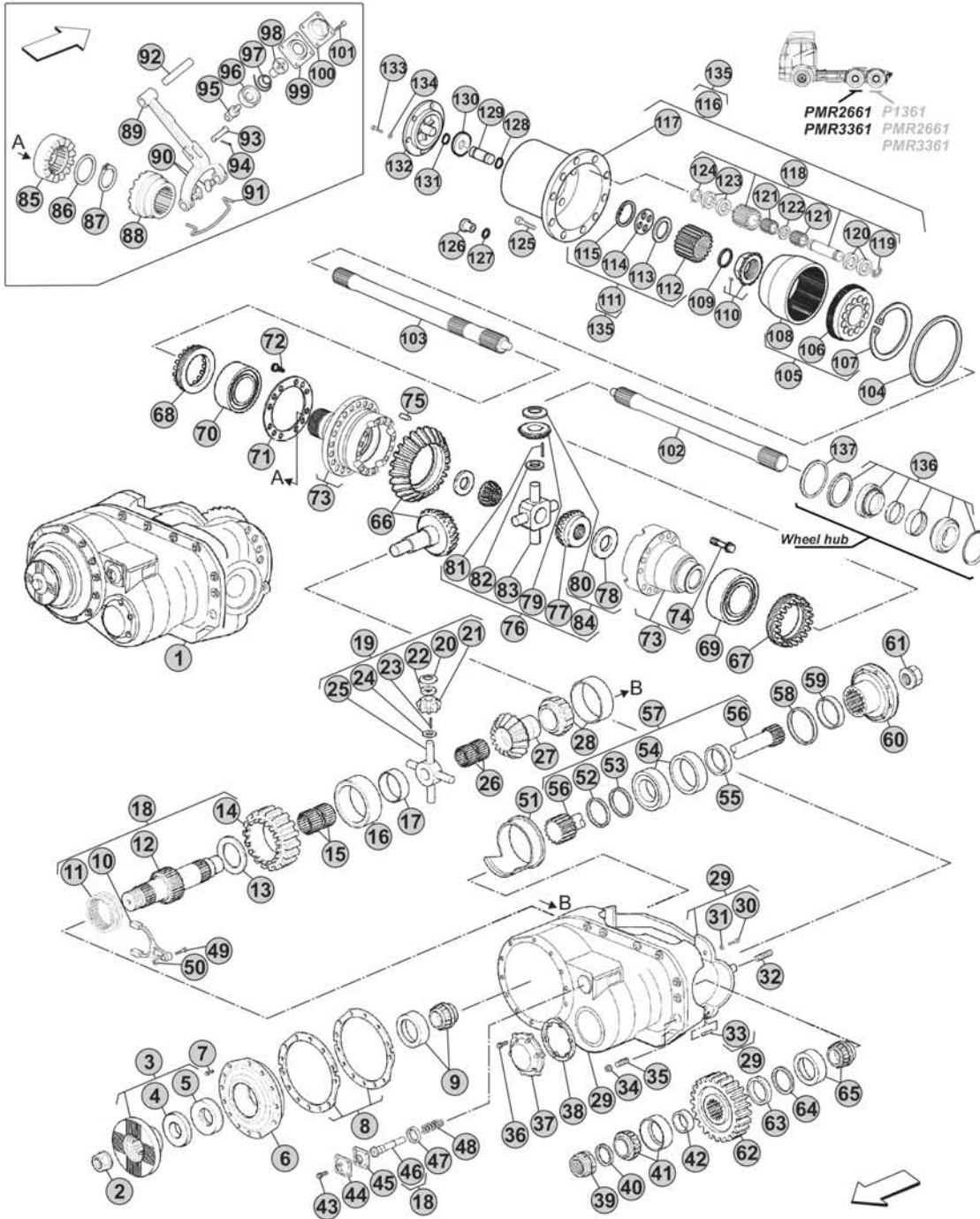
[Blank area for notes]

VERSIONS:

- INTERMEDIATE
PMR2661
- INTERMEDIATE
PMR3361

APPLICATIONS:

- PREMIUM (PMR2661)
- KERAX



Notes

Our spare parts are not the originals but interchangeable with the originals ones. All original equipment manufacturers' numbers, pictures and models used in this catalogue are for reference only. Our products bear our trade-mark.

Fig.	CEI no.	RENAULT no.	Description	Q.ty	Notes	PMR2661	PMR3361			
1		74 22 014 374	Differential Int.Assy 25x25 R.1,00	1	100 Km/h	●	●			
1		74 21 192 412	Differential Int.Assy 24x25 R.1,04	1	96 Km/h	●	●			
1		74 22 014 376	Differential Int.Assy 23x25 R.1,09	1	92 Km/h	●	●			
1		74 22 014 377	Differential Int.Assy 21x25 R.1,19	1	84 Km/h	●	●			
1		74 22 014 378	Differential Int.Assy 19x25 R.1,32	1	76 Km/h	●	●			
1		74 22 014 379	Differential Int.Assy 20x27 R.1,35	1	74 Km/h	●	●			
1		74 21 192 418	Differential Int.Assy 19x30 R.1,58	1	63 Km/h	●	●			
1		74 22 014 382	Differential Int.Assy 14x25 R.1,79	1	56 Km/h	●	●			
1		74 22 014 383	Differential Int.Assy 12x25 R.2,08	1	48 Km/h	●	●			
2	187.613	74 08 171 338	Grooved nut	1		●	●			
3	197.297	74 21 635 820	Flange	1		●	●			
4	139.812	74 01 672 045	Dust cover	1		●	●			
5	239.055	74 21 448 461	Oil Seal	1		●	●			
6		74 21 581 628	Bearings cage	1		●	●			
7		74 00 984 816	Screw	13		●	●			
8		74 01 069 122	Thrust washer mm. 0,25	0		●	●			
8		74 01 524 895	Thrust washer mm. 0,30	0		●	●			
8		74 01 524 896	Thrust washer mm. 0,35	0		●	●			
8		74 01 524 897	Thrust washer mm. 0,40	0		●	●			
8		74 01 524 898	Thrust washer mm. 0,45	0		●	●			
8		74 01 524 900	Thrust washer mm. 0,50	0		●	●			
9	130.336	74 01 524 058	Bearing	1	Premium brand	●	●			
9	530.336	74 01 524 058	Bearing	1	Aftermarket	●	●			
10	141.211	74 03 152 715	Fork	1		●	●			
11	154.400	74 03 152 714	Block sleeve	1		●	●			
12	105.206	74 20 480 075	Distribution shaft	1		●	●			
13	130.335	74 21 793 022	Bearing	1		●	●			
14	146.639	74 08 172 930	Distribution gear Z 31	1		●	●			
15	137.250	74 01 524 881	Needle Cage	1		●	●			
16	169.987	74 01 524 888	Differential housing	1		●	●			
17	169.986	74 01 524 882	Spacer	1		●	●			
18	298.435	74 20 525 441	Distribution shaft kit	1		●	●			
19	198.999	74 21 302 536	Differential kit	1		●	●			
20	169.985	74 01 524 887	Side pinion thrust washer	4		●	●			
21	182.088	74 01 524 886	Differential side pinion	4		●	●			
22	115.027	74 01 524 884	Ring	4		●	●			
23	171.029	74 01 522 345	Needle	0		●	●			
24	115.028	74 01 524 885	Ring	2		●	●			
25	133.150	74 01 524 883	Differential Spider	1		●	●			
26	137.249	74 00 181 632	Needle Cage	1		●	●			
27	122.123	74 01 524 889	Differential side gear	1		●	●			
28	130.334	74 01 524 061	Bearing	1		●	●			
29		74 22 014 394	Differential support housing	1		●	●			

PMR2661 - PMR3361

Date

12/2015

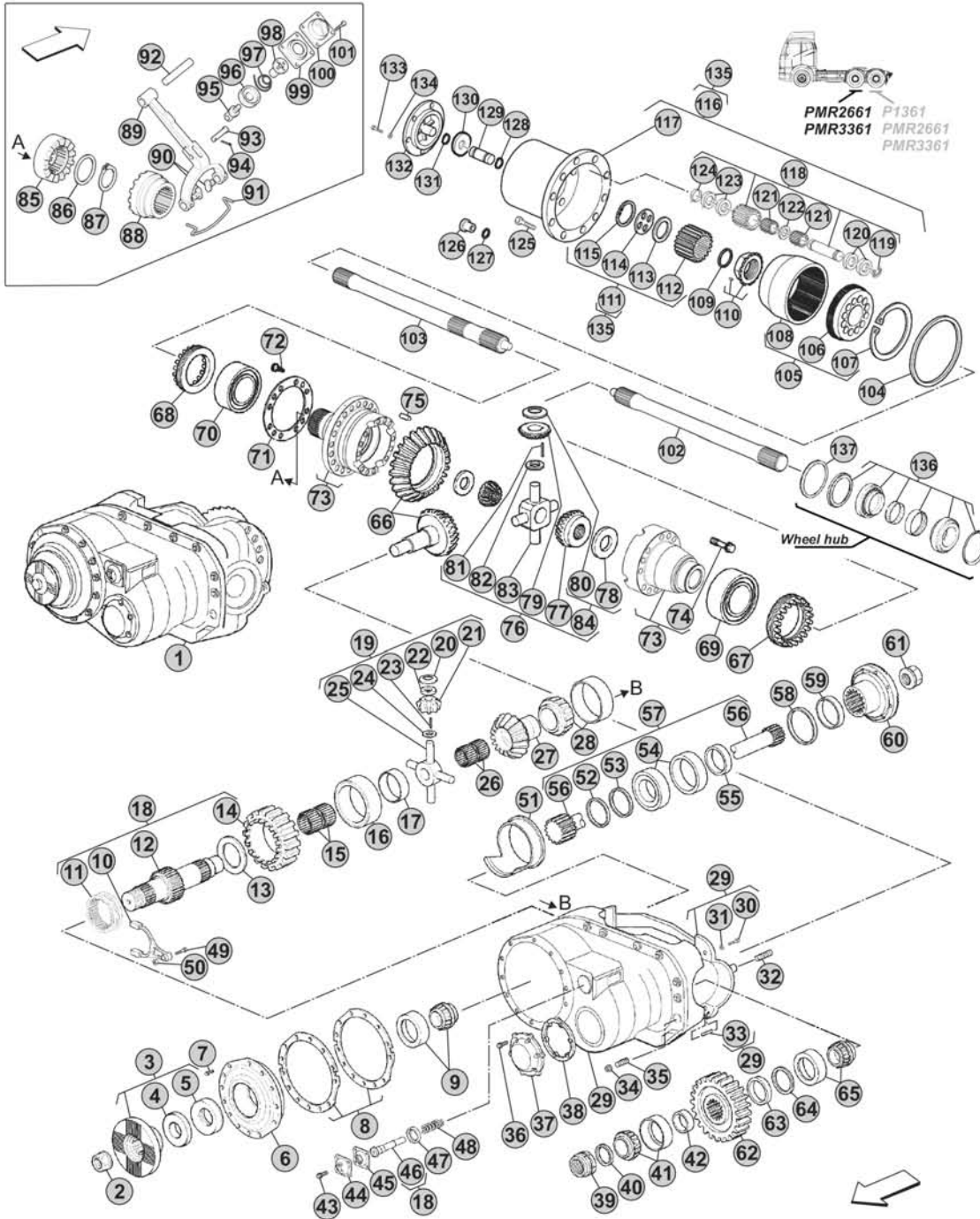
Notes

VERSIONS:

- INTERMEDIATE
PMR2661
- INTERMEDIATE
PMR3361

APPLICATIONS:

- PREMIUM (PMR2661)
- KERAX



Notes

Our spare parts are not the originals but interchangeable with the originals ones. All original equipment manufacturers' numbers, pictures and models used in this catalogue are for reference only. Our products bear our trade-mark.

Fig.	CEI no.	RENAULT no.	Description	Q.ty	Notes	PMR2661	PMR3361			
30		74 20 521 373	Screw	4		●	●			
31		74 20 521 399	Washer	4		●	●			
32		74 01 069 782	Screws kit	1		●	●			
33		74 00 951 989	Pin	2		●	●			
34		50 03 033 011	Nut	2		●	●			
35		74 03 152 071	Stud	2		●	●			
36	287.031	74 00 984 735	Screw	6		●	●			
37	128.201	74 03 192 161	Cover	1		●	●			
38		74 03 192 160	Gasket	1		●	●			
39	187.610	74 08 171 334	Grooved nut	1		●	●			
40	167.129	74 00 948 650	Washer	1		●	●			
41	130.511	74 01 524 985	Bearing	1		●	●			
42		74 20 477 899	Spacer mm. 7,54	0		●	●			
42		74 20 477 900	Spacer mm. 7,62	0		●	●			
42		74 20 477 901	Spacer mm. 7,76	0		●	●			
42		74 20 477 902	Spacer mm. 7,78	0		●	●			
42		74 20 477 903	Spacer mm. 7,80	0		●	●			
42		74 20 477 904	Spacer mm. 7,82	0		●	●			
43	287.031	74 00 984 735	Screw	4		●	●			
44		74 20 706 809	Cover	1		●	●			
45		74 20 545 485	Diaphragm	1		●	●			
46	149.263	74 20 501 456	Gear shift rail	1		●	●			
47	269.849	74 20 545 487	Diaphragm	1		●	●			
48		74 01 524 891	Spring	1		●	●			
49	187.744	74 20 487 859	Screw	1		●	●			
50	139.768	74 20 487 921	Nut	1		●	●			
51		74 01 069 030	Oil Deflector	1		●	●			
52		74 00 949 321	Seeger ring	1		●	●			
53		74 01 523 988	Spacer	1		●	●			
54	130.333	74 01 524 988	Bearing	2		●	●			
55		74 01 524 842	Spacer	1		●	●			
56	170.165	74 01 524 837	Distribution drive shaft	1		●	●			
57	170.351	56 00 707 712	Complete distribution drive shaft	1		●	●			
58		74 00 914 542	Ring	1		●	●			
59	139.611	74 01 524 838	Oil Seal	1		●	●			
60	197.298	74 21 713 143	Flange	1		●	●			
61	187.692	74 01 673 393	Nut	1		●	●			
62	146.568	74 01 524 953	Distribution gear Z 31	1		●	●			
63		74 01 524 997	Spacer L. 62,30 mm.	0		●	●			
63		74 01 524 996	Spacer L. 62,80 mm.	0		●	●			
63		74 01 524 870	Spacer L. 63,30 mm.	0		●	●			
64		74 00 941 291	Thrust washer mm. 0,10	0		●	●			
64		74 00 948 599	Thrust washer mm. 0,15	0		●	●			

PMR2661 - PMR3361

Date

12/2015

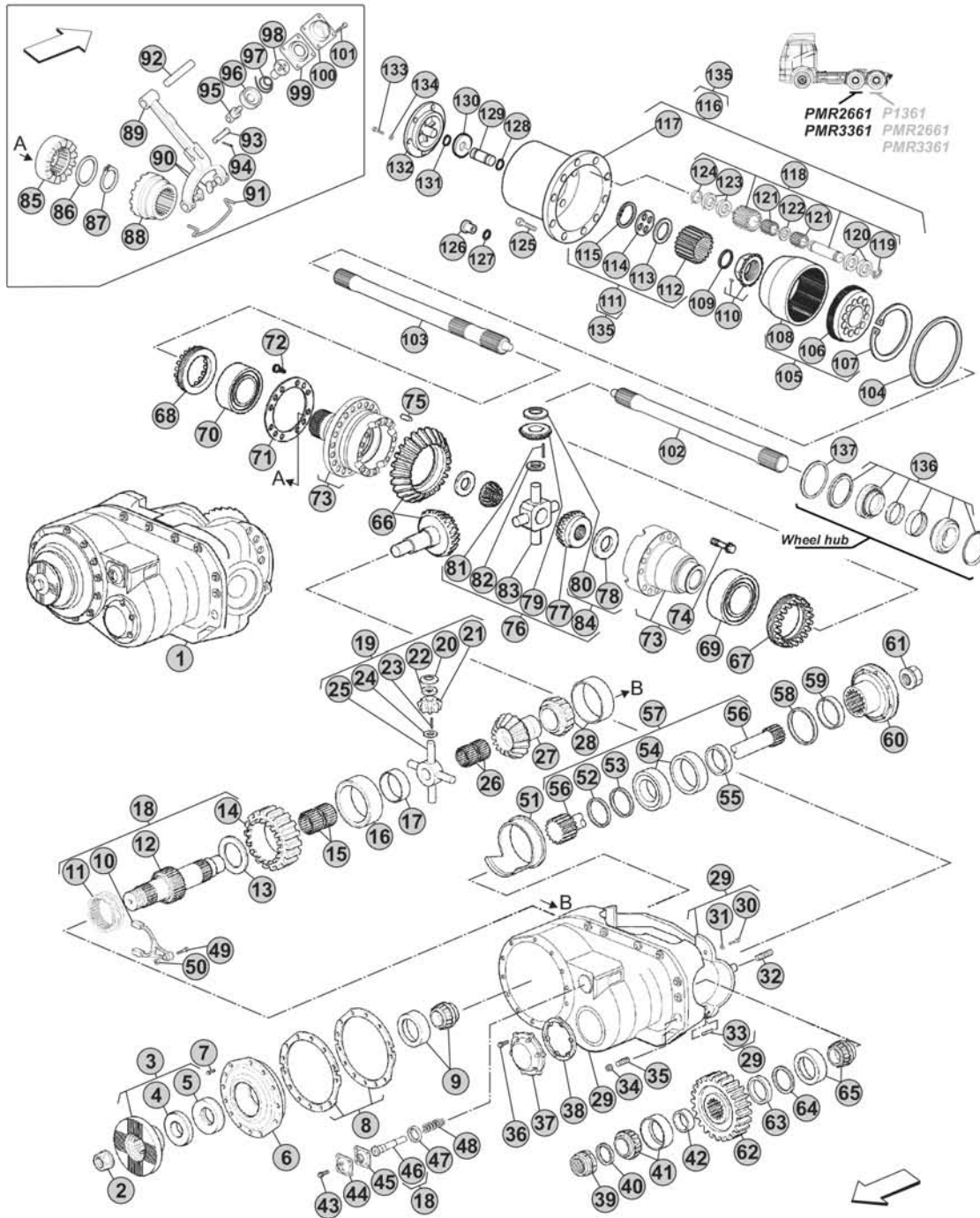
Notes

VERSIONS:

- INTERMEDIATE
PMR2661
- INTERMEDIATE
PMR3361

APPLICATIONS:

- PREMIUM (PMR2661)
- KERAX



Notes

Our spare parts are not the originals but interchangeable with the originals ones. All original equipment manufacturers' numbers, pictures and models used in this catalogue are for reference only. Our products bear our trade-mark.

Fig.	CEI no.	RENAULT no.	Description	Q.ty	Notes	PMR2661	PMR3361			
64		74 00 941 292	Thrust washer mm. 0,35	0		●	●			
64		74 00 941 293	Thrust washer mm. 0,50	0		●	●			
65	130.331	74 00 181 396	Bearing	1		●	●			
66	294.365	74 21 302 526	Crown & Pinion 25x25 R.1,00	1	(1) 100 Km/h	●	●			
66	294.366	74 21 302 527	Crown & Pinion 24x25 R.1,04	1	(1) 96 Km/h	●	●			
66	294.367	74 21 302 528	Crown & Pinion 23x25 R.1,09	1	(2) 92 Km/h	●	●			
66	294.368	74 21 302 529	Crown & Pinion 21x25 R.1,19	1	(2) 84 Km/h	●	●			
66	294.369	74 21 302 530	Crown & Pinion 19x25 R.1,32	1	(3) 76 Km/h	●	●			
66	294.370	74 21 302 531	Crown & Pinion 20x27 R.1,35	1	(3) 74 Km/h	●	●			
66	294.371	74 21 302 533	Crown & Pinion 19x30 R.1,58	1	(3) 63 Km/h	●	●			
66	294.372	74 21 302 534	Crown & Pinion 14x25 R.1,79	1	(3) 56 Km/h	●	●			
66	294.373	74 21 302 535	Crown & Pinion 12x25 R.2,08	1	(3) 48 Km/h	●	●			
67	187.694	74 01 673 663	Grooved nut	1		●	●			
68	187.693	74 01 673 664	Grooved nut	1		●	●			
69	130.332	74 00 184 623	Bearing	1		●	●			
70	130.337	74 01 524 857	Bearing	1		●	●			
71	188.206	74 01 524 861	Lock plate	1		●	●			
72	187.684	74 00 994 486	Screw	10	(1-2)	●	●			
72	187.685	74 00 963 311	Screw	10	(3)	●	●			
73	199.160	74 21 302 523	Differential housing	1	(1)	●	●			
73	199.161	74 21 302 521	Differential housing	1	(2)	●	●			
73	199.162	74 21 302 522	Differential housing	1	(3)	●	●			
74	187.984	74 00 959 281	Screw	12		●	●			
75	160.228	74 00 950 677	Pin	10	(1-2)	●	●			
75	160.229	74 00 950 679	Pin	10	(3)	●	●			
76	198.791	74 20 523 491	Differential kit	1		●	●			
77	122.090	74 20 503 270	Differential side gear	2		●	●			
78	169.746	74 01 524 716	Side gear thrust washer	6		●	●			
79	182.065	74 20 503 268	Differential side pinion	4		●	●			
80	169.745	74 01 522 347	Side pinion thrust washer	4		●	●			
81	171.029	74 01 522 345	Needle	0		●	●			
82	115.022	74 01 522 344	Ring	4		●	●			
83	133.110	74 01 522 343	Differential Spider	1		●	●			
84	298.510	74 20 580 182	Differential thrust washers kit	1		●	●			
85	154.265	74 01 522 353	Sleeve	1		●	●			
86		74 01 522 355	Thrust washer	1		●	●			
87		74 00 914 480	Seeger ring	1		●	●			
88	154.266	74 01 522 354	Block sleeve	1		●	●			
89		74 01 069 372	Fork	1		●	●			
90	141.286	74 01 523 087	Sliding pad	2		●	●			
91		74 01 523 084	Spring	1		●	●			
92		74 03 152 043	Pin	1		●	●			
93		74 00 964 845	Pin	1		●	●			

PMR2661 - PMR3361

Date

12/2015

Notes

(1) To be coupled together

(2) To be coupled together

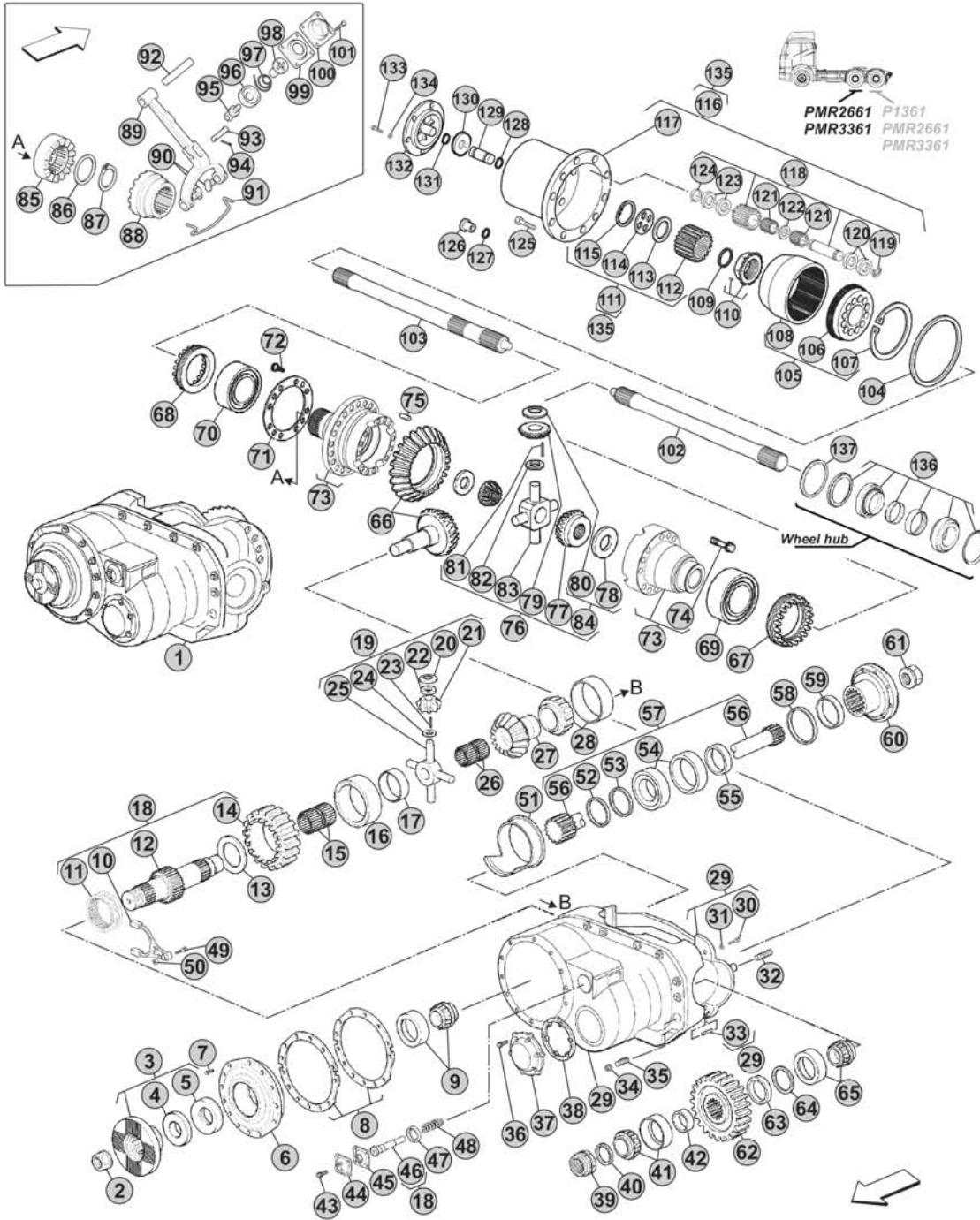
(3) To be coupled together

VERSIONS:

- INTERMEDIATE
PMR2661
- INTERMEDIATE
PMR3361

APPLICATIONS:

- PREMIUM (PMR2661)
- KERAX



Notes

Our spare parts are not the originals but interchangeable with the originals ones. All original equipment manufacturers' numbers, pictures and models used in this catalogue are for reference only. Our products bear our trade-mark.

Fig.	CEI no.	RENAULT no.	Description	Q.ty	Notes	PMR2661	PMR3361			
94		74 00 907 822	Cotter pin	1		●	●			
95		74 03 152 163	Union	1		●	●			
96		74 20 545 488	Diaphragm seat	1		●	●			
97		74 03 152 042	Spring	1		●	●			
98		74 03 152 044	Sleeve	1		●	●			
99		74 03 152 046	Diaphragm	1		●	●			
100		74 20 706 809	Cover	1		●	●			
101	287.031	74 00 984 735	Screw	4		●	●			
102		74 03 191 864	Drive shaft	1			●			
102		74 03 191 860	Drive shaft	1		●				
103		74 03 191 865	Drive shaft	1			●			
103		74 03 191 861	Drive shaft	1		●				
104		74 00 982 108	O-Ring	1		●	●			
105	123.340	56 00 707 662	Wheel reduction gear crown	1	R.3,33		●			
105	123.341	56 00 707 663	Wheel reduction gear crown	1	R.3,46	●	●			
106	150.279	74 21 188 557	Gear crown support	1	R.3,33		●			
106	150.278	74 21 188 558	Gear crown support	1	R.3,46	●	●			
107	111.409	74 01 522 392	Seeger ring	1		●	●			
108	123.342	74 21 188 559	Wheel reduction gear crown	1	R.3,33		●			
108	123.260	74 01 522 380	Wheel reduction gear crown	1	R.3,46	●	●			
109	139.928	74 01 522 373	Oil Seal	1		●	●			
110		74 21 302 577	Nut	1		●	●			
111	157.253	74 21 302 575	Wheel reduction gear sun gear	1	R.3,33		●			
111	157.252	74 21 302 576	Wheel reduction gear sun gear	1	R.3,46	●	●			
112	157.254	74 21 188 560	Wheel reduction gear sun gear	1	R.3,33		●			
112	157.255	74 21 249 925	Wheel reduction gear sun gear	1	R.3,46	●	●			
113		74 01 673 500	Thrust washer	1		●	●			
114	169.988	74 01 522 393	Spacer	1		●	●			
115	111.283	74 00 914 532	Seeger ring	1		●	●			
116	298.511	74 21 302 561	Wheel hub support assy	1	R.3,33		●			
116	298.512	74 21 302 562	Wheel hub support assy	1	R.3,46		●			
116	298.513	74 21 302 557	Wheel hub support assy	1	R.3,33	●				
116	298.514	74 21 302 558	Wheel hub support assy	1	R.3,46	●				
117	175.283	74 03 191 853	Wheel hub support	1	R.3,33	●	●			
117	175.284	74 03 191 854	Wheel hub support	1	R.3,46	●	●			
118	298.515	74 21 302 578	Wheel reduction side pinion kit	1	R.3,33	●	●			
118	298.516	74 21 302 579	Wheel reduction side pinion kit	1	R.3,46	●	●			
119	111.404	74 00 914 463	Retainer ring	1	R.3,46	●	●			
120	169.779	74 08 171 165	Thrust washer	6	R.3,46	●	●			
121	171.086	74 01 522 387	Needle	0	R.3,46	●	●			
122	269.706	74 01 522 388	Spacer	3	R.3,46	●	●			
123	169.780	74 08 171 167	Thrust washer	6	R.3,46	●	●			
124	111.398	74 00 949 721	O-Ring	3	R.3,46	●	●			

PMR2661 – PMR3361

Date

Notes

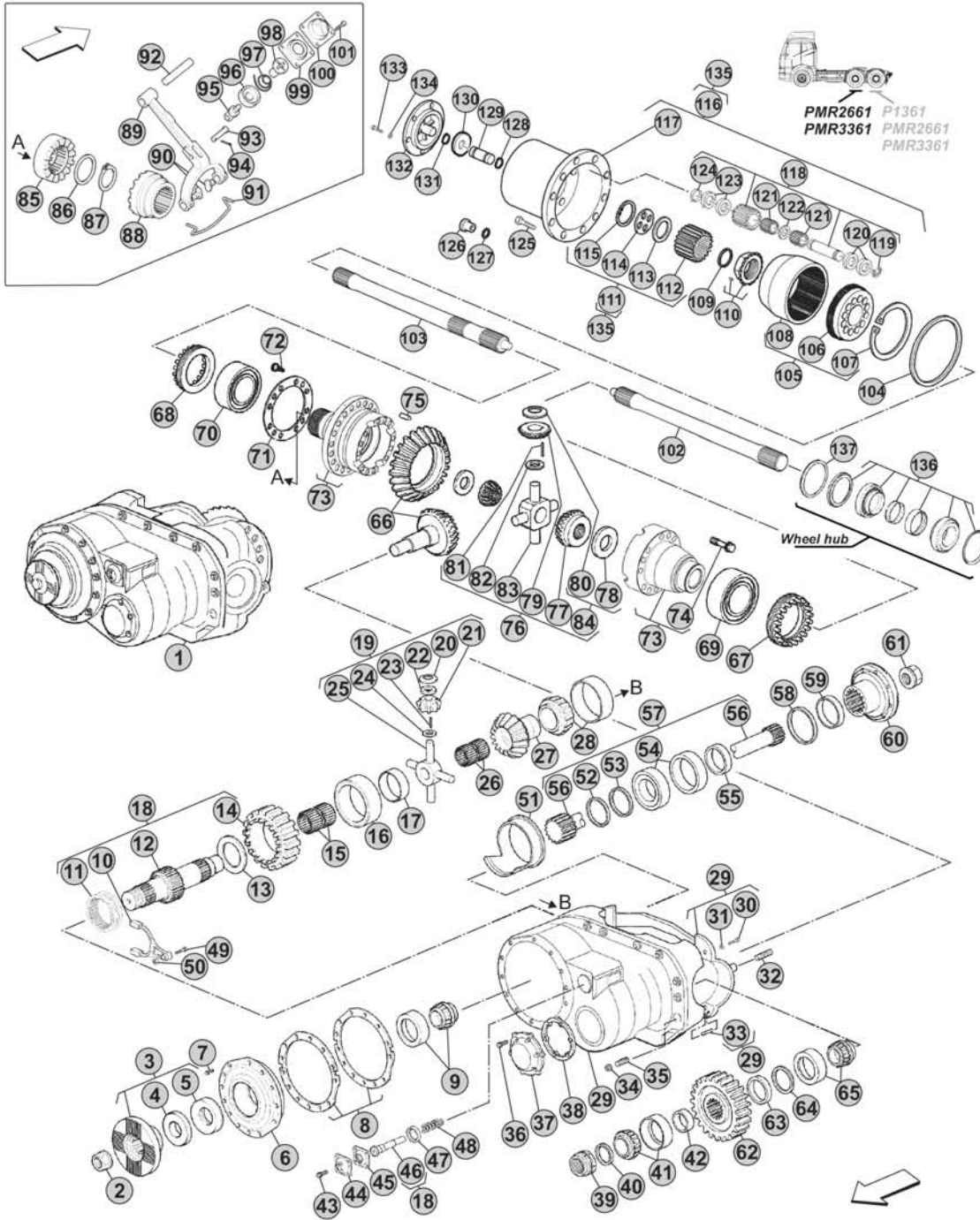
12/2015

VERSIONS:

- INTERMEDIATE
PMR2661
- INTERMEDIATE
PMR3361

APPLICATIONS:

- PREMIUM (PMR2661)
- KERAX



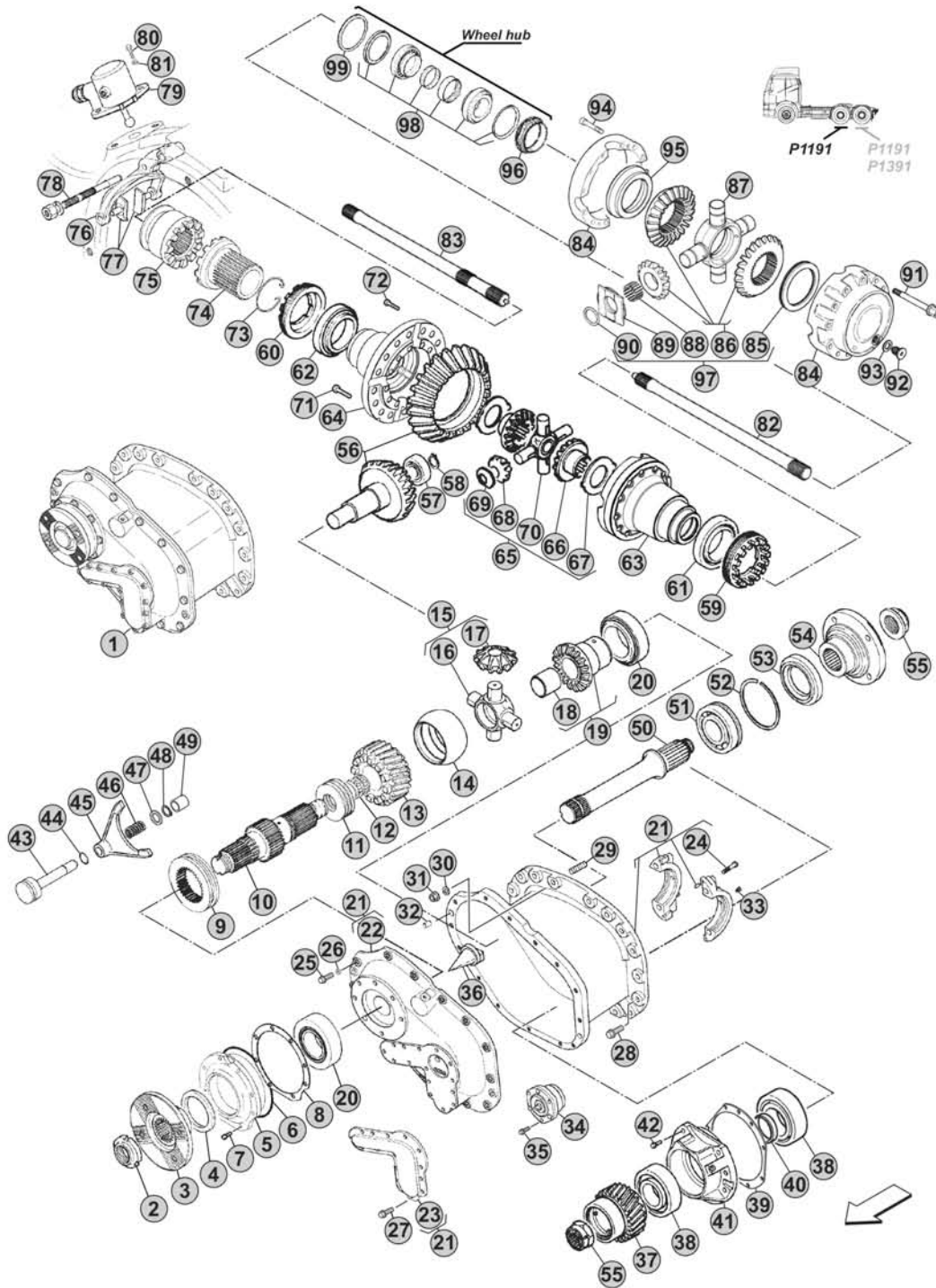
Notes

VERSIONS:

- INTERMEDIATE P1191

APPLICATIONS:

- PREMIUM



Notes

Our spare parts are not the originals but interchangeable with the originals ones. All original equipment manufacturers' numbers, pictures and models used in this catalogue are for reference only. Our products bear our trade-mark.

Fig.	CEI no.	RENAULT no.	Description	Q.ty	Notes	P1191				
1		74 20 724 954	Differential Int.Assy 25x37 R.1,48	1	100 Km/h	●				
1		74 20 724 955	Differential Int.Assy 24x37 R.1,54	1	96 Km/h	●				
1		74 20 724 956	Differential Int.Assy 23x37 R.1,61	1	92 Km/h	●				
1		74 20 724 957	Differential Int.Assy 22x37 R.1,68	1	88 Km/h	●				
1		74 20 724 958	Differential Int.Assy 21x37 R.1,76	1	84 Km/h	●				
1		74 20 724 959	Differential Int.Assy 20x37 R.1,85	1	80 Km/h	●				
1		74 20 724 960	Differential Int.Assy 19x37 R.1,95	1	76 Km/h	●				
1		74 20 724 961	Differential Int.Assy 17x35 R.2,06	1	72 Km/h	●				
1		74 20 724 962	Differential Int.Assy 17x37 R.2,18	1	68 Km/h	●				
1		74 20 724 963	Differential Int.Assy 16x37 R.2,31	1	64 Km/h	●				
1		74 20 724 964	Differential Int.Assy 17x41 R.2,41	1	61 Km/h	●				
1		74 20 724 965	Differential Int.Assy 16x41 R.2,56	1	58 km/h	●				
1		74 20 724 966	Differential Int.Assy 14x38 R.2,71	1	55 Km/h	●				
1		74 20 724 967	Differential Int.Assy 14x41 R.2,93	1	51 Km/h	●				
1		74 20 724 968	Differential Int.Assy 13x41 R.3,15	1	47 Km/h	●				
2	187.724	50 10 241 239	Nut	1		●				
3	197.149	50 10 534 791	Flange	1		●				
4	139.758	50 10 534 863	Oil Seal	1		●				
5		50 10 534 678	Bearings cage	1		●				
6		50 03 065 205	O-Ring	1		●				
7		77 03 002 692	Screw	8		●				
8		50 10 443 944	Thrust washer mm. 0,10	0		●				
8		50 10 443 943	Thrust washer mm. 0,15	0		●				
8		50 10 443 942	Thrust washer mm. 0,20	0		●				
8		50 10 443 941	Thrust washer mm. 0,30	0		●				
8		50 10 443 940	Thrust washer mm. 0,40	0		●				
8		50 10 443 939	Thrust washer mm. 0,50	0		●				
8		50 10 443 938	Thrust washer mm. 0,60	0		●				
8		50 10 443 937	Thrust washer mm. 1,00	0		●				
9	154.402	50 10 319 821	Block sleeve	1		●				
10	105.213	50 10 534 575	Distribution shaft	1		●				
11	269.099	50 10 534 881	Spacer	3		●				
12	130.757	50 10 534 809	Needle Cage	1		●				
13	145.949	50 10 534 684	Distribution gear Z 43	1		●				
14	175.330	50 10 534 686	Differential housing	1		●				
15	298.509	74 20 946 039	Differential kit	1		●				
16	133.169	50 10 534 687	Differential Spider	1		●				
17	182.113	50 10 534 688	Differential side pinion	1		●				
18	117.392	50 05 010 002	Bush	1		●				
19	122.157	50 10 534 840	Differential side gear	1		●				
20	130.744	74 21 260 660	Bearing	2		●				
21		74 20 807 627	Differential support housing	1		●				
22		74 20 831 558	Front cover	1		●				

P1191

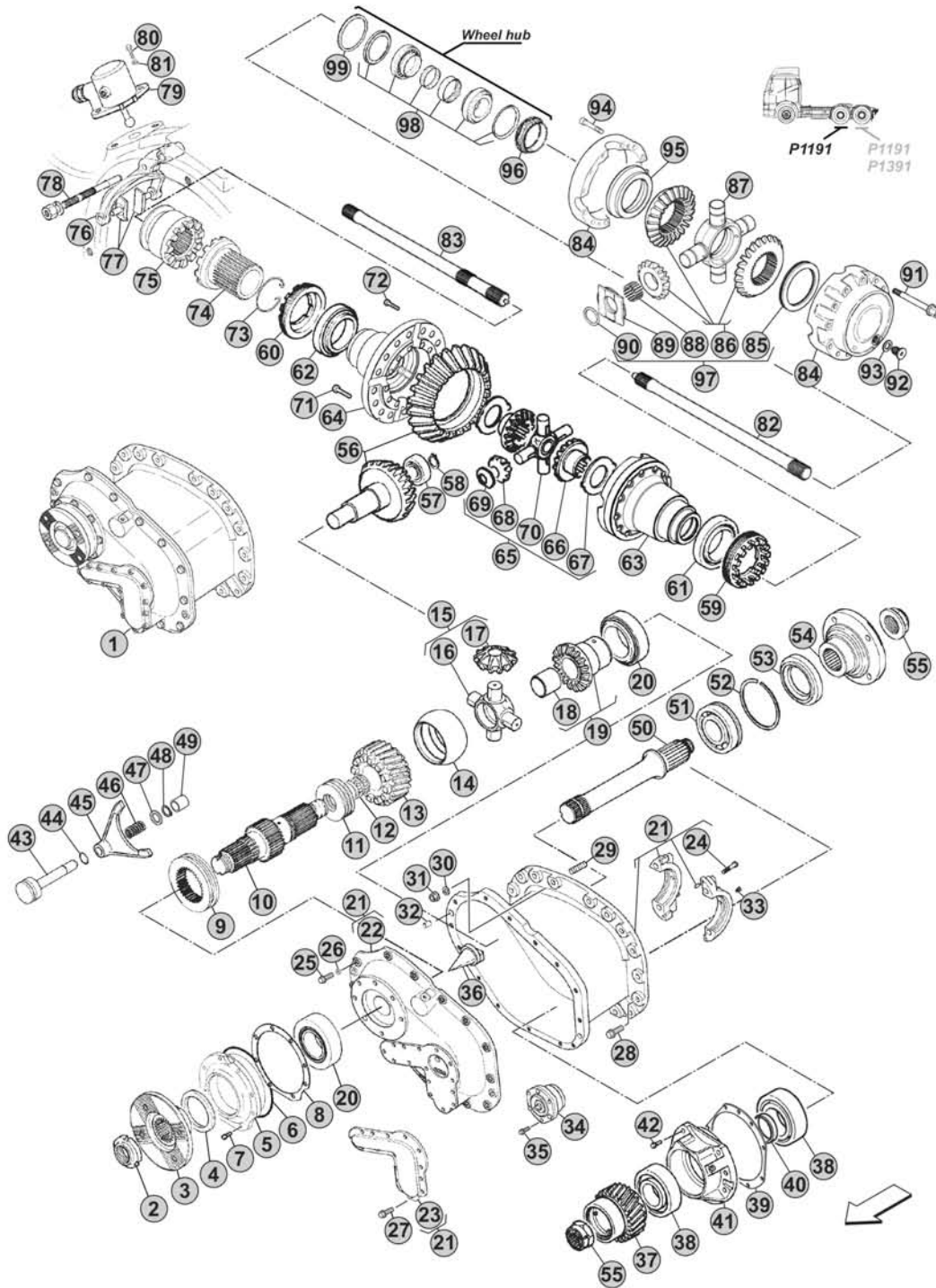
Date 12/2015 **Notes** _____

VERSIONS:

- INTERMEDIATE P1191

APPLICATIONS:

- PREMIUM



Notes

Our spare parts are not the originals but interchangeable with the originals ones. All original equipment manufacturers' numbers, pictures and models used in this catalogue are for reference only. Our products bear our trade-mark.

Fig.	CEI no.	RENAULT no.	Description	Q.ty	Notes	P1191				
23		74 20 831 563	Cover	1		●				
24		50 10 534 647	Screw	4		●				
25		50 03 101 222	Screw	14		●				
26		50 03 057 048	Washer	14		●				
27		50 03 101 728	Screw	13		●				
28		50 10 534 653	Screw	11		●				
29		50 10 610 002	Stud	7		●				
30		00 00 141 014	Washer	7		●				
31		50 03 032 265	Nut	7		●				
32		00 23 387 040	Pin	2		●				
33	187.730	50 00 695 135	Screw	2		●				
34		50 10 443 936	Oil Pump	1		●				
35		77 03 002 949	Screw	3		●				
36		50 10 534 962	Oil Deflector	1		●				
37	146.643	50 10 534 685	Distribution gear	1		●				
38	130.745	50 00 682 795	Bearing	2		●				
39		50 10 534 932	Thrust washer mm. 0,25	0		●				
39		50 10 534 933	Thrust washer mm. 0,30	0		●				
39		50 10 534 934	Thrust washer mm. 0,40	0		●				
39		50 10 534 935	Thrust washer mm. 0,50	0		●				
39		50 10 534 936	Thrust washer mm. 0,60	0		●				
39		50 10 534 937	Thrust washer mm. 0,70	0		●				
39		50 10 534 938	Thrust washer mm. 1,00	0		●				
40	269.334	50 00 664 148	Spacer mm. 15,10	0		●				
40	269.335	50 00 664 149	Spacer mm. 15,60	0		●				
40		50 00 664 150	Spacer mm. 16,00	0		●				
41		50 10 534 930	Bearings cage	1		●				
42		50 03 009 177	Screw	9		●				
43		50 10 534 890	Gear shift rail	1		●				
44		50 03 065 085	O-Ring	1		●				
45	141.212	50 10 319 824	Fork	1		●				
46		00 00 190 092	Spring	1		●				
47		50 10 534 902	Spacer	1		●				
48		74 00 914 454	Seeger ring	1		●				
49		50 10 534 893	Spacer L. 41,70 mm.	0		●				
49		50 10 534 894	Spacer L. 42,20 mm.	0		●				
49		50 10 534 895	Spacer L. 42,70 mm.	0		●				
49		50 10 534 896	Spacer L. 43,20 mm.	0		●				
49		50 10 534 897	Spacer L. 43,70 mm.	0		●				
49		50 10 534 898	Spacer L. 44,20 mm.	0		●				
49		50 10 534 899	Spacer L. 44,70 mm.	0		●				
49		50 10 534 900	Spacer L. 45,20 mm.	0		●				
49		50 10 534 901	Spacer L. 45,70 mm.	0		●				

P1191

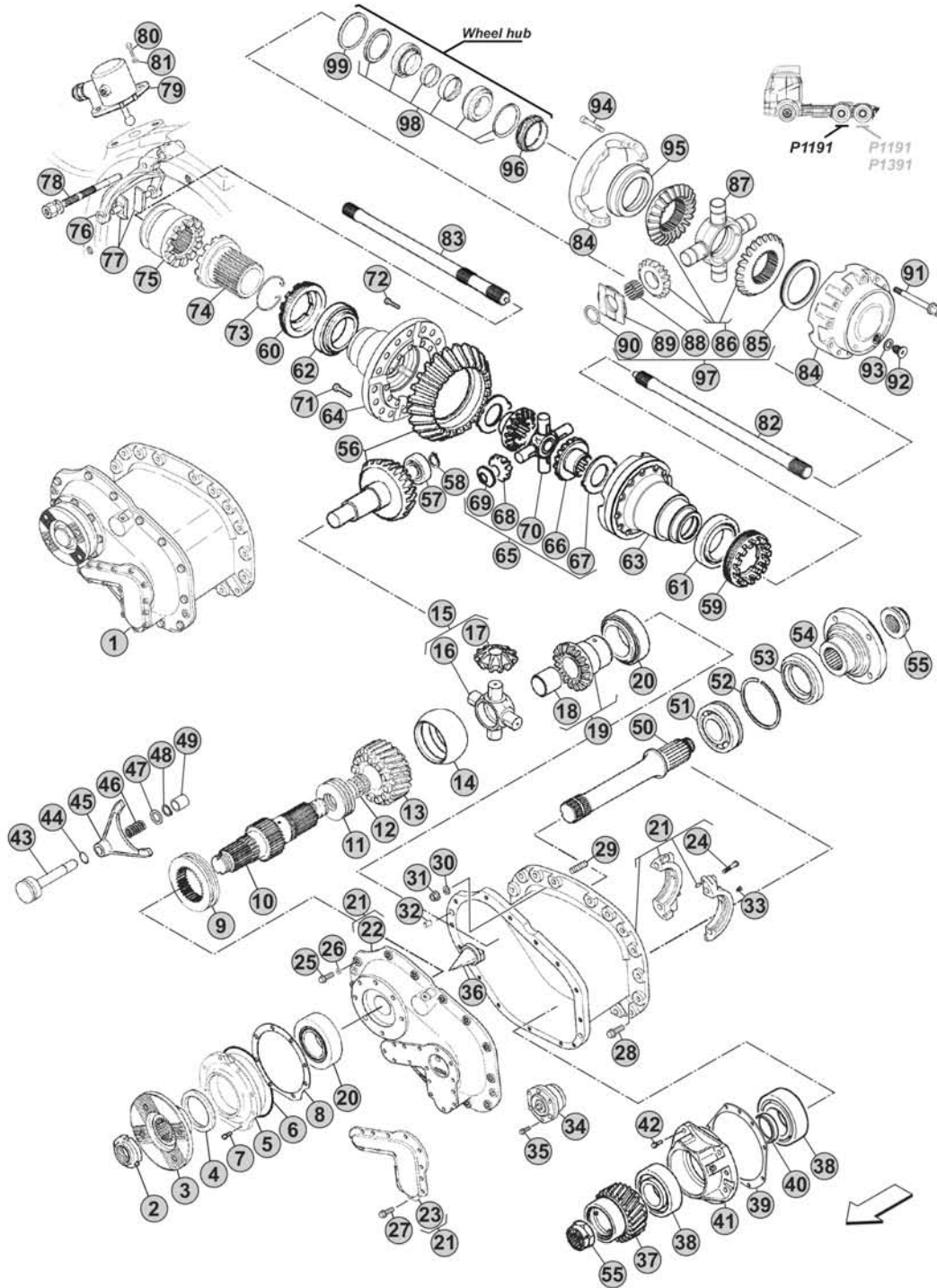
Date 12/2015 **Notes**

VERSIONS:

- INTERMEDIATE P1191

APPLICATIONS:

- PREMIUM



Notes

Our spare parts are not the originals but interchangeable with the originals ones. All original equipment manufacturers' numbers, pictures and models used in this catalogue are for reference only. Our products bear our trade-mark.

Fig.	CEI no.	RENAULT no.	Description	Q.ty	Notes	P1191				
50	170.265	50 10 534 583	Distribution drive shaft	1		●				
51	130.758	50 10 534 810	Bearing	1		●				
52		50 10 571 902	Seeger ring	1		●				
53		50 10 534 864	Seal ring	1		●				
54	197.248	50 10 534 807	Flange	1		●				
55	287.007	50 10 534 648	Nut	2		●				
56	194.993	50 10 534 566	Crown & Pinion 25x37 R.1,48	1	(1) 100 Km/h	●				
56	194.992	50 10 534 562	Crown & Pinion 24x37 R.1,54	1	(1) 96 Km/h	●				
56	194.991	50 10 534 558	Crown & Pinion 23x37 R.1,61	1	(1) 92 Km/h	●				
56	194.990	50 10 534 554	Crown & Pinion 22x37 R.1,68	1	(1) 88 Km/h	●				
56	194.989	50 10 534 550	Crown & Pinion 21x37 R.1,76	1	(1) 84 Km/h	●				
56	194.988	50 10 534 546	Crown & Pinion 20x37 R.1,85	1	(2) 80 Km/h	●				
56	194.987	50 10 534 542	Crown & Pinion 19x37 R.1,95	1	(2) 76 Km/h	●				
56	194.984	50 10 534 538	Crown & Pinion 17x35 R.2,06	1	(2) 72 Km/h	●				
56	194.986	50 10 534 534	Crown & Pinion 17x37 R.2,18	1	(3) 68 Km/h	●				
56	194.985	50 10 534 530	Crown & Pinion 16x37 R.2,31	1	(3) 64 Km/h	●				
56	194.998	50 10 534 526	Crown & Pinion 17x41 R.2,41	1	(3) 61 Km/h	●				
56	194.997	50 10 534 522	Crown & Pinion 16x41 R.2,56	1	(3) 58 km/h	●				
56	194.994	50 10 534 518	Crown & Pinion 14x38 R.2,71	1	(4) 55 Km/h	●				
56	194.996	50 10 534 514	Crown & Pinion 14x41 R.2,93	1	(4) 51 Km/h	●				
56	194.995	50 10 534 510	Crown & Pinion 13x41 R.3,15	1	(4) 47 Km/h	●				
57	130.759	50 10 534 823	Bearing	1		●				
58	111.268	74 00 914 465	Seeger ring	1		●				
59	287.010	50 10 534 384	Grooved nut	1		●				
60	287.008	50 10 534 307	Grooved nut	1		●				
61	130.822	50 10 241 096	Bearing	1	Premium brand	●				
61	530.822	50 10 241 096	Bearing	1	Aftermarket	●				
62	130.762	74 21 265 585	Bearing	1		●				
63	175.346	50 10 534 830	Differential half housing	1	(1)	●				
63	175.333	50 10 534 829	Differential half housing	1	(2-3-4)	●				
64	175.343	50 10 534 834	Differential half housing	1	(1)	●				
64	175.344	50 10 534 833	Differential half housing	1	(2)	●				
64	175.332	50 10 534 832	Differential half housing	1	(3)	●				
64	175.345	50 10 534 831	Differential half housing	1	(4)	●				
65	298.079	50 01 865 510	Differential kit	1		●				
66	122.174	50 10 443 927	Differential side gear	2		●				
67	269.018	50 00 671 226	Side gear thrust washer	2		●				
68	182.112	50 10 534 637	Differential side pinion	4		●				
69	269.017	50 10 534 114	Side pinion thrust washer	4		●				
70	133.158	50 00 675 792	Differential Spider	1		●				
71	287.011	50 10 534 400	Screw	16	(1)	●				
71	187.727	50 00 671 332	Screw	16	(2-3-4)	●				
72	287.009	50 10 534 364	Screw	12		●				

P1191

Date

12/2015

Notes

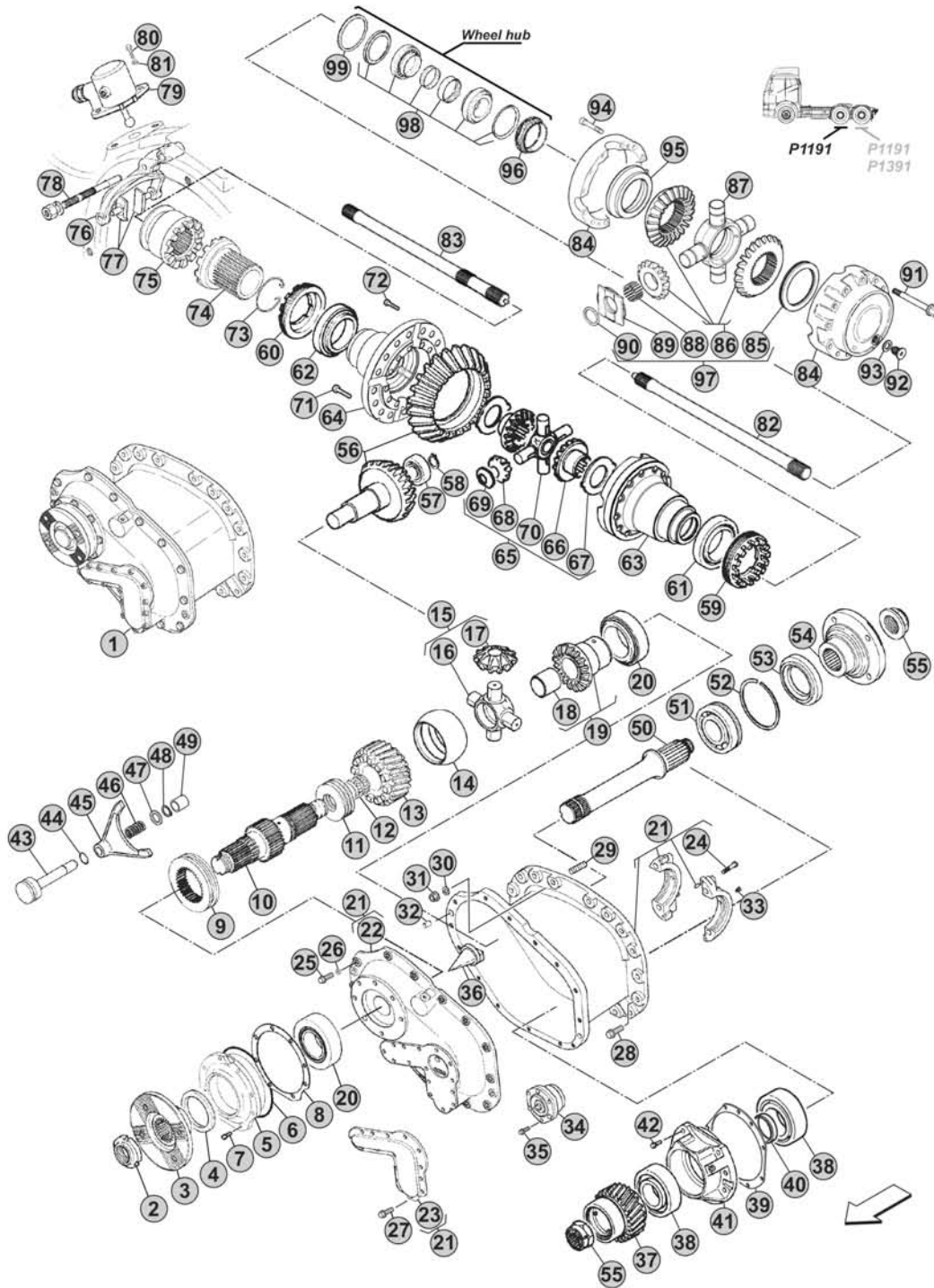
- (1) To be coupled together
 (2) To be coupled together
 (3) To be coupled together
 (4) To be coupled together

VERSIONS:

- INTERMEDIATE P1191

APPLICATIONS:

- PREMIUM



Our spare parts are not the originals but interchangeable with the originals ones. All original equipment manufacturers' numbers, pictures and models used in this catalogue are for reference only. Our products bear our trade-mark.

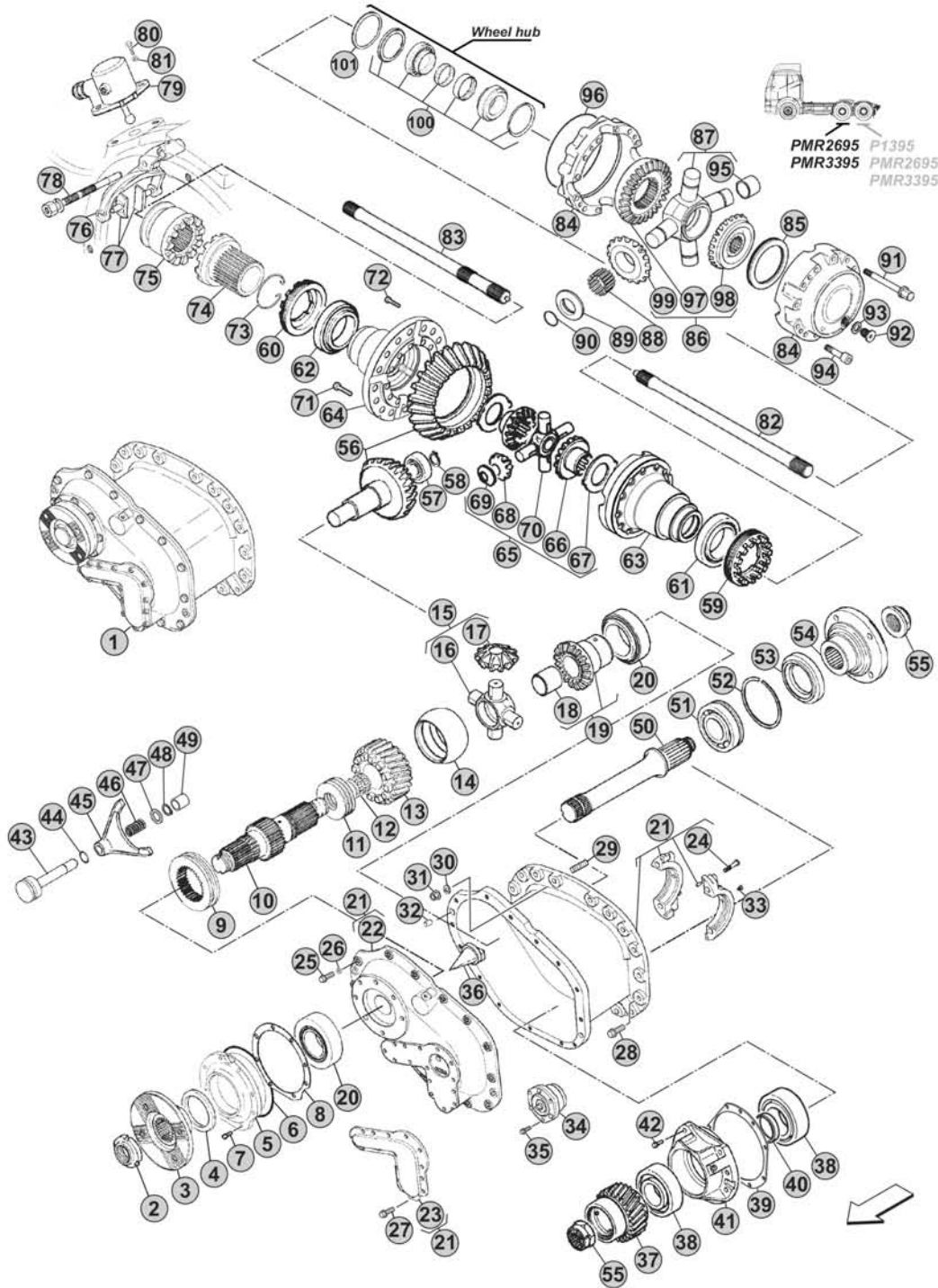
Notes

VERSIONS:

- INTERMEDIATE
PMR2695
- INTERMEDIATE
PMR3395

APPLICATIONS:

- KERAX



Notes

Our spare parts are not the originals but interchangeable with the originals ones. All original equipment manufacturers' numbers, pictures and models used in this catalogue are for reference only. Our products bear our trade-mark.

Fig.	CEI no.	RENAULT no.	Description	Q.ty	Notes	PMR2695	PMR3395			
1		74 20 724 954	Differential Int.Assy 25x37 R.1,48	1	100 Km/h	●	●			
1		74 20 724 955	Differential Int.Assy 24x37 R.1,54	1	96 Km/h	●	●			
1		74 20 724 956	Differential Int.Assy 23x37 R.1,61	1	92 Km/h	●	●			
1		74 20 724 957	Differential Int.Assy 22x37 R.1,68	1	88 Km/h	●	●			
1		74 20 724 958	Differential Int.Assy 21x37 R.1,76	1	84 Km/h	●	●			
1		74 20 724 959	Differential Int.Assy 20x37 R.1,85	1	80 Km/h	●	●			
1		74 20 724 960	Differential Int.Assy 19x37 R.1,95	1	76 Km/h	●	●			
1		74 20 724 961	Differential Int.Assy 17x35 R.2,06	1	72 Km/h	●	●			
1		74 20 724 962	Differential Int.Assy 17x37 R.2,18	1	68 Km/h	●	●			
1		74 20 724 963	Differential Int.Assy 16x37 R.2,31	1	64 Km/h	●	●			
1		74 20 724 964	Differential Int.Assy 17x41 R.2,41	1	61 Km/h	●	●			
1		74 20 724 965	Differential Int.Assy 16x41 R.2,56	1	58 km/h	●	●			
1		74 20 724 966	Differential Int.Assy 14x38 R.2,71	1	55 Km/h	●	●			
1		74 20 724 967	Differential Int.Assy 14x41 R.2,93	1	51 Km/h	●	●			
1		74 20 724 968	Differential Int.Assy 13x41 R.3,15	1	47 Km/h	●	●			
2	187.724	50 10 241 239	Nut	1		●	●			
3	197.149	50 10 534 791	Flange	1		●	●			
4	139.758	50 10 534 863	Oil Seal	1		●	●			
5		50 10 534 678	Bearings cage	1		●	●			
6		50 03 065 205	O-Ring	1		●	●			
7		77 03 002 692	Screw	8		●	●			
8		50 10 443 944	Thrust washer mm. 0,10	0		●	●			
8		50 10 443 943	Thrust washer mm. 0,15	0		●	●			
8		50 10 443 942	Thrust washer mm. 0,20	0		●	●			
8		50 10 443 941	Thrust washer mm. 0,30	0		●	●			
8		50 10 443 940	Thrust washer mm. 0,40	0		●	●			
8		50 10 443 939	Thrust washer mm. 0,50	0		●	●			
8		50 10 443 938	Thrust washer mm. 0,60	0		●	●			
8		50 10 443 937	Thrust washer mm. 1,00	0		●	●			
9	154.402	50 10 319 821	Block sleeve	1		●	●			
10	105.213	50 10 534 575	Distribution shaft	1		●	●			
11	269.099	50 10 534 881	Spacer	3		●	●			
12	130.757	50 10 534 809	Needle Cage	1		●	●			
13	145.949	50 10 534 684	Distribution gear Z 43	1		●	●			
14	175.330	50 10 534 686	Differential housing	1		●	●			
15	298.509	74 20 946 039	Differential kit	1		●	●			
16	133.169	50 10 534 687	Differential Spider	1		●	●			
17	182.113	50 10 534 688	Differential side pinion	1		●	●			
18	117.392	50 05 010 002	Bush	1		●	●			
19	122.157	50 10 534 840	Differential side gear	1		●	●			
20	130.744	74 21 260 660	Bearing	2		●	●			
21		74 20 807 627	Differential support housing	1		●	●			
22		74 20 831 558	Front cover	1		●	●			

PMR2695 – PMR3395

Date

12/2015

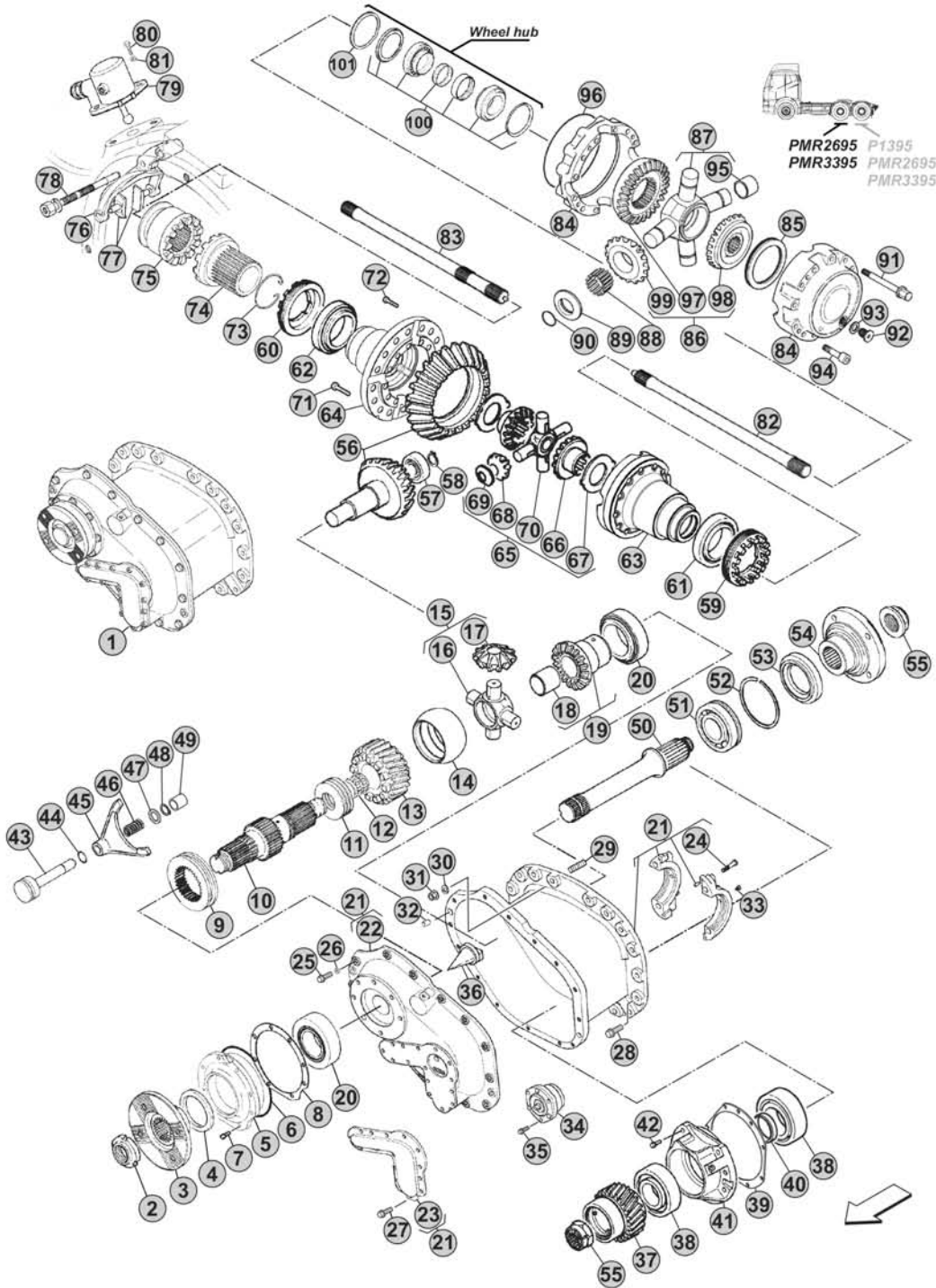
Notes

VERSIONS:

- INTERMEDIATE
PMR2695
- INTERMEDIATE
PMR3395

APPLICATIONS:

- KERAX



Notes

Our spare parts are not the originals but interchangeable with the originals ones. All original equipment manufacturers' numbers, pictures and models used in this catalogue are for reference only. Our products bear our trade-mark.

Fig.	CEI no.	RENAULT no.	Description	Q.ty	Notes	PMR2695	PMR3395			
23		74 20 831 563	Cover	1		●	●			
24		50 10 534 647	Screw	4		●	●			
25		50 03 101 222	Screw	14		●	●			
26		50 03 057 048	Washer	14		●	●			
27		50 03 101 728	Screw	13		●	●			
28		50 10 534 653	Screw	11		●	●			
29		50 10 610 002	Stud	7		●	●			
30		00 00 141 014	Washer	7		●	●			
31		50 03 032 265	Nut	7		●	●			
32		00 23 387 040	Pin	2		●	●			
33	187.730	50 00 695 135	Screw	2		●	●			
34		50 10 443 936	Oil Pump	1		●	●			
35		77 03 002 949	Screw	3		●	●			
36		50 10 534 962	Oil Deflector	1		●	●			
37	146.643	50 10 534 685	Distribution gear	1		●	●			
38	130.745	50 00 682 795	Bearing	2		●	●			
39		50 10 534 932	Thrust washer mm. 0,25	0		●	●			
39		50 10 534 933	Thrust washer mm. 0,30	0		●	●			
39		50 10 534 934	Thrust washer mm. 0,40	0		●	●			
39		50 10 534 935	Thrust washer mm. 0,50	0		●	●			
39		50 10 534 936	Thrust washer mm. 0,60	0		●	●			
39		50 10 534 937	Thrust washer mm. 0,70	0		●	●			
39		50 10 534 938	Thrust washer mm. 1,00	0		●	●			
40	269.334	50 00 664 148	Spacer mm. 15,10	0		●	●			
40	269.335	50 00 664 149	Spacer mm. 15,60	0		●	●			
40		50 00 664 150	Spacer mm. 16,00	0		●	●			
41		50 10 534 930	Bearings cage	1		●	●			
42		50 03 009 177	Screw	9		●	●			
43		50 10 534 890	Gear shift rail	1		●	●			
44		50 03 065 085	O-Ring	1		●	●			
45	141.212	50 10 319 824	Fork	1		●	●			
46		00 00 190 092	Spring	1		●	●			
47		50 10 534 902	Spacer	1		●	●			
48		74 00 914 454	Seeger ring	1		●	●			
49		50 10 534 893	Spacer L. 41,70 mm.	0		●	●			
49		50 10 534 894	Spacer L. 42,20 mm.	0		●	●			
49		50 10 534 895	Spacer L. 42,70 mm.	0		●	●			
49		50 10 534 896	Spacer L. 43,20 mm.	0		●	●			
49		50 10 534 897	Spacer L. 43,70 mm.	0		●	●			
49		50 10 534 898	Spacer L. 44,20 mm.	0		●	●			
49		50 10 534 899	Spacer L. 44,70 mm.	0		●	●			
49		50 10 534 900	Spacer L. 45,20 mm.	0		●	●			
49		50 10 534 901	Spacer L. 45,70 mm.	0		●	●			

PMR2695 - PMR3395

Date

Notes

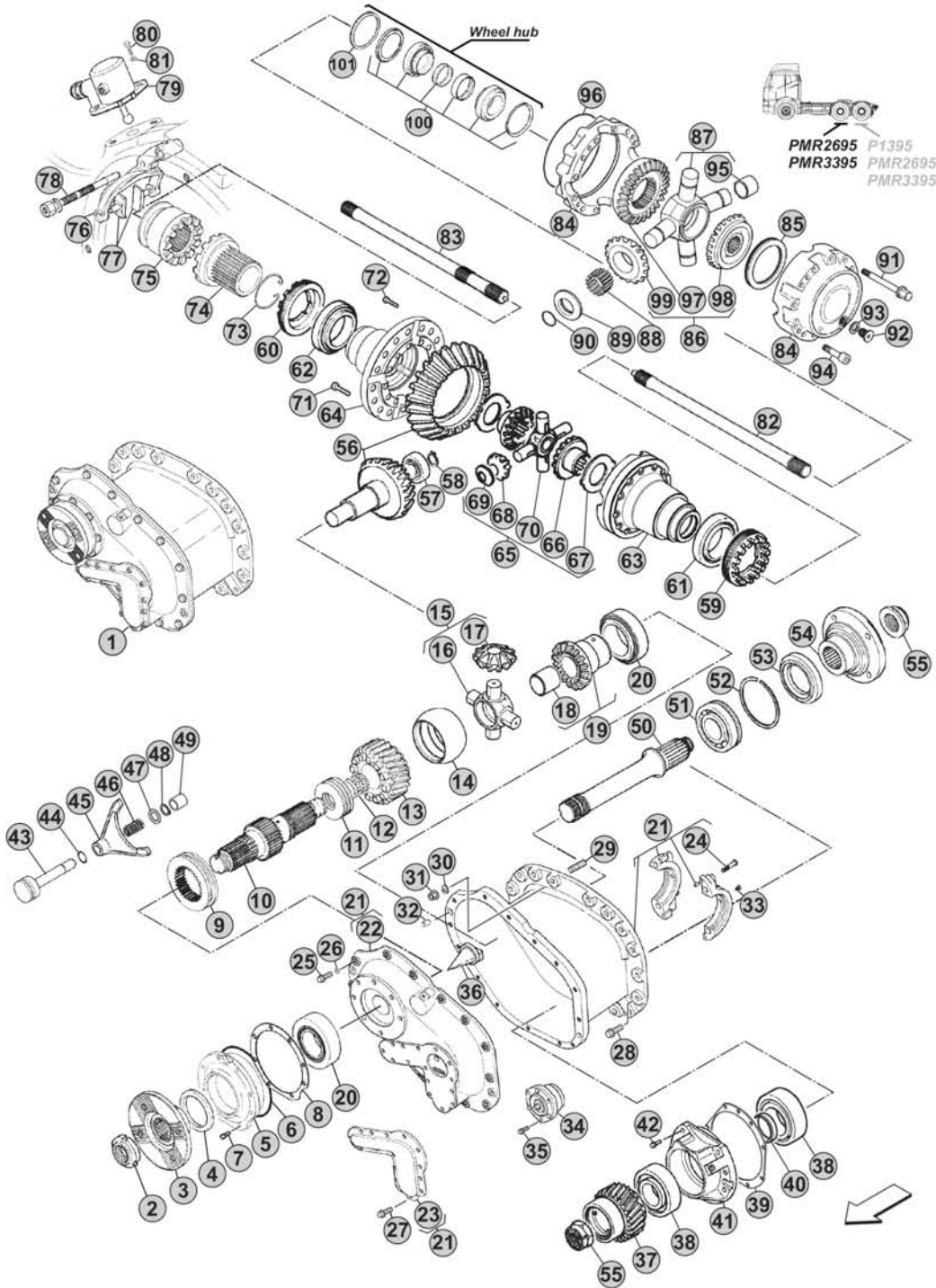
12/2015

VERSIONS:

- INTERMEDIATE
PMR2695
- INTERMEDIATE
PMR3395

APPLICATIONS:

- KERAX



Notes

Our spare parts are not the originals but interchangeable with the originals ones. All original equipment manufacturers' numbers, pictures and models used in this catalogue are for reference only. Our products bear our trade-mark.

Fig.	CEI no.	RENAULT no.	Description	Q.ty	Notes	PMR2695	PMR3395			
50	170.265	50 10 534 583	Distribution drive shaft	1		●	●			
51	130.758	50 10 534 810	Bearing	1		●	●			
52		50 10 571 902	Seeger ring	1		●	●			
53		50 10 534 864	Seal ring	1		●	●			
54	197.248	50 10 534 807	Flange	1		●	●			
55	287.007	50 10 534 648	Nut	2		●	●			
56	194.993	50 10 534 566	Crown & Pinion 25x37 R.1,48	1	(1) 100 Km/h	●	●			
56	194.992	50 10 534 562	Crown & Pinion 24x37 R.1,54	1	(1) 96 Km/h	●	●			
56	194.991	50 10 534 558	Crown & Pinion 23x37 R.1,61	1	(1) 92 Km/h	●	●			
56	194.990	50 10 534 554	Crown & Pinion 22x37 R.1,68	1	(1) 88 Km/h	●	●			
56	194.989	50 10 534 550	Crown & Pinion 21x37 R.1,76	1	(1) 84 Km/h	●	●			
56	194.988	50 10 534 546	Crown & Pinion 20x37 R.1,85	1	(2) 80 Km/h	●	●			
56	194.987	50 10 534 542	Crown & Pinion 19x37 R.1,95	1	(2) 76 Km/h	●	●			
56	194.984	50 10 534 538	Crown & Pinion 17x35 R.2,06	1	(2) 72 Km/h	●	●			
56	194.986	50 10 534 534	Crown & Pinion 17x37 R.2,18	1	(3) 68 Km/h	●	●			
56	194.985	50 10 534 530	Crown & Pinion 16x37 R.2,31	1	(3) 64 Km/h	●	●			
56	194.998	50 10 534 526	Crown & Pinion 17x41 R.2,41	1	(3) 61 Km/h	●	●			
56	194.997	50 10 534 522	Crown & Pinion 16x41 R.2,56	1	(3) 58 km/h	●	●			
56	194.994	50 10 534 518	Crown & Pinion 14x38 R.2,71	1	(4) 55 Km/h	●	●			
56	194.996	50 10 534 514	Crown & Pinion 14x41 R.2,93	1	(4) 51 Km/h	●	●			
56	194.995	50 10 534 510	Crown & Pinion 13x41 R.3,15	1	(4) 47 Km/h	●	●			
57	130.759	50 10 534 823	Bearing	1		●	●			
58	111.268	74 00 914 465	Seeger ring	1		●	●			
59	287.010	50 10 534 384	Grooved nut	1		●	●			
60	287.008	50 10 534 307	Grooved nut	1		●	●			
61	130.822	50 10 241 096	Bearing	1	Premium brand	●	●			
61	530.822	50 10 241 096	Bearing	1	Aftermarket	●	●			
62	130.762	74 21 265 585	Bearing	1		●	●			
63	175.346	50 10 534 830	Differential half housing	1	(1)	●	●			
63	175.333	50 10 534 829	Differential half housing	1	(2-3-4)	●	●			
64	175.343	50 10 534 834	Differential half housing	1	(1)	●	●			
64	175.344	50 10 534 833	Differential half housing	1	(2)	●	●			
64	175.332	50 10 534 832	Differential half housing	1	(3)	●	●			
64	175.345	50 10 534 831	Differential half housing	1	(4)	●	●			
65	298.079	50 01 865 510	Differential kit	1		●	●			
66	122.174	50 10 443 927	Differential side gear	2		●	●			
67	269.018	50 00 671 226	Side gear thrust washer	2		●	●			
68	182.112	50 10 534 637	Differential side pinion	4		●	●			
69	269.017	50 10 534 114	Side pinion thrust washer	4		●	●			
70	133.158	50 00 675 792	Differential Spider	1		●	●			
71	287.011	50 10 534 400	Screw	16	(1)	●	●			
71	187.727	50 00 671 332	Screw	16	(2-3-4)	●	●			
72	287.009	50 10 534 364	Screw	12		●	●			

PMR2695 - PMR3395

Date

12/2015

Notes

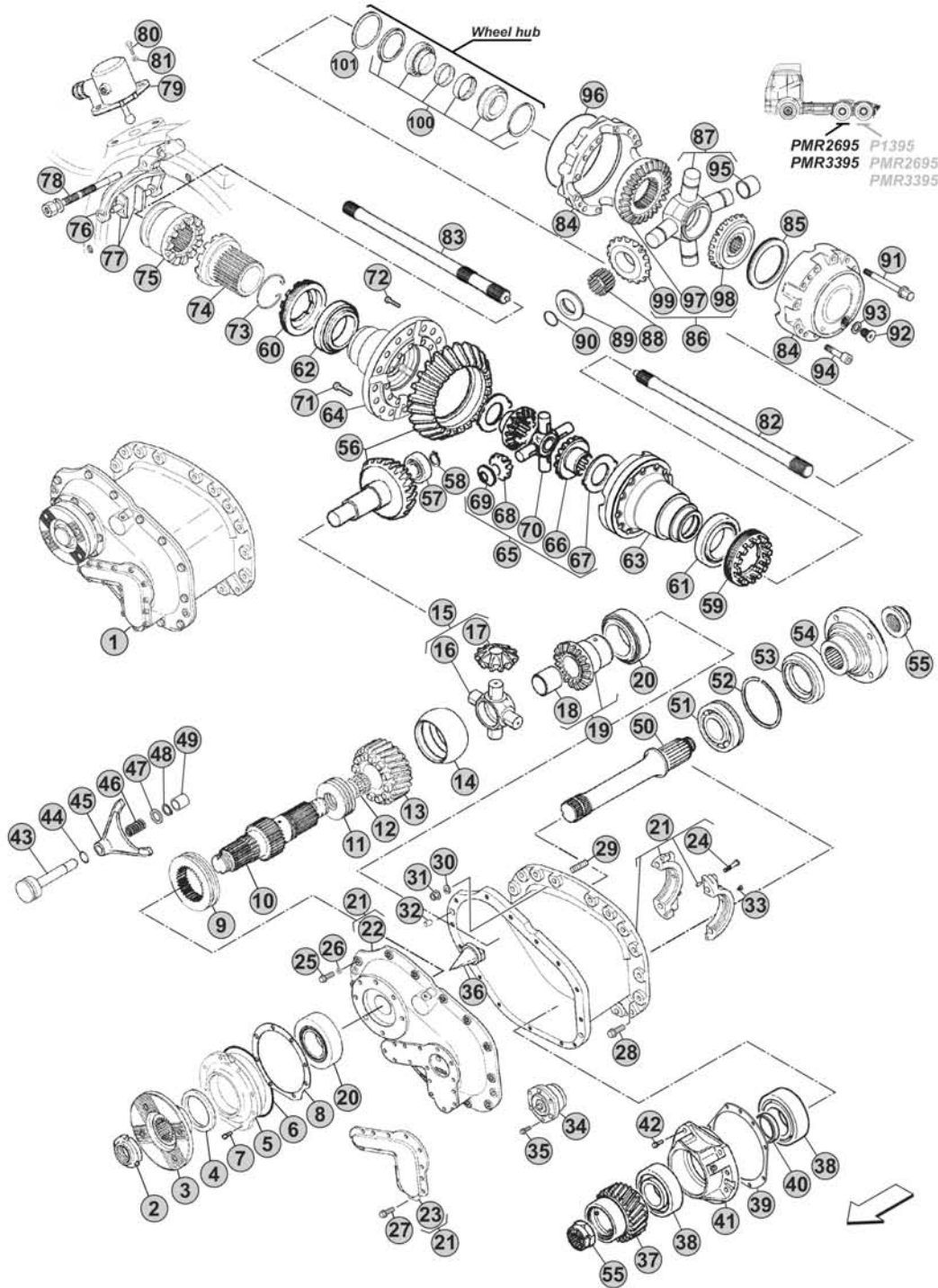
- (1) To be coupled together
 (2) To be coupled together
 (3) To be coupled together
 (4) To be coupled together

VERSIONS:

- INTERMEDIATE
PMR2695
- INTERMEDIATE
PMR3395

APPLICATIONS:

- KERAX



Notes

Our spare parts are not the originals but interchangeable with the originals ones. All original equipment manufacturers' numbers, pictures and models used in this catalogue are for reference only. Our products bear our trade-mark.

Fig.	CEI no.	RENAULT no.	Description	Q.ty	Notes	PMR3396				
1		74 20 724 957	Differential Int.Assy 22x37 R.1,68	1	100 Km/h	●				
1		74 20 724 959	Differential Int.Assy 20x37 R.1,85	1	91 Km/h	●				
1		74 20 724 961	Differential Int.Assy 17x35 R.2,06	1	82 Km/h	●				
2	187.724	50 10 241 239	Nut	1		●				
3	197.149	50 10 534 791	Flange	1		●				
4	139.758	50 10 534 863	Oil Seal	1		●				
5		50 10 534 678	Bearings cage	1		●				
6		50 03 065 205	O-Ring	1		●				
7		77 03 002 692	Screw	8		●				
8		50 10 443 944	Thrust washer mm. 0,10	0		●				
8		50 10 443 943	Thrust washer mm. 0,15	0		●				
8		50 10 443 942	Thrust washer mm. 0,20	0		●				
8		50 10 443 941	Thrust washer mm. 0,30	0		●				
8		50 10 443 940	Thrust washer mm. 0,40	0		●				
8		50 10 443 939	Thrust washer mm. 0,50	0		●				
8		50 10 443 938	Thrust washer mm. 0,60	0		●				
8		50 10 443 937	Thrust washer mm. 1,00	0		●				
9	154.402	50 10 319 821	Block sleeve	1		●				
10	105.213	50 10 534 575	Distribution shaft	1		●				
11	269.099	50 10 534 881	Spacer	3		●				
12	130.757	50 10 534 809	Needle Cage	1		●				
13	145.949	50 10 534 684	Distribution gear Z 43	1		●				
14	175.330	50 10 534 686	Differential housing	1		●				
15	298.509	74 20 946 039	Differential kit	1		●				
16	133.169	50 10 534 687	Differential Spider	1		●				
17	182.113	50 10 534 688	Differential side pinion	1		●				
18	117.392	50 05 010 002	Bush	1		●				
19	122.157	50 10 534 840	Differential side gear	1		●				
20	130.744	74 21 260 660	Bearing	2		●				
21		74 20 807 627	Differential support housing	1		●				
22		74 20 831 558	Front cover	1		●				
23		74 20 831 563	Cover	1		●				
24		50 10 534 647	Screw	4		●				
25		50 03 101 222	Screw	14		●				
26		50 03 057 048	Washer	14		●				
27		50 03 101 728	Screw	13		●				
28		50 10 534 653	Screw	11		●				
29		50 10 610 002	Stud	7		●				
30		00 00 141 014	Washer	7		●				
31		50 03 032 265	Nut	7		●				
32		00 23 387 040	Pin	2		●				
33	187.730	50 00 695 135	Screw	2		●				
34		50 10 443 936	Oil Pump	1		●				

PMR3396

Date

12/2015

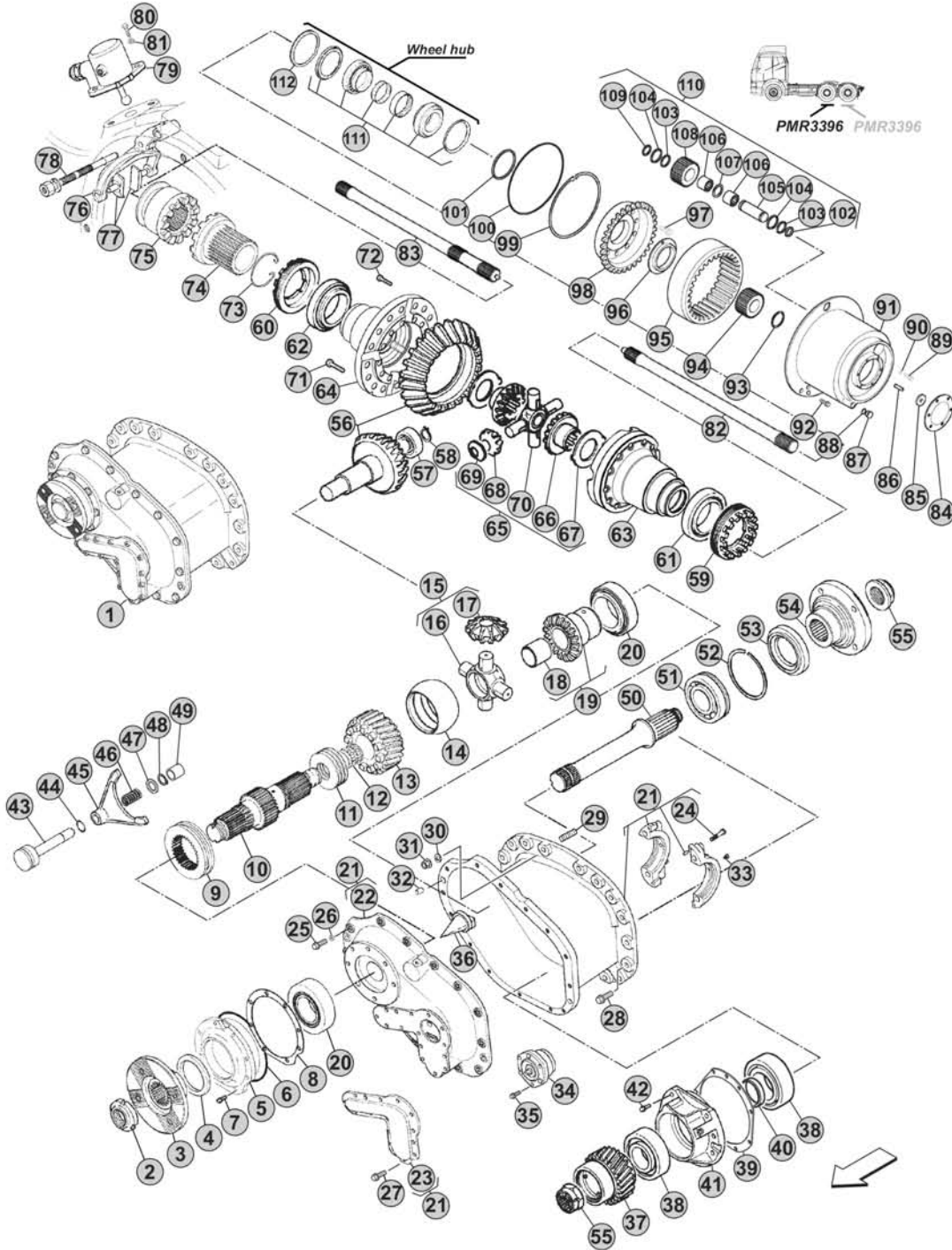
Notes

VERSIONS:

- INTERMEDIATE
PMR3396

APPLICATIONS:

- KERAX



Our spare parts are not the originals but interchangeable with the originals ones. All original equipment manufacturers' numbers, pictures and models used in this catalogue are for reference only. Our products bear our trade-mark.

Notes



Our spare parts are not the originals but interchangeable with the originals ones. All original equipment manufacturers' numbers, pictures and models used in this catalogue are for reference only. Our products bear our trade-mark.

Fig.	CEI no.	RENAULT no.	Description	Q.ty	Notes	PMR3396				
35		77 03 002 949	Screw	3		●				
36		50 10 534 962	Oil Deflector	1		●				
37	146.643	50 10 534 685	Distribution gear	1		●				
38	130.745	50 00 682 795	Bearing	2		●				
39		50 10 534 932	Thrust washer mm. 0,25	0		●				
39		50 10 534 933	Thrust washer mm. 0,30	0		●				
39		50 10 534 934	Thrust washer mm. 0,40	0		●				
39		50 10 534 935	Thrust washer mm. 0,50	0		●				
39		50 10 534 936	Thrust washer mm. 0,60	0		●				
39		50 10 534 937	Thrust washer mm. 0,70	0		●				
39		50 10 534 938	Thrust washer mm. 1,00	0		●				
40	269.334	50 00 664 148	Spacer mm. 15,10	0		●				
40	269.335	50 00 664 149	Spacer mm. 15,60	0		●				
40		50 00 664 150	Spacer mm. 16,00	0		●				
41		50 10 534 930	Bearings cage	1		●				
42		50 03 009 177	Screw	9		●				
43		50 10 534 890	Gear shift rail	1		●				
44		50 03 065 085	O-Ring	1		●				
45	141.212	50 10 319 824	Fork	1		●				
46		00 00 190 092	Spring	1		●				
47		50 10 534 902	Spacer	1		●				
48		74 00 914 454	Seeger ring	1		●				
49		50 10 534 893	Spacer L. 41,70 mm.	0		●				
49		50 10 534 894	Spacer L. 42,20 mm.	0		●				
49		50 10 534 895	Spacer L. 42,70 mm.	0		●				
49		50 10 534 896	Spacer L. 43,20 mm.	0		●				
49		50 10 534 897	Spacer L. 43,70 mm.	0		●				
49		50 10 534 898	Spacer L. 44,20 mm.	0		●				
49		50 10 534 899	Spacer L. 44,70 mm.	0		●				
49		50 10 534 900	Spacer L. 45,20 mm.	0		●				
49		50 10 534 901	Spacer L. 45,70 mm.	0		●				
50	170.265	50 10 534 583	Distribution drive shaft	1		●				
51	130.758	50 10 534 810	Bearing	1		●				
52		50 10 571 902	Seeger ring	1		●				
53		50 10 534 864	Seal ring	1		●				
54	197.248	50 10 534 807	Flange	1		●				
55	287.007	50 10 534 648	Nut	2		●				
56	194.990	50 10 534 554	Crown & Pinion 22x37 R.1,68	1	(1) 100 Km/h	●				
56	194.988	50 10 534 546	Crown & Pinion 20x37 R.1,85	1	(2) 91 Km/h	●				
56	194.984	50 10 534 538	Crown & Pinion 17x35 R.2,06	1	(2) 82 Km/h	●				
57	130.759	50 10 534 823	Bearing	1		●				
58	111.268	74 00 914 465	Seeger ring	1		●				
59	287.010	50 10 534 384	Grooved nut	1		●				

PMR3396

Date

12/2015

Notes

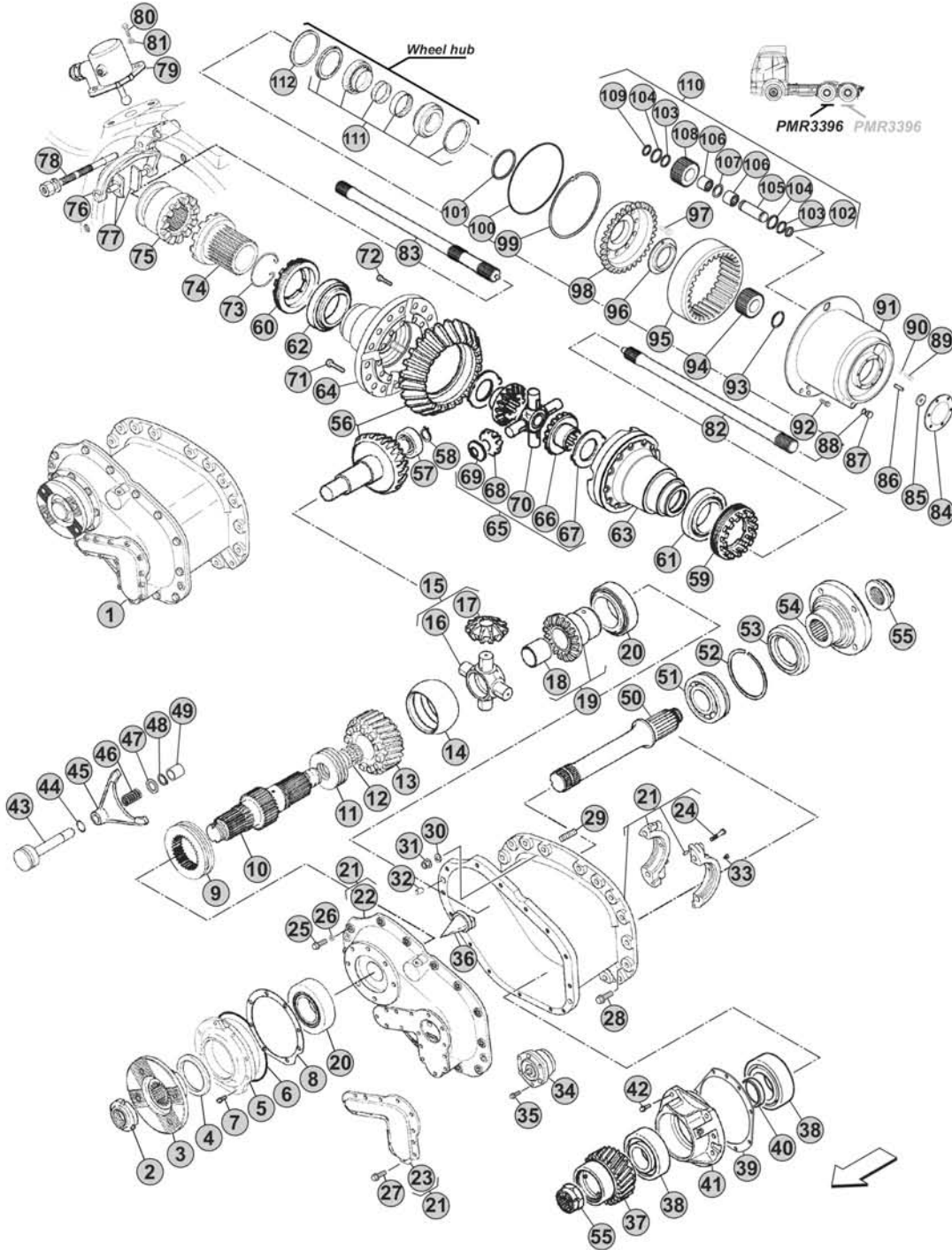
- (1) To be coupled together
 (2) To be coupled together

VERSIONS:

- INTERMEDIATE
PMR3396

APPLICATIONS:

- KERAX



Our spare parts are not the originals but interchangeable with the originals ones. All original equipment manufacturers' numbers, pictures and models used in this catalogue are for reference only. Our products bear our trade-mark.

Notes



Our spare parts are not the originals but interchangeable with the originals ones. All original equipment manufacturers' numbers, pictures and models used in this catalogue are for reference only. Our products bear our trade-mark.

Fig.	CEI no.	RENAULT no.	Description	Q.ty	Notes	PMR3396				
60	287.008	50 10 534 307	Grooved nut	1		●				
61	130.822	50 10 241 096	Bearing	1	Premium brand	●				
61	530.822	50 10 241 096	Bearing	1	Aftermarket	●				
62	130.762	74 21 265 585	Bearing	1		●				
63	175.346	50 10 534 830	Differential half housing	1	(1)	●				
63	175.333	50 10 534 829	Differential half housing	1	(2)	●				
64	175.343	50 10 534 834	Differential half housing	1	(1)	●				
64	175.344	50 10 534 833	Differential half housing	1	(2)	●				
65	298.079	50 01 865 510	Differential kit	1		●				
66	122.174	50 10 443 927	Differential side gear	2		●				
67	269.018	50 00 671 226	Side gear thrust washer	2		●				
68	182.112	50 10 534 637	Differential side pinion	4		●				
69	269.017	50 10 534 114	Side pinion thrust washer	4		●				
70	133.158	50 00 675 792	Differential Spider	1		●				
71	287.011	50 10 534 400	Screw	16	(1)	●				
71	187.727	50 00 671 332	Screw	16	(2)	●				
72	287.009	50 10 534 364	Screw	12		●				
73	111.408	50 00 671 227	Seeger ring	1		●				
74	154.401	50 00 671 457	Sleeve	1		●				
75	154.249	50 10 443 227	Block sleeve	1		●				
76		50 10 534 925	Fork	1		●				
77	141.285	50 10 611 038	Sliding pad	2		●				
78		50 10 534 891	Pin	1		●				
79		50 10 534 924	Differential lock control	1		●				
80		50 03 101 674	Screw	2		●				
81		50 03 058 081	Washer	2		●				
82	170.267	50 10 534 871	Drive shaft	1		●				
83	170.266	50 10 534 870	Drive shaft	1		●				
84		74 20 862 828	Cover	1		●				
85		74 20 862 940	Magnet	1		●				
86		74 20 862 853	Pin	1		●				
87		74 00 981 281	Plug	1		●				
88		74 00 957 187	Gasket	1		●				
89		74 00 994 445	Screw	3		●				
90	167.011	50 03 057 041	Washer	3		●				
91	175.284	74 03 191 854	Wheel hub support	1		●				
92		74 00 959 238	Screw	2		●				
93		74 20 862 842	Spacer mm. 1,00	0		●				
93		74 20 862 843	Spacer mm. 1,50	0		●				
93		74 20 862 844	Spacer mm. 2,00	0		●				
93		74 20 862 845	Spacer mm. 2,50	0		●				
93		74 20 862 846	Spacer mm. 3,00	0		●				
93		74 20 862 847	Spacer mm. 3,50	0		●				

PMR3396

Date

12/2015

Notes

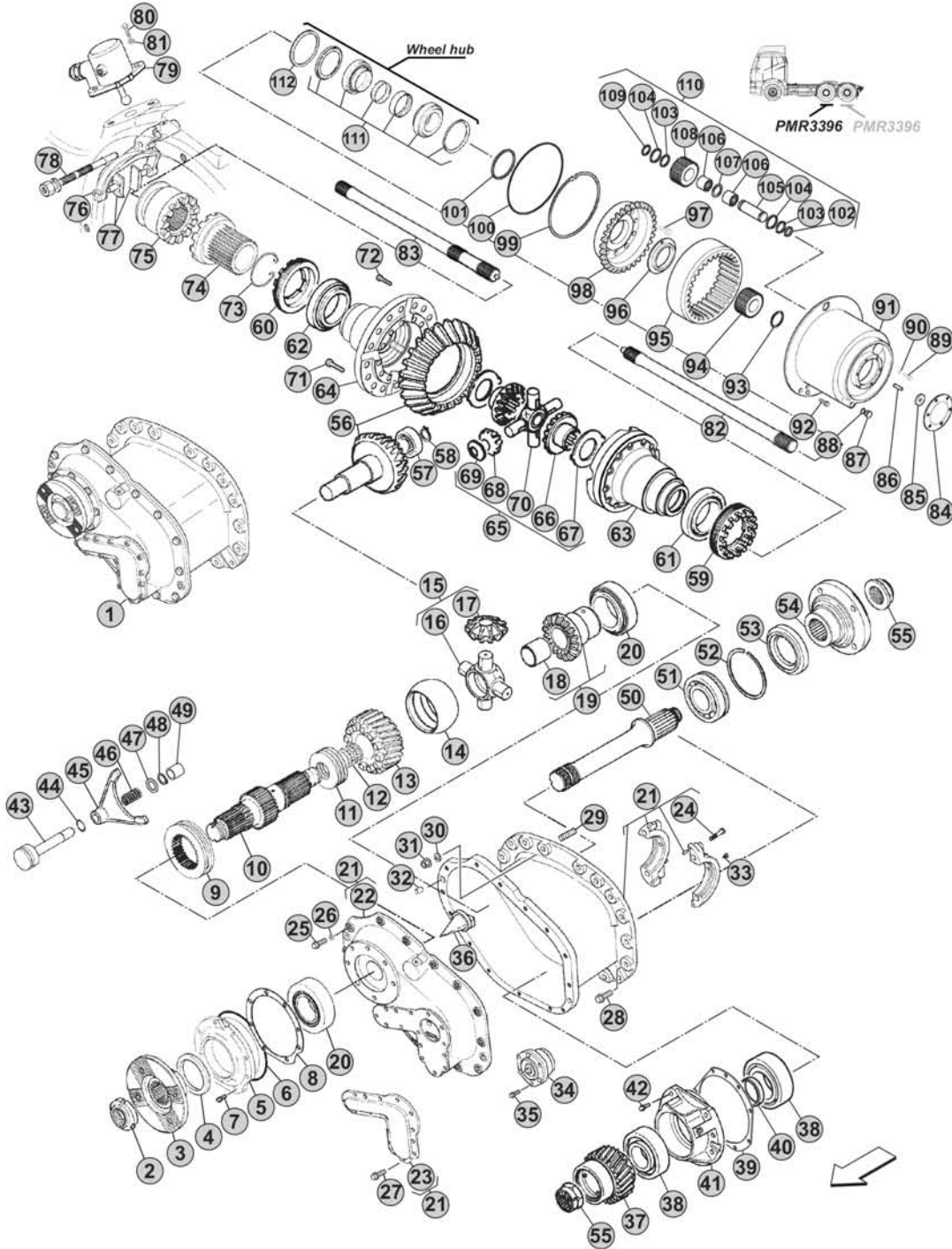
(1) To be coupled together
(2) To be coupled together

VERSIONS:

- INTERMEDIATE
PMR3396

APPLICATIONS:

- KERAX



Our spare parts are not the originals but interchangeable with the originals ones. All original equipment manufacturers' numbers, pictures and models used in this catalogue are for reference only. Our products bear our trade-mark.

Notes



Applications/Versions index

Model: **B Series**

<i>Gearboxes</i>	<i>Intermediate axles</i>	<i>Rear axles</i>
-	-	569, 669

Model: **C Series**

<i>Gearboxes</i>	<i>Intermediate axles</i>	<i>Rear axles</i>
B9, B18	P1032, P1532, P1341	P1332, P1532, P1341

Model: **G Series**

<i>Gearboxes</i>	<i>Intermediate axles</i>	<i>Rear axles</i>
B9, B18	P1032, P1532, P1341	P1332, P1532, P1341

Model: **R Series**

<i>Gearboxes</i>	<i>Intermediate axles</i>	<i>Rear axles</i>
B9, B18	P1032, P1532, P1341	P1332, P1532, P1341

Model: **MANAGER**

<i>Gearboxes</i>	<i>Intermediate axles</i>	<i>Rear axles</i>
B9, B18	-	P1332

Model: **MIDLINER**

<i>Gearboxes</i>	<i>Intermediate axles</i>	<i>Rear axles</i>
-	-	P1340, P1141A, P1541A, P1141B, P1341, P1541B, P1841, 669

Model: **MASCOTT**

<i>Gearboxes</i>	<i>Intermediate axles</i>	<i>Rear axles</i>
-	-	569, 669, M248, M273

Model: **MIDLUM**

<i>Gearboxes</i>	<i>Intermediate axles</i>	<i>Rear axles</i>
-	-	P1141A, P1541A, P1141B, P1341, P1541B, P1841, P1191, 669, P920, P1120, P1121, P1170, MS08125, MS11145, MS11150

Model: **PREMIUM**

<i>Gearboxes</i>	<i>Intermediate axles</i>	<i>Rear axles</i>
B9, B18	PMR2661, P1191	P1340, P1141A, P1541A, P1545A, P1141B, P1341, P1541B, P1841, P1342, P1345, P1361, PMR2661, P1191, P1391, P1395, P1370, MS13150, MS13170, MS17X

Model: **MAGNUM**

<i>Gearboxes</i>	<i>Intermediate axles</i>	<i>Rear axles</i>
B9, B18	-	P1541A, P1545A, P1341, P1541B, P1841, P1342, P1345, P1395, P1370, MS13170, MS17X

Model: **KERAX**

<i>Gearboxes</i>	<i>Intermediate axles</i>	<i>Rear axles</i>
B9	P1141A, P1141B, P1841B, P1845B, P1841C, P1845C, P1846A, PMR2661, PMR3361, PMR2695, PMR3395, PMR3396	P1141A, P1541A, P1545A, P1141B, P1341, P1541B, P1841, P1342, P1345, P1545B, P1845B, P1845C, P1846, P1361, PMR2661, PMR3361, P1395, PMR2695, PMR3395, PMR3396

REAR AXLES

Versions:

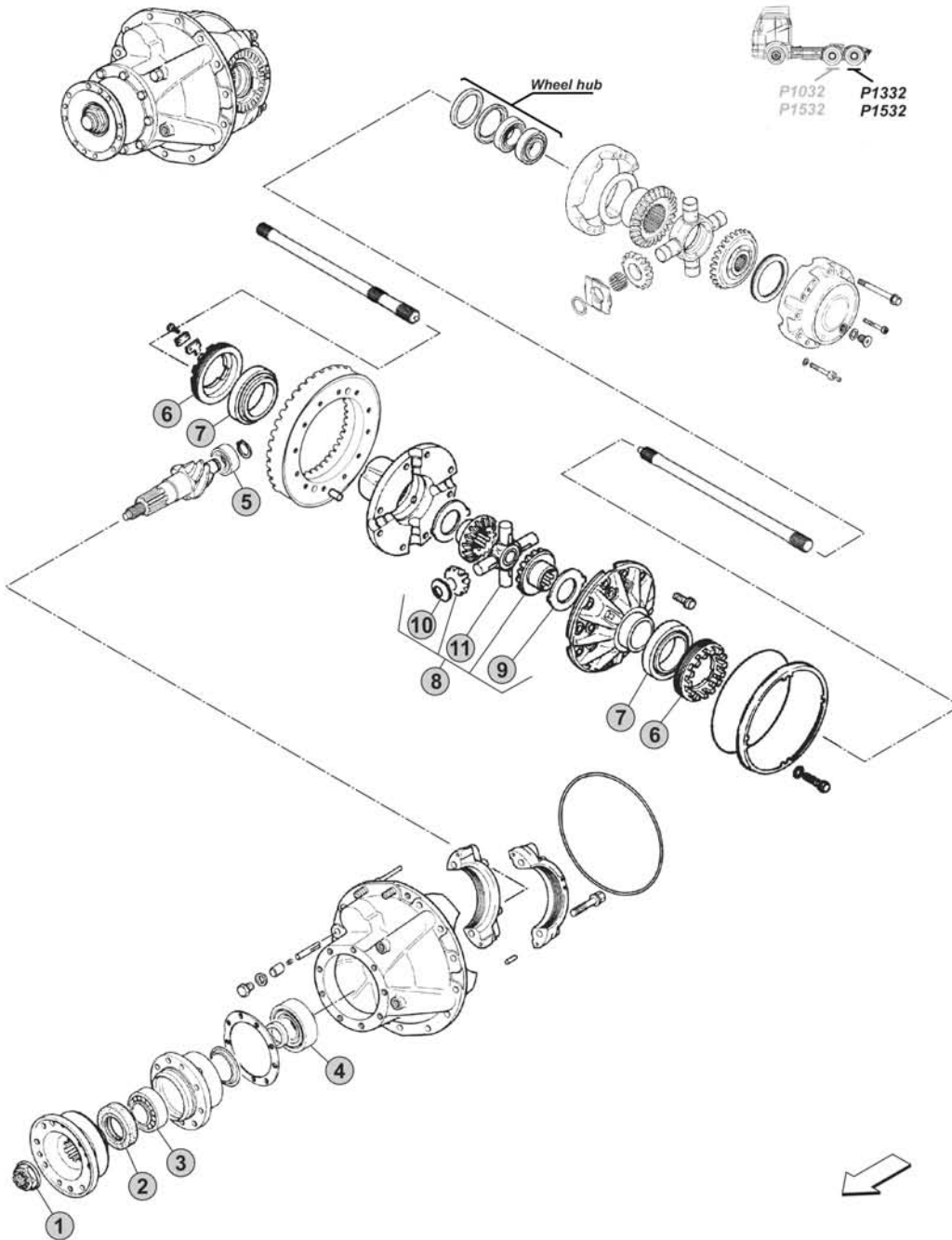
P1332 Pag. 122	P1845B Pag. 138	669 Pag. 178
P1532 Pag. 122	P1845C Pag. 138	P920 Pag. 184
P1340 Pag. 124	P1846 Pag. 144	P1120 Pag. 184
P1141A Pag. 124	P1361 Pag. 150	P1121 Pag. 184
P1541A Pag. 124	PMR2661 Pag. 150	P1170 Pag. 192
P1545A Pag. 124	PMR3361 Pag. 150	P1370 Pag. 192
P1141B Pag. 130	P1191 Pag. 158	M248 Pag. 198
P1341 Pag. 130	P1391 Pag. 158	M273 Pag. 200
P1541B Pag. 130	P1395 Pag. 164	MS08125 Pag. 202
P1841 Pag. 130	PMR2695 Pag. 164	MS11145 Pag. 208
P1342 Pag. 130	PMR3395 Pag. 164	MS11150 Pag. 214
P1345 Pag. 138	PMR3396 Pag. 170	MS13150 Pag. 218
P1545B Pag. 138		MS13170 Pag. 222
	569 Pag. 176	MS17X Pag. 226

VERSIONS:

- REAR P1332
- REAR P1532

APPLICATIONS:

- C Series
- G Series
- MANAGER (P1332)
- R Series



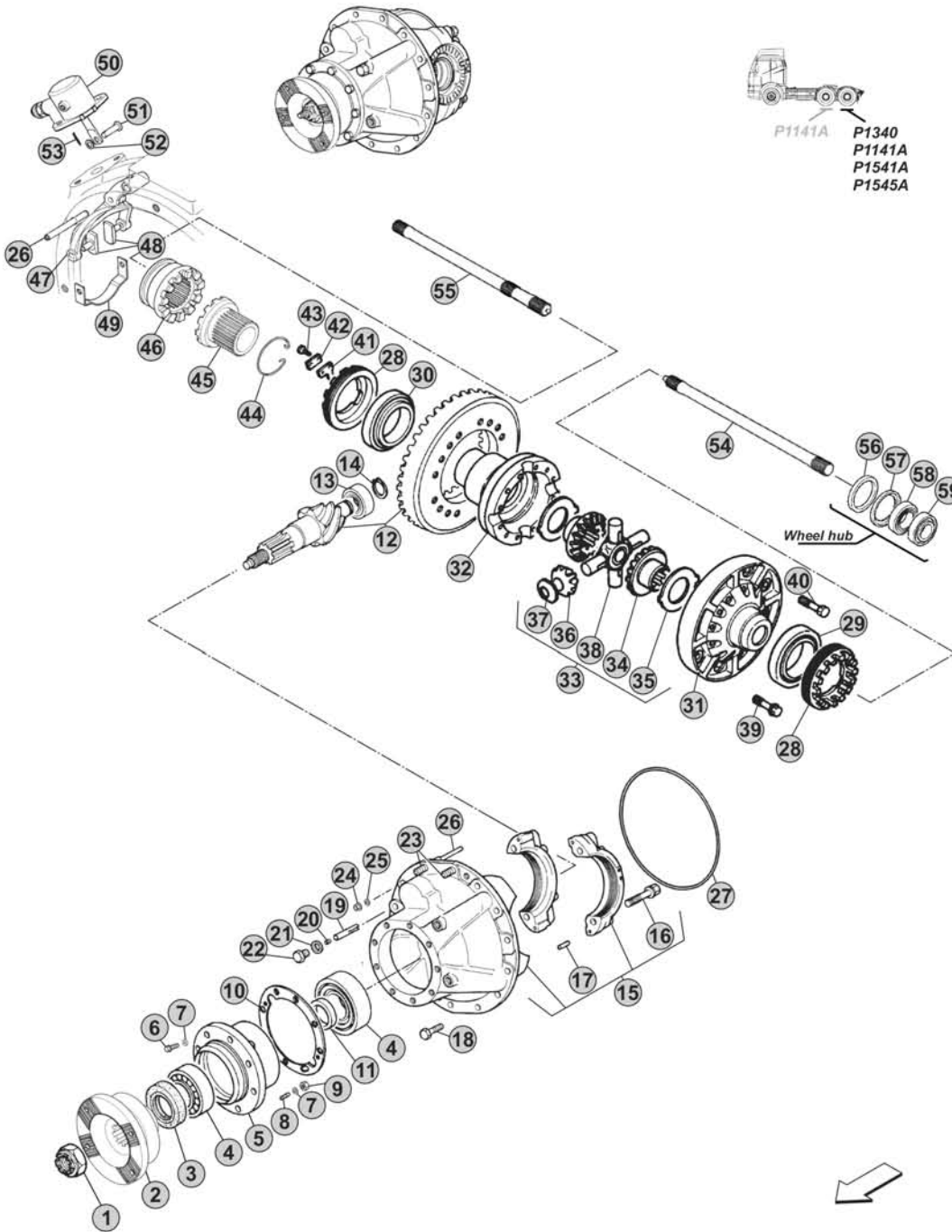
Notes

VERSIONS:

- REAR P1340
- REAR P1141A
- REAR P1541A
- REAR P1545A

APPLICATIONS:

- MIDLINER (P1141A - P1541A - P1340)
- MIDLUM (P1141A - P1541A)
- PREMIUM
- MAGNUM (P1541A - P1545A)
- KERAX (P1141A - P1541A - P1545A)



Notes

Our spare parts are not the originals but interchangeable with the originals ones. All original equipment manufacturers' numbers, pictures and models used in this catalogue are for reference only. Our products bear our trade-mark.

Fig.	CEI no.	RENAULT no.	Description	Q.ty	Notes	P1340	P1141A	P1541A	P1545A
1	287.004	50 00 664 043	Nut	1		●	●	●	●
2	197.146	50 10 241 998	Flange	1		●	●	●	●
3	139.758	50 10 534 863	Oil Seal	1		●	●	●	●
4	130.745	50 00 682 795	Bearing	2		●	●	●	●
5	175.317	50 00 675 546	Bearings cage	1	(4)	●	●	●	●
5	175.318	50 00 675 727	Bearings cage	1	(5)	●	●	●	●
6		50 03 101 240	Screw	7	(4)	●	●	●	●
6		50 03 101 240	Screw	9	(5)	●	●	●	●
7		00 21 247 008	Washer	9	(4-5)	●	●	●	●
8		50 03 027 694	Stud	2	(4)	●	●	●	●
9		50 03 032 243	Nut	2	(4)	●	●	●	●
10	269.336	50 10 241 468	Thrust washer mm. 0,25	0		●	●	●	●
10	269.337	50 00 675 547	Thrust washer mm. 0,30	0		●	●	●	●
10		50 00 675 548	Thrust washer mm. 0,40	0		●	●	●	●
10		50 00 675 549	Thrust washer mm. 0,50	0		●	●	●	●
10		50 00 675 550	Thrust washer mm. 0,60	0		●	●	●	●
10		50 00 675 551	Thrust washer mm. 0,70	0		●	●	●	●
10		50 00 675 552	Thrust washer mm. 1,00	0		●	●	●	●
11	269.334	50 00 664 148	Spacer mm. 15,10	0		●	●	●	●
11	269.335	50 00 664 149	Spacer mm. 15,60	0		●	●	●	●
11		50 00 664 150	Spacer mm. 16,00	0		●	●	●	●
12	194.667	56 00 584 421	Crown & Pinion 21x37 R.1,76	1	(1) 100 Km/h	●	●	●	●
12	194.915	56 00 594 920	Crown & Pinion 20x37 R.1,85	1	(1) 95 Km/h	●	●	●	●
12	194.908	56 00 594 919	Crown & Pinion 19x37 R.1,95	1	(1) 90 Km/h	●	●	●	●
12	194.905	56 00 594 918	Crown & Pinion 17x35 R.2,06	1	(1) 86 Km/h	●	●	●	●
12	194.907	56 00 594 917	Crown & Pinion 17x37 R.2,18	1	(1) 81 Km/h	●	●	●	●
12	194.906	56 00 594 916	Crown & Pinion 16x37 R.2,31	1	(2) 76 Km/h	●	●	●	●
12	194.911	56 00 594 915	Crown & Pinion 17x41 R.2,41	1	(2) 73 Km/h	●	●	●	●
12	194.840	56 00 594 914	Crown & Pinion 16x41 R.2,56	1	(2) 69 Km/h	●	●	●	●
12	194.917	56 00 594 913	Crown & Pinion 14x38 R.2,71	1	(3) 65 Km/h	●	●	●	●
12	194.909	56 00 594 912	Crown & Pinion 14x41 R.2,93	1	(3) 60 Km/h	●	●	●	●
12	194.916	56 00 594 911	Crown & Pinion 13x41 R.3,15	1	(3) 56 Km/h	●	●	●	●
12	194.910	56 00 594 910	Crown & Pinion 11x38 R.3,45	1	(3) 51 Km/h	●	●	●	●
12	194.975	56 00 594 909	Crown & Pinion 11x41 R.3,73	1	(3) 47 Km/h	●	●	●	●
12	194.974	56 00 594 908	Crown & Pinion 10x41 R.4,10	1	(3) 43 Km/h	●	●	●	●
12	194.972	56 00 594 907	Crown & Pinion 9x41 R.4,56	1	(3) 39 km/h	●	●	●	●
12	194.973	56 00 594 906	Crown & Pinion 8x41 R.5,13	1	(3) 34 km/h	●	●	●	●
13	130.739	50 00 785 250	Bearing	1		●	●	●	●
14	111.268	74 00 914 465	Seeger ring	1		●	●	●	●
15		50 00 675 542	Differential support housing	1		●	●	●	●
16		00 00 192 293	Screw	4		●	●	●	●
17		50 10 610 282	Pin	4		●	●	●	●
18		50 10 241 515	Screw	11		●	●	●	●

P1340 - P1141A
P1541A - P1545A

Date

12/2015

Notes

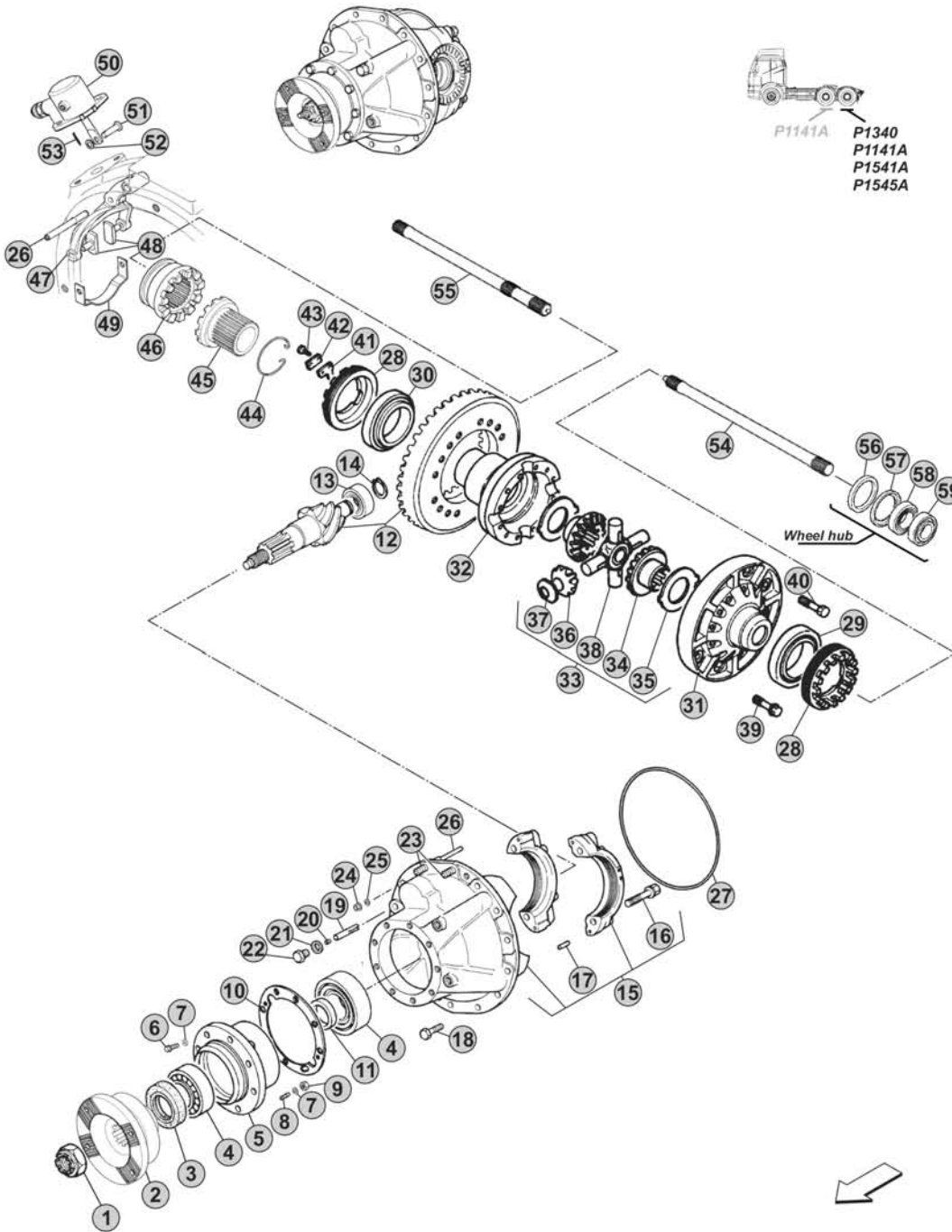
- (4) To be coupled together
(5) To be coupled together
(1) To be coupled together
(2) To be coupled together
(3) To be coupled together

VERSIONS:

- REAR P1340
- REAR P1141A
- REAR P1541A
- REAR P1545A

APPLICATIONS:

- MIDLINER (P1141A - P1541A - P1340)
- MIDLUM (P1141A - P1541A)
- PREMIUM
- MAGNUM (P1541A - P1545A)
- KERAX (P1141A - P1541A - P1545A)



Notes



Our spare parts are not the originals but interchangeable with the originals ones. All original equipment manufacturers' numbers, pictures and models used in this catalogue are for reference only. Our products bear our trade-mark.

Fig.	CEI no.	RENAULT no.	Description	Q.ty	Notes	P1340	P1141A	P1541A	P1545A
19		50 00 654 092	Oil Tube	1		●	●	●	●
20		00 00 188 148	Spring	1		●	●	●	●
21		00 21 323 045	Gasket	1		●	●	●	●
22		50 00 671 460	Plug	1		●	●	●	●
23		50 00 664 662	Stud	2	(6)	●	●	●	●
23		50 10 241 517	Stud	2	(7)	●	●	●	●
24		50 03 032 243	Nut	2		●	●	●	●
25		00 00 141 014	Washer	2		●	●	●	●
26		50 00 671 203	Pin	1	(6)	●	●	●	●
26		50 10 241 516	Pin	1	(7)	●	●	●	●
27	139.841	09 48 360 937	O-Ring	1		●	●	●	●
28	187.745	50 00 664 855	Grooved nut	2		●	●	●	●
29	130.740	50 10 241 094	Bearing	1		●	●	●	●
30	130.822	50 10 241 096	Bearing	1	Premium brand	●	●	●	●
30	530.822	50 10 241 096	Bearing	1	Aftermarket	●	●	●	●
31	175.295	50 10 534 112	Differential half housing	1	(1)	●	●	●	●
31	175.307	50 10 534 111	Differential half housing	1	(2)	●	●	●	●
31	175.305	50 10 534 110	Differential half housing	1	(3)	●	●	●	●
32	175.306	50 10 534 113	Differential half housing	1	(1-2-3)	●	●	●	●
33	298.037	50 00 794 101	Differential kit	1	Z16 - Z11	●	●	●	●
33	298.044	50 01 857 599	Differential kit	1	Z14 - Z9	●	●	●	●
34	122.129	682189130	Differential side gear	2	Z16	●	●	●	●
34	122.174	50 10 443 927	Differential side gear	2	Z14	●	●	●	●
35	269.018	50 00 671 226	Side gear thrust washer	2		●	●	●	●
36	182.094	50 10 534 646	Differential side pinion	4	Z11	●	●	●	●
36	182.112	50 10 534 637	Differential side pinion	4	Z9	●	●	●	●
37	269.017	50 10 534 114	Side pinion thrust washer	4		●	●	●	●
38	133.158	50 00 675 792	Differential Spider	1		●	●	●	●
39	187.727	50 00 671 332	Screw	16		●	●	●	●
40	187.746	50 00 682 326	Screw	12		●	●	●	●
41	188.306	50 00 654 526	Lock plate	2		●	●	●	●
42	188.307	00 00 184 616	Lock plate	2		●	●	●	●
43	187.818	77 03 002 020	Screw	4		●	●	●	●
44	111.408	50 00 671 227	Seeger ring	1		●	●	●	●
45	154.401	50 00 671 457	Sleeve	1		●	●	●	●
46	154.374	50 00 664 083	Block sleeve	1		●	●	●	●
46	154.249	50 10 443 227	Block sleeve	1		●	●	●	●
47		50 00 685 685	Fork	1	(6)	●	●	●	●
47		50 10 534 099	Fork	1	(7)	●	●	●	●
48	141.197	50 00 664 011	Sliding pad	2	(6)	●	●	●	●
48	141.285	50 10 611 038	Sliding pad	2	(7)	●	●	●	●
49		50 00 664 012	Support	1	(6)	●	●	●	●
50		50 10 319 858	Differential lock control	1	(6)	●	●	●	●

P1340 - P1141A
P1541A - P1545A

Date

12/2015

Notes

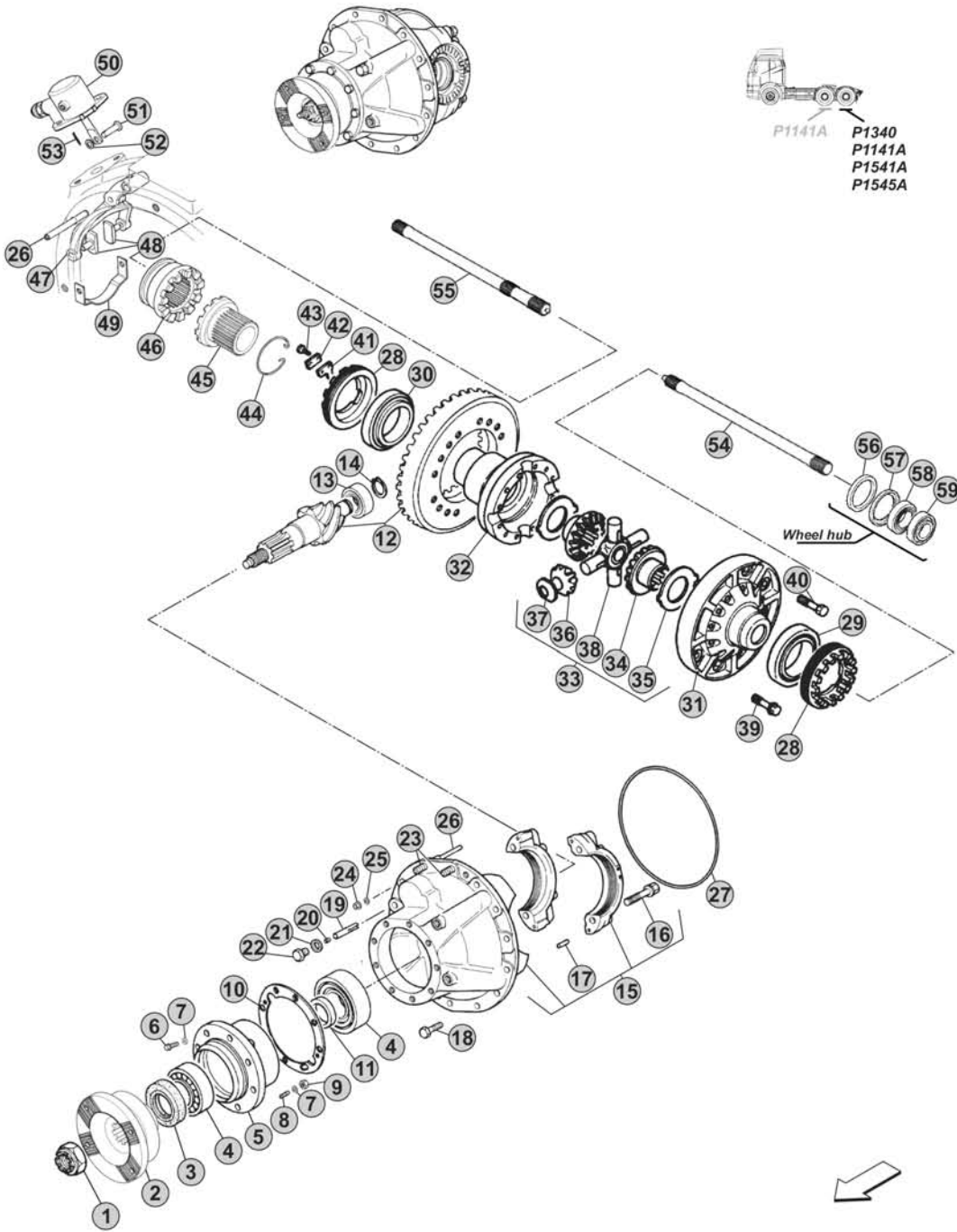
- (6) To be coupled together
(7) To be coupled together
(1) To be coupled together
(2) To be coupled together
(3) To be coupled together

VERSIONS:

- REAR P1340
- REAR P1141A
- REAR P1541A
- REAR P1545A

APPLICATIONS:

- MIDLINER (P1141A - P1541A - P1340)
- MIDLUM (P1141A - P1541A)
- PREMIUM
- MAGNUM (P1541A - P1545A)
- KERAX (P1141A - P1541A - P1545A)



Our spare parts are not the originals but interchangeable with the originals ones. All original equipment manufacturers' numbers, pictures and models used in this catalogue are for reference only. Our products bear our trade-mark.

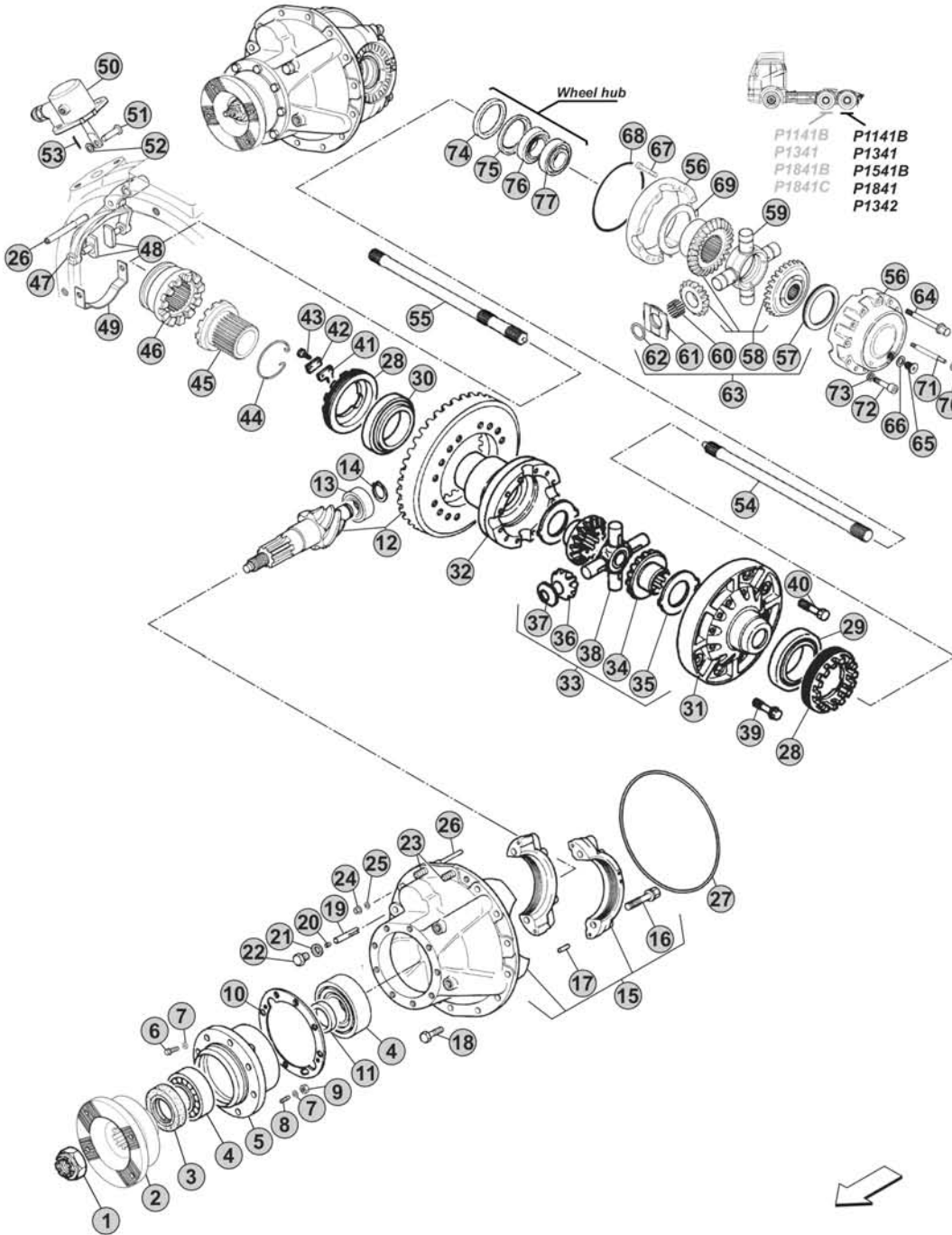
Notes

VERSIONS:

- REAR P1141B
- REAR P1341
- REAR P1541B
- REAR P1841
- REAR P1342

APPLICATIONS:

- C Series (P1341)
- G Series (P1341)
- MIDLINER (P1541B - P1141B - P1341 - P1841)
- R Series (P1341)
- MIDLUM (P1541B - P1141B - P1341 - P1841)
- PREMIUM
- MAGNUM (P1541B - P1341 - P1342 - P1841)
- KERAX



Notes

Our spare parts are not the originals but interchangeable with the originals ones. All original equipment manufacturers' numbers, pictures and models used in this catalogue are for reference only. Our products bear our trade-mark.

Fig.	CEI no.	RENAULT no.	Description	Q.ty	Notes	P1141B	P1341	P1541B	P1841	P1342
1	287.004	50 00 664 043	Nut	1		●	●	●	●	●
2	197.146	50 10 241 998	Flange	1		●	●	●	●	●
3	139.758	50 10 534 863	Oil Seal	1		●	●	●	●	●
4	130.745	50 00 682 795	Bearing	2		●	●	●	●	●
5	175.317	50 00 675 546	Bearings cage	1	(4)	●	●	●	●	●
5	175.318	50 00 675 727	Bearings cage	1	(5)	●	●	●	●	●
6		50 03 101 240	Screw	7	(4)	●	●	●	●	●
6		50 03 101 240	Screw	9	(5)	●	●	●	●	●
7		00 21 247 008	Washer	9	(4-5)	●	●	●	●	●
8		50 03 027 694	Stud	2	(4)	●	●	●	●	●
9		50 03 032 243	Nut	2	(4)	●	●	●	●	●
10	269.336	50 10 241 468	Thrust washer mm. 0,25	0		●	●	●	●	●
10	269.337	50 00 675 547	Thrust washer mm. 0,30	0		●	●	●	●	●
10		50 00 675 548	Thrust washer mm. 0,40	0		●	●	●	●	●
10		50 00 675 549	Thrust washer mm. 0,50	0		●	●	●	●	●
10		50 00 675 550	Thrust washer mm. 0,60	0		●	●	●	●	●
10		50 00 675 551	Thrust washer mm. 0,70	0		●	●	●	●	●
10		50 00 675 552	Thrust washer mm. 1,00	0		●	●	●	●	●
11	269.334	50 00 664 148	Spacer mm. 15,10	0		●	●	●	●	●
11	269.335	50 00 664 149	Spacer mm. 15,60	0		●	●	●	●	●
11		50 00 664 150	Spacer mm. 16,00	0		●	●	●	●	●
12	194.667	56 00 584 421	Crown & Pinion 21x37 R.1,76	1	(1) 100 Km/h	●	●	●	●	●
12	194.915	56 00 594 920	Crown & Pinion 20x37 R.1,85	1	(1) 95 Km/h	●	●	●	●	●
12	194.908	56 00 594 919	Crown & Pinion 19x37 R.1,95	1	(1) 90 Km/h	●	●	●	●	●
12	194.905	56 00 594 918	Crown & Pinion 17x35 R.2,06	1	(1) 86 Km/h	●	●	●	●	●
12	194.907	56 00 594 917	Crown & Pinion 17x37 R.2,18	1	(1) 81 Km/h	●	●	●	●	●
12	194.906	56 00 594 916	Crown & Pinion 16x37 R.2,31	1	(2) 76 Km/h	●	●	●	●	●
12	194.911	56 00 594 915	Crown & Pinion 17x41 R.2,41	1	(2) 73 Km/h	●	●	●	●	●
12	194.840	56 00 594 914	Crown & Pinion 16x41 R.2,56	1	(2) 69 Km/h	●	●	●	●	●
12	194.917	56 00 594 913	Crown & Pinion 14x38 R.2,71	1	(3) 65 Km/h	●	●	●	●	●
12	194.909	56 00 594 912	Crown & Pinion 14x41 R.2,93	1	(3) 60 Km/h	●	●	●	●	●
12	194.916	56 00 594 911	Crown & Pinion 13x41 R.3,15	1	(3) 56 Km/h	●	●	●	●	●
12	194.910	56 00 594 910	Crown & Pinion 11x38 R.3,45	1	(3) 51 Km/h	●	●	●	●	●
12	194.975	56 00 594 909	Crown & Pinion 11x41 R.3,73	1	(3) 47 Km/h	●	●	●	●	●
12	194.974	56 00 594 908	Crown & Pinion 10x41 R.4,10	1	(3) 43 Km/h	●	●	●	●	●
12	194.972	56 00 594 907	Crown & Pinion 9x41 R.4,56	1	(3) 39 km/h	●	●	●	●	●
12	194.973	56 00 594 906	Crown & Pinion 8x41 R.5,13	1	(3) 34 km/h	●	●	●	●	●
13	130.739	50 00 785 250	Bearing	1		●	●	●	●	●
14	111.268	74 00 914 465	Seeger ring	1		●	●	●	●	●
15		50 00 675 542	Differential support housing	1		●	●	●	●	●
16		00 00 192 293	Screw	4		●	●	●	●	●
17		50 10 610 282	Pin	4		●	●	●	●	●
18		50 10 241 515	Screw	11		●	●	●	●	●

Date

12/2015

Notes

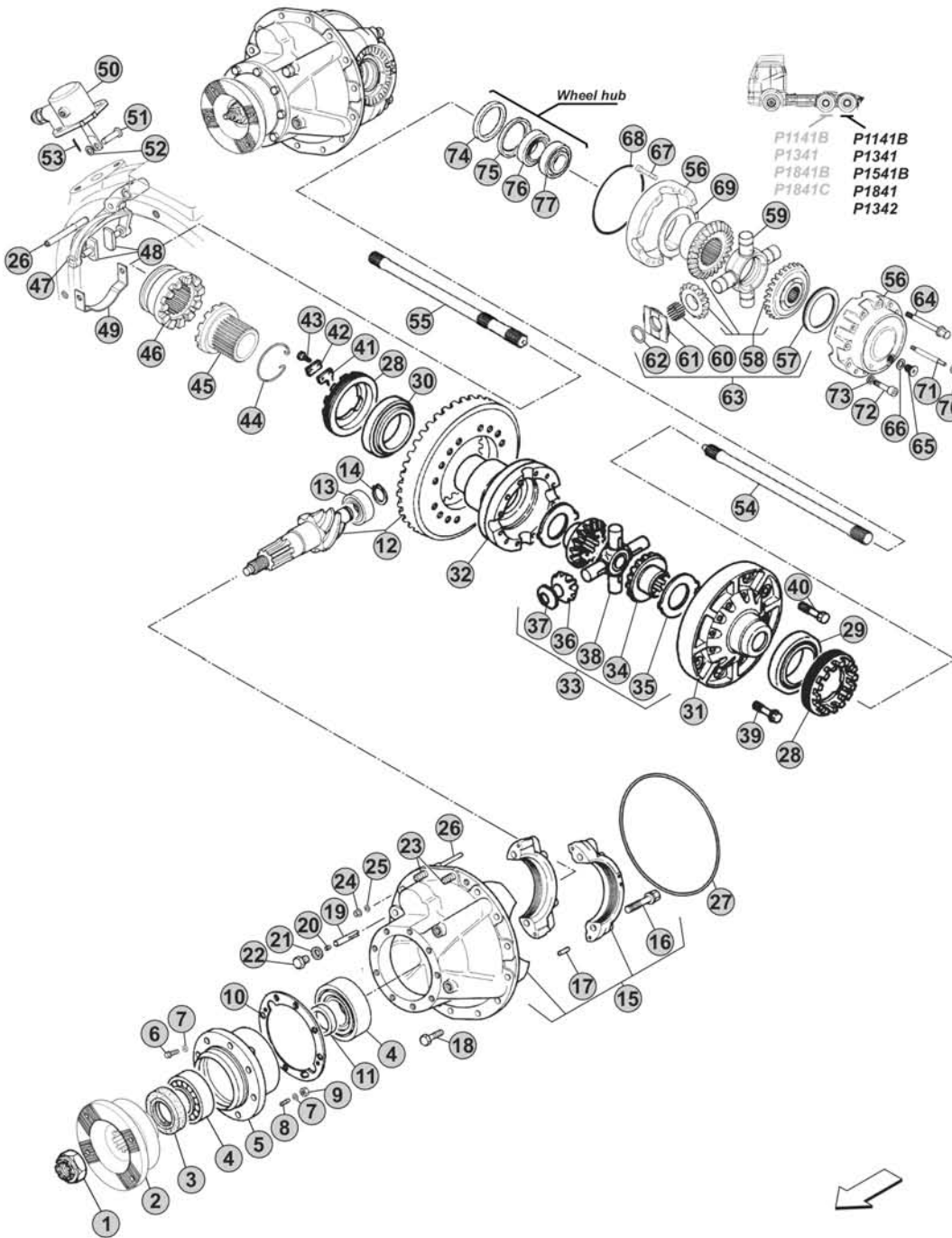
- (4) To be coupled together
 (5) To be coupled together
 (1) To be coupled together
 (2) To be coupled together
 (3) To be coupled together

VERSIONS:

- REAR P1141B
- REAR P1341
- REAR P1541B
- REAR P1841
- REAR P1342

APPLICATIONS:

- C Series (P1341)
- G Series (P1341)
- MIDLINER (P1541B - P1141B - P1341 - P1841)
- R Series (P1341)
- MIDLUM (P1541B - P1141B - P1341 - P1841)
- PREMIUM
- MAGNUM (P1541B - P1341 - P1342 - P1841)
- KERAX



Notes

[Blank area for notes]

Our spare parts are not the originals but interchangeable with the originals ones. All original equipment manufacturers' numbers, pictures and models used in this catalogue are for reference only. Our products bear our trade-mark.

Fig.	CEI no.	RENAULT no.	Description	Q.ty	Notes	P1141B	P1341	P1541B	P1841	P1342
19		50 00 654 092	Oil Tube	1		●	●	●	●	●
20		00 00 188 148	Spring	1		●	●	●	●	●
21		00 21 323 045	Gasket	1		●	●	●	●	●
22		50 00 671 460	Plug	1		●	●	●	●	●
23		50 00 664 662	Stud	2	(6)	●	●	●	●	●
23		50 10 241 517	Stud	2	(7)	●	●	●	●	●
24		50 03 032 243	Nut	2		●	●	●	●	●
25		00 00 141 014	Washer	2		●	●	●	●	●
26		50 00 671 203	Pin	1	(6)	●	●	●	●	●
26		50 10 241 516	Pin	1	(7)	●	●	●	●	●
27	139.841	09 48 360 937	O-Ring	1		●	●	●	●	●
28	187.745	50 00 664 855	Grooved nut	2		●	●	●	●	●
29	130.740	50 10 241 094	Bearing	1		●	●	●	●	●
30	130.822	50 10 241 096	Bearing	1	Premium brand	●	●	●	●	●
30	530.822	50 10 241 096	Bearing	1	Aftermarket	●	●	●	●	●
31	175.295	50 10 534 112	Differential half housing	1	(1)	●	●	●	●	●
31	175.307	50 10 534 111	Differential half housing	1	(2)	●	●	●	●	●
31	175.305	50 10 534 110	Differential half housing	1	(3)	●	●	●	●	●
32	175.306	50 10 534 113	Differential half housing	1	(1-2-3)	●	●	●	●	●
33	298.037	50 00 794 101	Differential kit	1	Z16 - Z11	●	●	●	●	●
33	298.044	50 01 857 599	Differential kit	1	Z14 - Z9	●	●	●	●	●
34	122.129	682189130	Differential side gear	2	Z16	●	●	●	●	●
34	122.174	50 10 443 927	Differential side gear	2	Z14	●	●	●	●	●
35	269.018	50 00 671 226	Side gear thrust washer	2		●	●	●	●	●
36	182.094	50 10 534 646	Differential side pinion	4	Z11	●	●	●	●	●
36	182.112	50 10 534 637	Differential side pinion	4	Z9	●	●	●	●	●
37	269.017	50 10 534 114	Side pinion thrust washer	4		●	●	●	●	●
38	133.158	50 00 675 792	Differential Spider	1		●	●	●	●	●
39	187.727	50 00 671 332	Screw	16		●	●	●	●	●
40	187.746	50 00 682 326	Screw	12		●	●	●	●	●
41	188.306	50 00 654 526	Lock plate	2		●	●	●	●	●
42	188.307	00 00 184 616	Lock plate	2		●	●	●	●	●
43	187.818	77 03 002 020	Screw	4		●	●	●	●	●
44	111.408	50 00 671 227	Seeger ring	1		●	●	●	●	●
45	154.401	50 00 671 457	Sleeve	1		●	●	●	●	●
46	154.374	50 00 664 083	Block sleeve	1		●	●	●	●	●
46	154.249	50 10 443 227	Block sleeve	1		●	●	●	●	●
47		50 00 685 685	Fork	1	(6)	●	●	●	●	●
47		50 10 534 099	Fork	1	(7)	●	●	●	●	●
48	141.197	50 00 664 011	Sliding pad	2	(6)	●	●	●	●	●
48	141.285	50 10 611 038	Sliding pad	2	(7)	●	●	●	●	●
49		50 00 664 012	Support	1	(6)	●	●	●	●	●
50		50 10 319 858	Differential lock control	1	(6)	●	●	●	●	●

P1141B - P1341
P1541B - P1841 - P1342

Date

12/2015

Notes

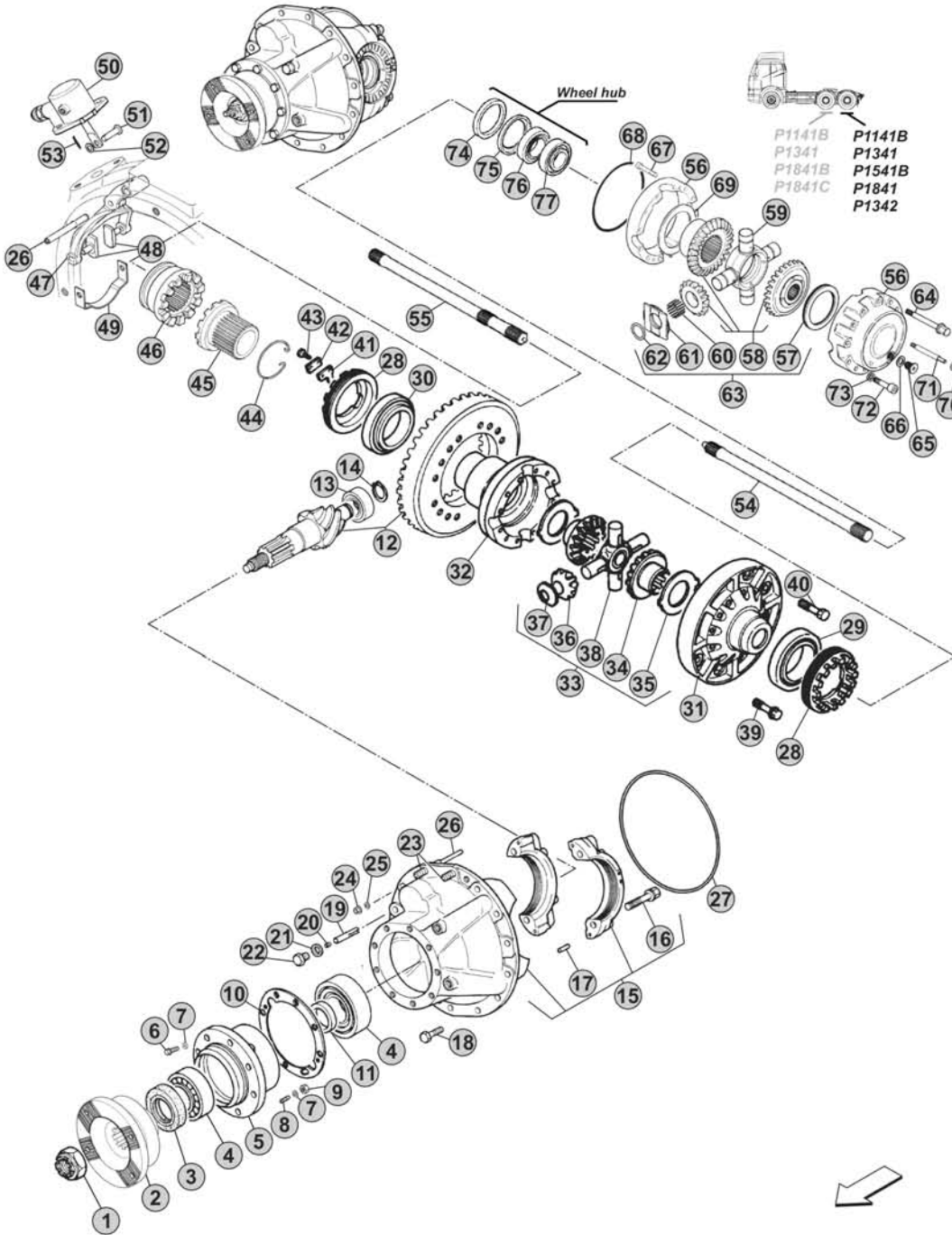
- (6) To be coupled together
(7) To be coupled together
(1) To be coupled together
(2) To be coupled together
(3) To be coupled together

VERSIONS:

- REAR P1141B
- REAR P1341
- REAR P1541B
- REAR P1841
- REAR P1342

APPLICATIONS:

- C Series (P1341)
- G Series (P1341)
- MIDLINER (P1541B - P1141B - P1341 - P1841)
- R Series (P1341)
- MIDLUM (P1541B - P1141B - P1341 - P1841)
- PREMIUM
- MAGNUM (P1541B - P1341 - P1342 - P1841)
- KERAX



Notes

[Empty space for notes]

Our spare parts are not the originals but interchangeable with the originals ones. All original equipment manufacturers' numbers, pictures and models used in this catalogue are for reference only. Our products bear our trade-mark.

Fig.	CEI no.	RENAULT no.	Description	Q.ty	Notes	P1141B	P1341	P1541B	P1841	P1342
50		50 10 319 698	Differential lock control	1	(6)	●	●	●	●	●
50		50 10 244 374	Differential lock control	1	(7)	●	●	●	●	●
51		50 10 292 740	Pin	1	(6)	●	●	●	●	●
52		74 20 920 460	Washer	1	(6)	●	●	●	●	●
53		50 03 068 082	Cotter pin	1	(6)	●	●	●	●	●
54	170.249	50 10 534 083	Drive shaft	1		●				
54	170.246	50 00 675 801	Drive shaft	1		●				
54	170.254	50 00 682 524	Drive shaft	1			●			
54	170.223	50 00 675 990	Drive shaft	1			●	●	●	
54	170.243	50 00 675 838	Drive shaft	1						●
54	170.242	50 10 534 086	Drive shaft	1				●		
55	170.247	50 10 534 081	Drive shaft	1		●				
55	170.248	50 00 675 803	Drive shaft	1		●				
55	170.253	50 00 675 798	Drive shaft	1	W/out Lock		●			
55	170.252	50 00 675 800	Drive shaft	1	With Lock		●			
55	170.251	50 00 675 790	Drive shaft	1	W/out Lock		●			
55	170.250	50 00 675 791	Drive shaft	1	With Lock		●			
55	170.244	50 10 534 085	Drive shaft	1						●
55	170.240	50 10 534 092	Drive shaft	1				●		●
55	170.239	50 00 682 748	Drive shaft	1	With Lock			●	●	●
55	170.263	50 00 682 747	Drive shaft	1	W/out Lock				●	
56	175.314	50 00 664 413	Wheel reduction housing	1		●	●	●	●	
56	175.319	50 10 319 269	Wheel reduction housing	1						●
57	130.447	50 10 611 109	Bearing	1		●	●	●	●	
57	130.753	50 10 241 889	Bearing	1						●
58	298.109	50 00 849 420	Wheel reduction gear kit	1		●	●	●	●	
58	298.110	50 00 849 667	Wheel reduction gear kit	1						●
59	133.166	50 10 534 987	Wheel reduction gear spider	1		●	●	●	●	
59	133.029	00 00 192 766	Wheel reduction gear spider	1						●
60	171.089	50 10 443 947	Needle	0		●	●	●	●	●
61	130.446	50 10 611 110	Bearing	4		●	●	●	●	
61	269.096	50 10 241 890	Bearing	4						●
62	269.091	09 48 361 064	O-Ring	4		●	●	●	●	
62	139.225	09 48 360 986	O-Ring	4						●
63	298.499	74 85 141 843	Wheel reduction gear kit	1		●	●	●	●	
64	187.771	50 00 671 328	Screw	12		●	●	●	●	
64		50 00 671 698	Screw	12						●
65	185.063	74 20 815 098	Plug	1		●	●	●	●	●
66	269.507	77 03 062 063	Gasket	1		●	●	●	●	●
67	187.562	50 03 009 278	Screw	3		●	●	●	●	●
68	139.984	50 03 065 132	O-Ring	1		●	●	●	●	
68	139.982	50 10 319 267	O-Ring	1						●
69		50 00 664 064	Thrust washer mm. 0,90	0		●	●	●	●	

Date

12/2015

Notes

(6) To be coupled together
(7) To be coupled together

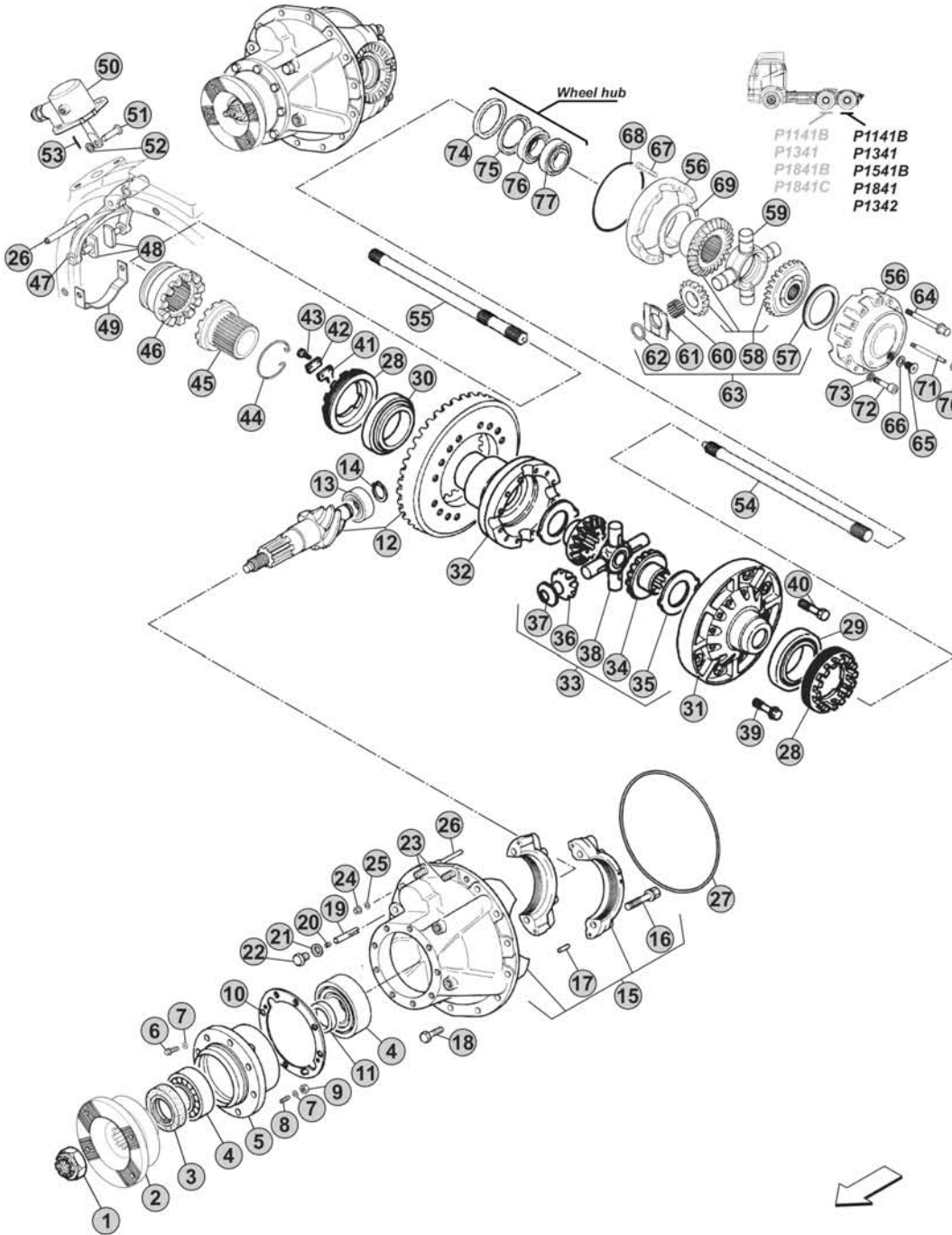
P1141B - P1341
P1541B - P1841 - P1342

VERSIONS:

- REAR P1141B
- REAR P1341
- REAR P1541B
- REAR P1841
- REAR P1342

APPLICATIONS:

- C Series (P1341)
- G Series (P1341)
- MIDLINER (P1541B - P1141B - P1341 - P1841)
- R Series (P1341)
- MIDLUM (P1541B - P1141B - P1341 - P1841)
- PREMIUM
- MAGNUM (P1541B - P1341 - P1342 - P1841)
- KERAX



Notes

[Empty space for notes]



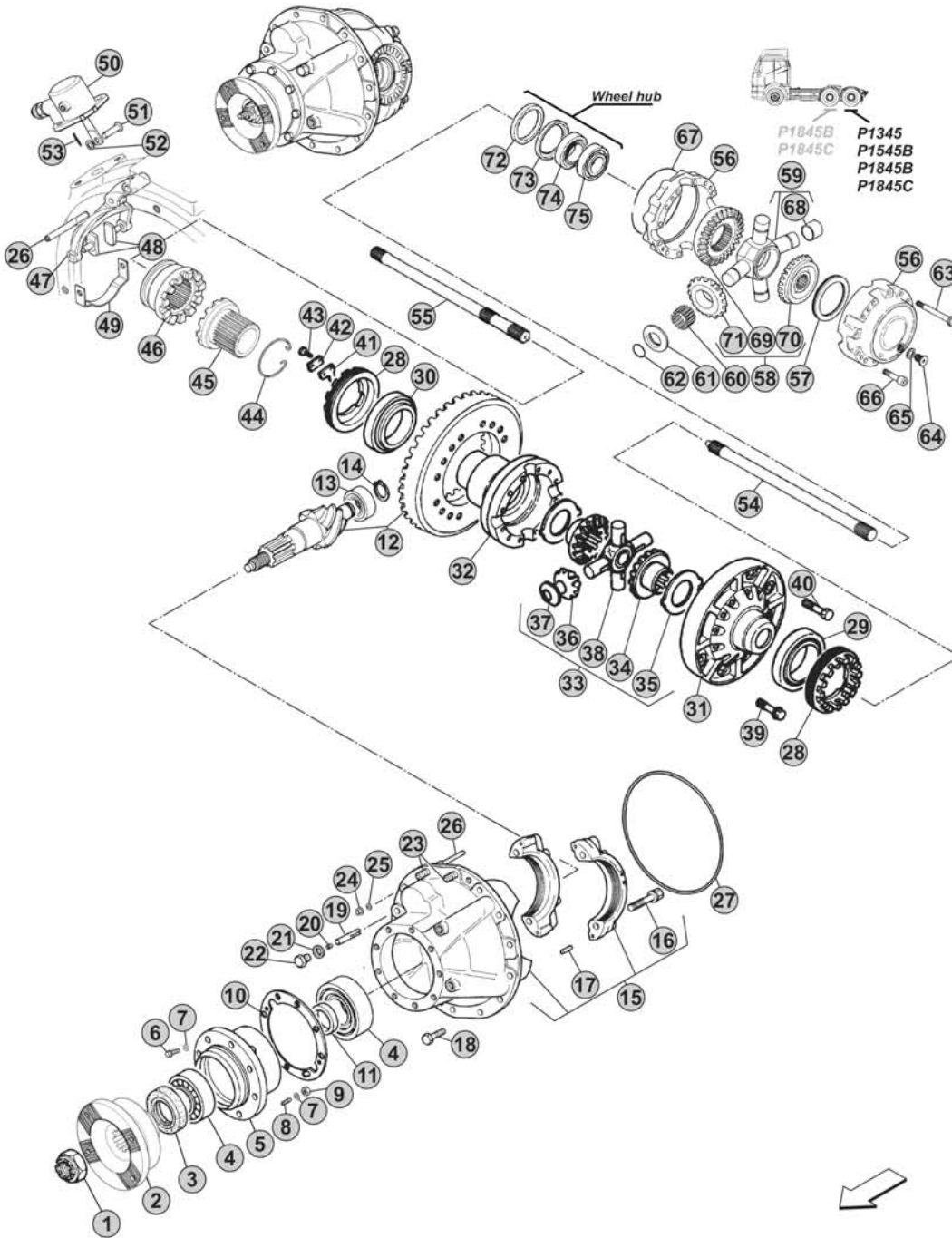
Our spare parts are not the originals but interchangeable with the originals ones. All original equipment manufacturers' numbers, pictures and models used in this catalogue are for reference only. Our products bear our trade-mark.

VERSIONS:

- REAR P1345
- REAR P1545B
- REAR P1845B
- REAR P1845C

APPLICATIONS:

- PREMIUM (P1345)
- MAGNUM (P1345)
- KERAX



Notes

Our spare parts are not the originals but interchangeable with the originals ones. All original equipment manufacturers' numbers, pictures and models used in this catalogue are for reference only. Our products bear our trade-mark.

Fig.	CEI no.	RENAULT no.	Description	Q.ty	Notes	P1345	P1545B	P1845B	P1845C
1	287.004	50 00 664 043	Nut	1		●	●	●	●
2	197.146	50 10 241 998	Flange	1		●	●	●	●
3	139.758	50 10 534 863	Oil Seal	1		●	●	●	●
4	130.745	50 00 682 795	Bearing	2		●	●	●	●
5	175.317	50 00 675 546	Bearings cage	1	(4)	●	●	●	●
5	175.318	50 00 675 727	Bearings cage	1	(5)	●	●	●	●
6		50 03 101 240	Screw	7	(4)	●	●	●	●
6		50 03 101 240	Screw	9	(5)	●	●	●	●
7		00 21 247 008	Washer	9	(4-5)	●	●	●	●
8		50 03 027 694	Stud	2	(4)	●	●	●	●
9		50 03 032 243	Nut	2	(4)	●	●	●	●
10	269.336	50 10 241 468	Thrust washer mm. 0,25	0		●	●	●	●
10	269.337	50 00 675 547	Thrust washer mm. 0,30	0		●	●	●	●
10		50 00 675 548	Thrust washer mm. 0,40	0		●	●	●	●
10		50 00 675 549	Thrust washer mm. 0,50	0		●	●	●	●
10		50 00 675 550	Thrust washer mm. 0,60	0		●	●	●	●
10		50 00 675 551	Thrust washer mm. 0,70	0		●	●	●	●
10		50 00 675 552	Thrust washer mm. 1,00	0		●	●	●	●
11	269.334	50 00 664 148	Spacer mm. 15,10	0		●	●	●	●
11	269.335	50 00 664 149	Spacer mm. 15,60	0		●	●	●	●
11		50 00 664 150	Spacer mm. 16,00	0		●	●	●	●
12	194.667	56 00 584 421	Crown & Pinion 21x37 R.1,76	1	(1) 100 Km/h	●	●	●	●
12	194.915	56 00 594 920	Crown & Pinion 20x37 R.1,85	1	(1) 95 Km/h	●	●	●	●
12	194.908	56 00 594 919	Crown & Pinion 19x37 R.1,95	1	(1) 90 Km/h	●	●	●	●
12	194.905	56 00 594 918	Crown & Pinion 17x35 R.2,06	1	(1) 86 Km/h	●	●	●	●
12	194.907	56 00 594 917	Crown & Pinion 17x37 R.2,18	1	(1) 81 Km/h	●	●	●	●
12	194.906	56 00 594 916	Crown & Pinion 16x37 R.2,31	1	(2) 76 Km/h	●	●	●	●
12	194.911	56 00 594 915	Crown & Pinion 17x41 R.2,41	1	(2) 73 Km/h	●	●	●	●
12	194.840	56 00 594 914	Crown & Pinion 16x41 R.2,56	1	(2) 69 Km/h	●	●	●	●
12	194.917	56 00 594 913	Crown & Pinion 14x38 R.2,71	1	(3) 65 Km/h	●	●	●	●
12	194.909	56 00 594 912	Crown & Pinion 14x41 R.2,93	1	(3) 60 Km/h	●	●	●	●
12	194.916	56 00 594 911	Crown & Pinion 13x41 R.3,15	1	(3) 56 Km/h	●	●	●	●
12	194.910	56 00 594 910	Crown & Pinion 11x38 R.3,45	1	(3) 51 Km/h	●	●	●	●
12	194.975	56 00 594 909	Crown & Pinion 11x41 R.3,73	1	(3) 47 Km/h	●	●	●	●
12	194.974	56 00 594 908	Crown & Pinion 10x41 R.4,10	1	(3) 43 Km/h	●	●	●	●
12	194.972	56 00 594 907	Crown & Pinion 9x41 R.4,56	1	(3) 39 km/h	●	●	●	●
12	194.973	56 00 594 906	Crown & Pinion 8x41 R.5,13	1	(3) 34 km/h	●	●	●	●
13	130.739	50 00 785 250	Bearing	1		●	●	●	●
14	111.268	74 00 914 465	Seeger ring	1		●	●	●	●
15		50 00 675 542	Differential support housing	1		●	●	●	●
16		00 00 192 293	Screw	4		●	●	●	●
17		50 10 610 282	Pin	4		●	●	●	●
18		50 10 241 515	Screw	11		●	●	●	●

P1345 - P1545B
P1845B - P1845C

Date

12/2015

Notes

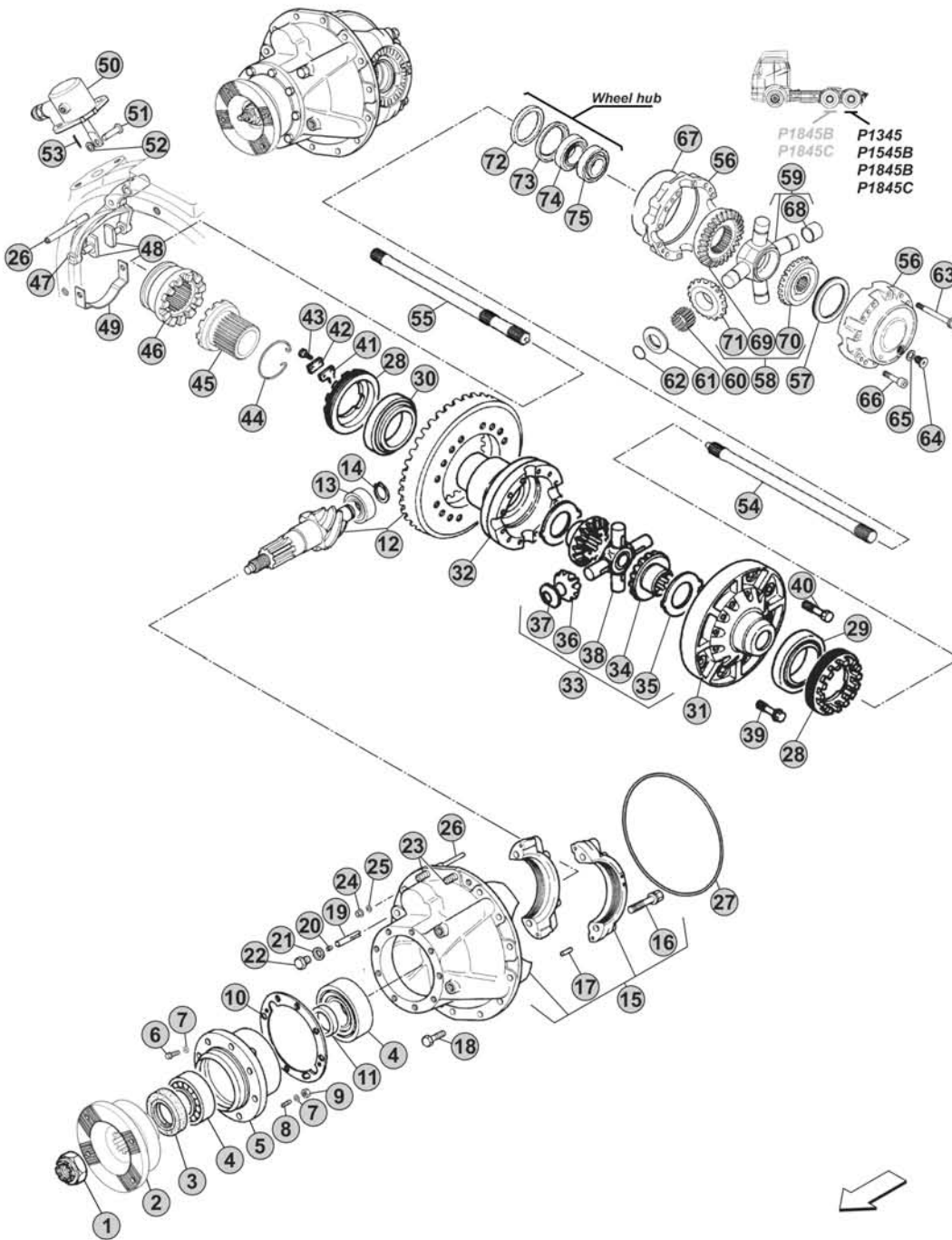
- (4) To be coupled together
(5) To be coupled together
(1) To be coupled together
(2) To be coupled together
(3) To be coupled together

VERSIONS:

- REAR P1345
- REAR P1545B
- REAR P1845B
- REAR P1845C

APPLICATIONS:

- PREMIUM (P1345)
- MAGNUM (P1345)
- KERAX



Notes

[Empty space for notes]

Our spare parts are not the originals but interchangeable with the originals ones. All original equipment manufacturers' numbers, pictures and models used in this catalogue are for reference only. Our products bear our trade-mark.

Fig.	CEI no.	RENAULT no.	Description	Q.ty	Notes	P1345	P1545B	P1845B	P1845C
19		50 00 654 092	Oil Tube	1		●	●	●	●
20		00 00 188 148	Spring	1		●	●	●	●
21		00 21 323 045	Gasket	1		●	●	●	●
22		50 00 671 460	Plug	1		●	●	●	●
23		50 00 664 662	Stud	2	(6)	●	●	●	●
23		50 10 241 517	Stud	2	(7)	●	●	●	●
24		50 03 032 243	Nut	2		●	●	●	●
25		00 00 141 014	Washer	2		●	●	●	●
26		50 00 671 203	Pin	1	(6)	●	●	●	●
26		50 10 241 516	Pin	1	(7)	●	●	●	●
27	139.841	09 48 360 937	O-Ring	1		●	●	●	●
28	187.745	50 00 664 855	Grooved nut	2		●	●	●	●
29	130.740	50 10 241 094	Bearing	1		●	●	●	●
30	130.822	50 10 241 096	Bearing	1	Premium brand	●	●	●	●
30	530.822	50 10 241 096	Bearing	1	Aftermarket	●	●	●	●
31	175.295	50 10 534 112	Differential half housing	1	(1)	●	●	●	●
31	175.307	50 10 534 111	Differential half housing	1	(2)	●	●	●	●
31	175.305	50 10 534 110	Differential half housing	1	(3)	●	●	●	●
32	175.306	50 10 534 113	Differential half housing	1	(1-2-3)	●	●	●	●
33	298.037	50 00 794 101	Differential kit	1	Z16 - Z11	●	●	●	●
33	298.044	50 01 857 599	Differential kit	1	Z14 - Z9	●	●	●	●
34	122.129	682189130	Differential side gear	2	Z16	●	●	●	●
34	122.174	50 10 443 927	Differential side gear	2	Z14	●	●	●	●
35	269.018	50 00 671 226	Side gear thrust washer	2		●	●	●	●
36	182.094	50 10 534 646	Differential side pinion	4	Z11	●	●	●	●
36	182.112	50 10 534 637	Differential side pinion	4	Z9	●	●	●	●
37	269.017	50 10 534 114	Side pinion thrust washer	4		●	●	●	●
38	133.158	50 00 675 792	Differential Spider	1		●	●	●	●
39	187.727	50 00 671 332	Screw	16		●	●	●	●
40	187.746	50 00 682 326	Screw	12		●	●	●	●
41	188.306	50 00 654 526	Lock plate	2		●	●	●	●
42	188.307	00 00 184 616	Lock plate	2		●	●	●	●
43	187.818	77 03 002 020	Screw	4		●	●	●	●
44	111.408	50 00 671 227	Seeger ring	1		●	●	●	●
45	154.401	50 00 671 457	Sleeve	1		●	●	●	●
46	154.374	50 00 664 083	Block sleeve	1		●	●	●	●
46	154.249	50 10 443 227	Block sleeve	1		●	●	●	●
47		50 00 685 685	Fork	1	(6)	●	●	●	●
47		50 10 534 099	Fork	1	(7)	●	●	●	●
48	141.197	50 00 664 011	Sliding pad	2	(6)	●	●	●	●
48	141.285	50 10 611 038	Sliding pad	2	(7)	●	●	●	●
49		50 00 664 012	Support	1	(6)	●	●	●	●
50		50 10 319 858	Differential lock control	1	(6)	●	●	●	●

 P1345 - P1545B
 P1845B - P1845C
Date

12/2015

Notes

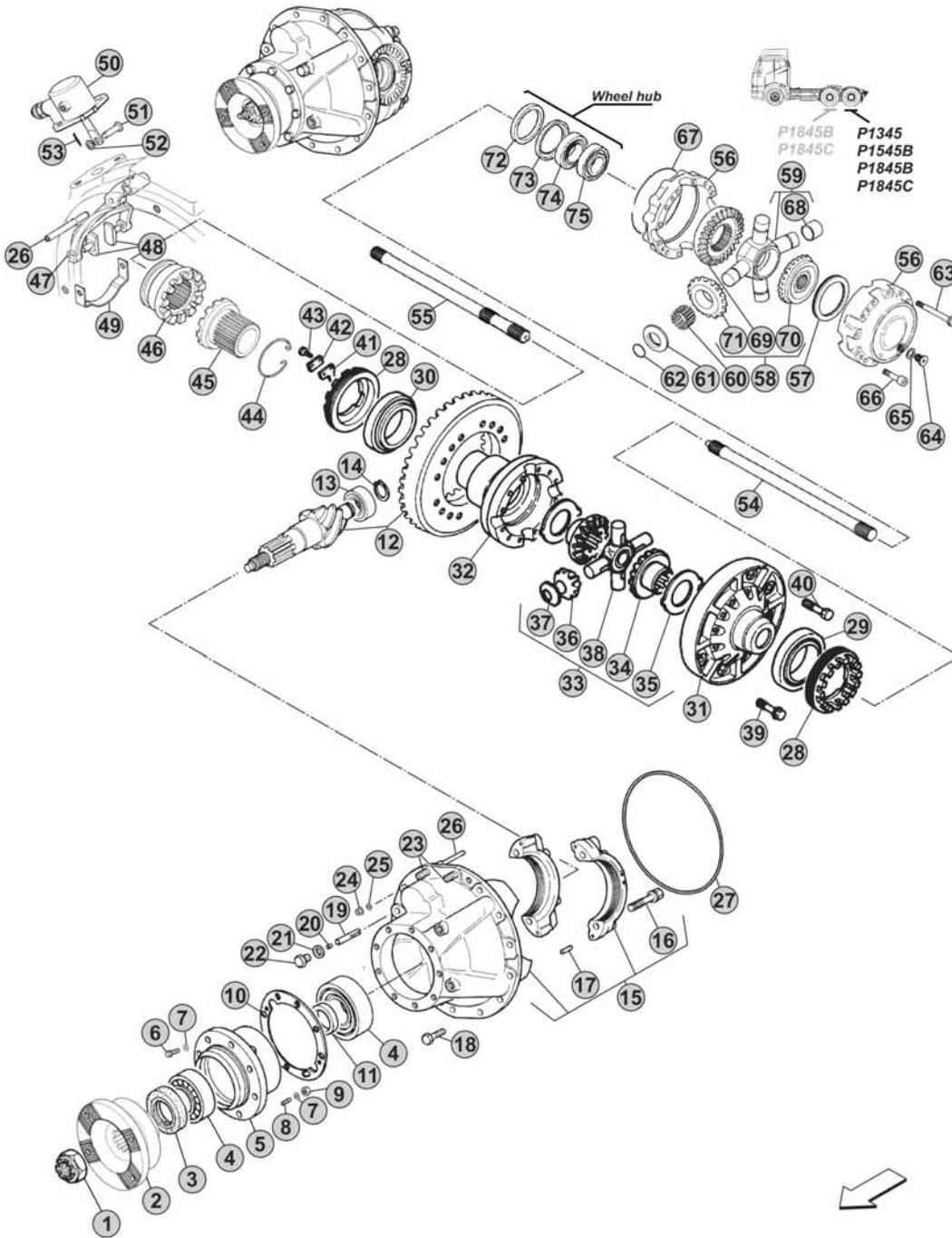
- (6) To be coupled together
 (7) To be coupled together
 (1) To be coupled together
 (2) To be coupled together
 (3) To be coupled together

VERSIONS:

- REAR P1345
- REAR P1545B
- REAR P1845B
- REAR P1845C

APPLICATIONS:

- PREMIUM (P1345)
- MAGNUM (P1345)
- KERAX



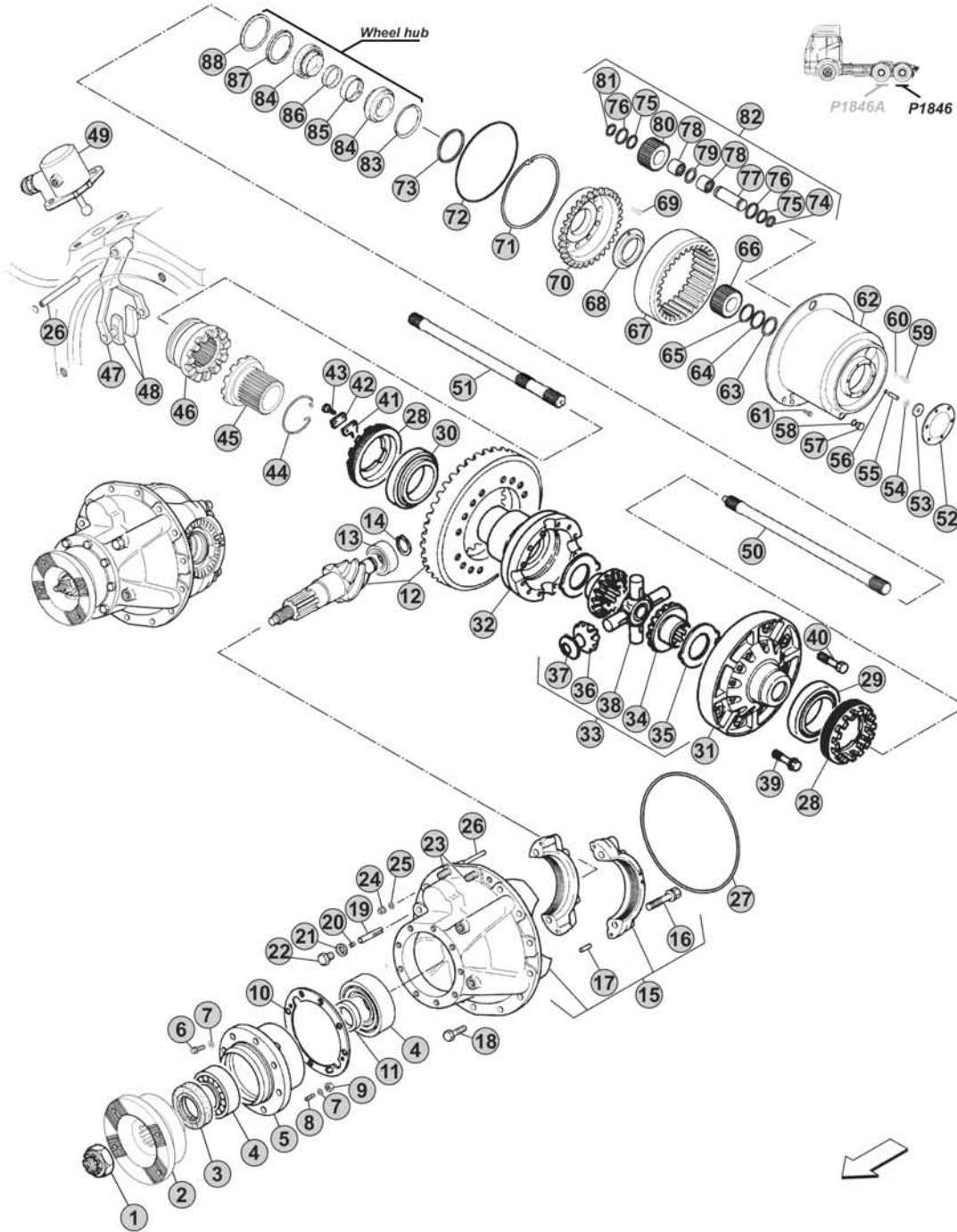
Notes

VERSIONS:

- REAR P1846

APPLICATIONS:

- KERAX



Notes

[Blank area for notes]

Our spare parts are not the originals but interchangeable with the originals ones. All original equipment manufacturers' numbers, pictures and models used in this catalogue are for reference only. Our products bear our trade-mark.

Fig.	CEI no.	RENAULT no.	Description	Q.ty	Notes	P1846				
1	287.004	50 00 664 043	Nut	1		●				
2	197.146	50 10 241 998	Flange	1		●				
3	139.758	50 10 534 863	Oil Seal	1		●				
4	130.745	50 00 682 795	Bearing	2		●				
5	175.317	50 00 675 546	Bearings cage	1		●				
6		50 03 101 240	Screw	7		●				
7		00 21 247 008	Washer	9		●				
8		50 03 027 694	Stud	2		●				
9		50 03 032 243	Nut	2		●				
10	269.336	50 10 241 468	Thrust washer mm. 0,25	0		●				
10	269.337	50 00 675 547	Thrust washer mm. 0,30	0		●				
10		50 00 675 548	Thrust washer mm. 0,40	0		●				
10		50 00 675 549	Thrust washer mm. 0,50	0		●				
10		50 00 675 550	Thrust washer mm. 0,60	0		●				
10		50 00 675 551	Thrust washer mm. 0,70	0		●				
10		50 00 675 552	Thrust washer mm. 1,00	0		●				
11	269.334	50 00 664 148	Spacer mm. 15,10	0		●				
11	269.335	50 00 664 149	Spacer mm. 15,60	0		●				
11		50 00 664 150	Spacer mm. 16,00	0		●				
12	194.908	56 00 594 919	Crown & Pinion 19x37 R.1,95	1	100 Km/h	●				
12	194.905	56 00 594 918	Crown & Pinion 17x35 R.2,06	1	95 Km/h	●				
13	130.739	50 00 785 250	Bearing	1		●				
14	111.268	74 00 914 465	Seeger ring	1		●				
15		50 00 675 542	Differential support housing	1		●				
16		00 00 192 293	Screw	4		●				
17		50 10 610 282	Pin	4		●				
18		50 10 241 515	Screw	11		●				
19		50 00 654 092	Oil Tube	1		●				
20		00 00 188 148	Spring	1		●				
21		00 21 323 045	Gasket	1		●				
22		50 00 671 460	Plug	1		●				
23		50 10 241 517	Stud	2		●				
24		50 03 032 243	Nut	2		●				
25		00 00 141 014	Washer	2		●				
26		50 10 241 516	Pin	1		●				
27	139.841	09 48 360 937	O-Ring	1		●				
28	187.745	50 00 664 855	Grooved nut	2		●				
29	130.740	50 10 241 094	Bearing	1		●				
30	130.822	50 10 241 096	Bearing	1	Premium brand	●				
30	530.822	50 10 241 096	Bearing	1	Aftermarket	●				
31	175.295	50 10 534 112	Differential half housing	1		●				
32	175.306	50 10 534 113	Differential half housing	1		●				
33	298.079	50 01 865 510	Differential kit	1		●				

Date

12/2015

Notes

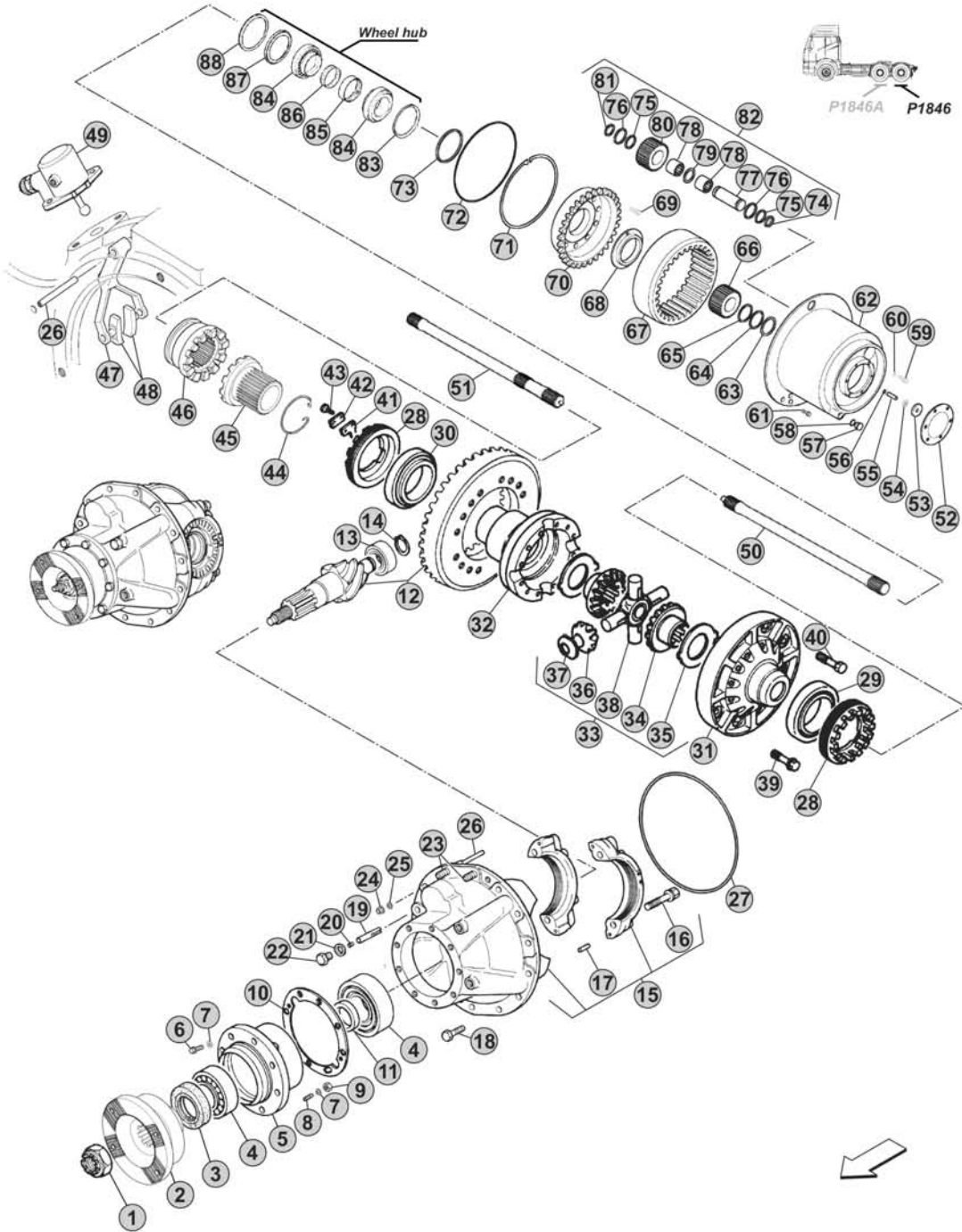
P1846

VERSIONS:

- REAR P1846

APPLICATIONS:

- KERAX



Notes

[Blank area for notes]

Our spare parts are not the originals but interchangeable with the originals ones. All original equipment manufacturers' numbers, pictures and models used in this catalogue are for reference only. Our products bear our trade-mark.

Fig.	CEI no.	RENAULT no.	Description	Q.ty	Notes	P1846				
34	122.174	50 10 443 927	Differential side gear	2		●				
35	269.018	50 00 671 226	Side gear thrust washer	2		●				
36	182.112	50 10 534 637	Differential side pinion	4		●				
37	269.017	50 10 534 114	Side pinion thrust washer	4		●				
38	133.158	50 00 675 792	Differential Spider	1		●				
39	187.727	50 00 671 332	Screw	16		●				
40	187.746	50 00 682 326	Screw	12		●				
41	188.306	50 00 654 526	Lock plate	2		●				
42	188.307	00 00 184 616	Lock plate	2		●				
43	187.818	77 03 002 020	Screw	4		●				
44	111.408	50 00 671 227	Seeger ring	1		●				
45	154.401	50 00 671 457	Sleeve	1		●				
46	154.374	50 00 664 083	Block sleeve	1		●				
47		50 10 534 099	Fork	1		●				
48	141.285	50 10 611 038	Sliding pad	2		●				
49		50 10 244 374	Differential lock control	1		●				
50		50 10 534 626	Drive shaft	1		●				
51		50 10 534 627	Drive shaft	1		●				
52		74 20 862 828	Cover	1		●				
53		74 20 862 940	Magnet	1		●				
54		50 01 863 631	Thrust washer	1		●				
55		74 20 862 853	Pin	1		●				
56		50 01 863 633	Ring	1		●				
57		74 00 981 281	Plug	1		●				
58		74 00 957 187	Gasket	1		●				
59		74 00 994 445	Screw	6		●				
60		74 00 994 893	Washer	6		●				
61		74 20 920 941	Screw	2		●				
62	175.284	74 03 191 854	Wheel hub support	1		●				
63		50 01 863 628	Thrust washer	1		●				
64		50 01 863 626	Thrust washer	1		●				
65		50 01 863 627	Thrust washer	1		●				
66	157.686	74 01 522 382	Wheel reduction gear sun gear	1		●				
67	123.260	74 01 522 380	Wheel reduction gear crown	1		●				
68	187.772	74 20 480 077	Grooved nut	1		●				
69		74 20 480 049	Screw	12		●				
70	150.277	74 20 480 076	Gear crown support	1		●				
71	111.409	74 01 522 392	Seeger ring	1		●				
72		74 00 982 108	O-Ring	1		●				
73	139.983	74 01 076 656	Gasket	1		●				
74	111.398	74 00 949 721	O-Ring	4		●				
75	169.780	74 08 171 167	Thrust washer	8		●				
76	169.779	74 08 171 165	Thrust washer	8		●				

Date

12/2015

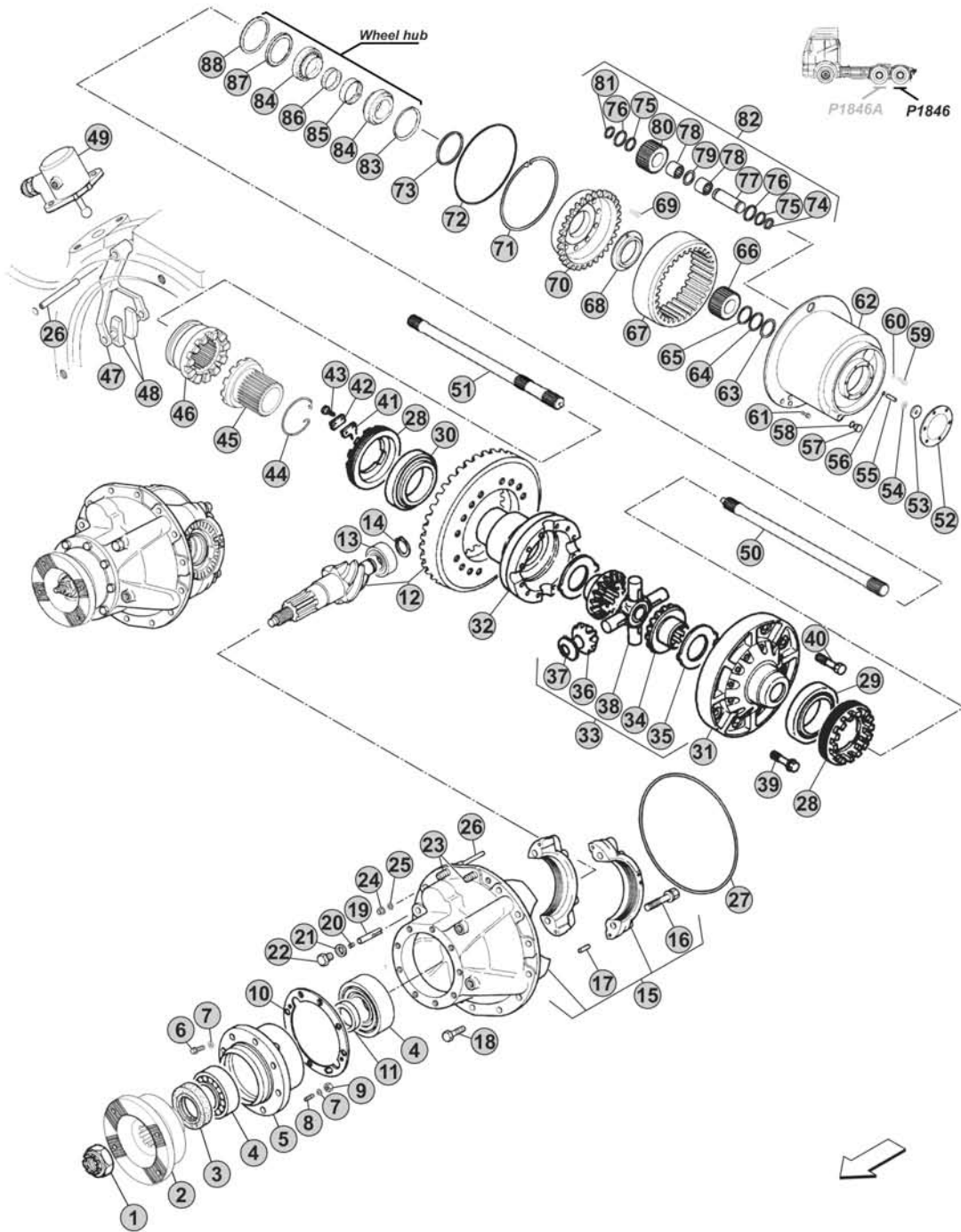
Notes

VERSIONS:

- REAR P1846

APPLICATIONS:

- KERAX



Our spare parts are not the originals but interchangeable with the originals ones. All original equipment manufacturers' numbers, pictures and models used in this catalogue are for reference only. Our products bear our trade-mark.

Notes

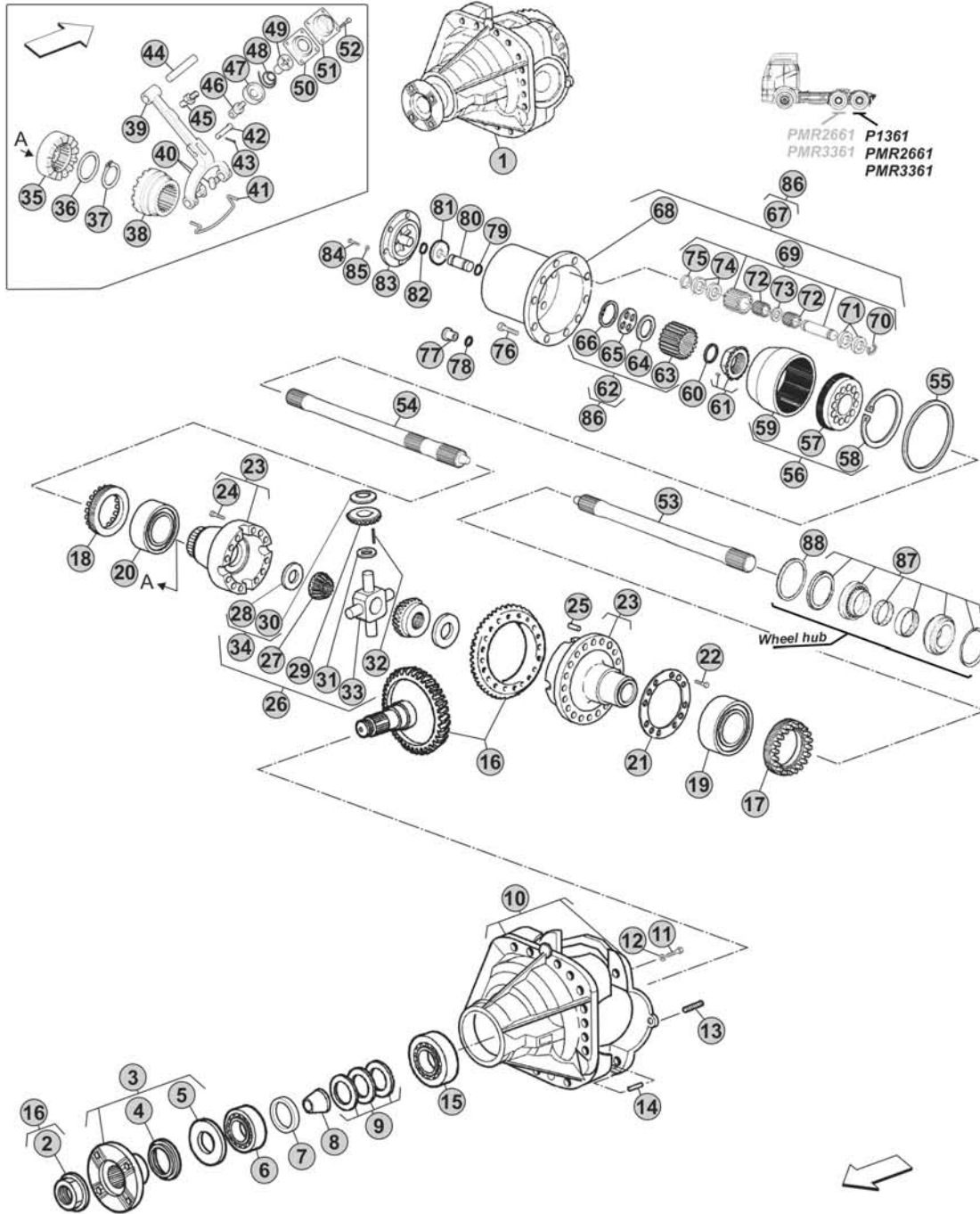
[Empty space for notes]

VERSIONS:

- REAR P1361
- REAR PMR2661
- REAR PMR3361

APPLICATIONS:

- PREMIUM (P1361 - PMR2661)
- KERAX



Notes

Our spare parts are not the originals but interchangeable with the originals ones. All original equipment manufacturers' numbers, pictures and models used in this catalogue are for reference only. Our products bear our trade-mark.

Fig.	CEI no.	RENAULT no.	Description	Q.ty	Notes	P1361	PMR2661	PMR3361
1		74 22 014 363	Differential rear Assy 25x25 R.1,00	1	100 Km/h	●	●	●
1		74 01 524 976	Differential rear Assy 24x25 R.1,04	1	96 Km/h	●	●	●
1		74 01 524 977	Differential rear Assy 23x25 R.1,09	1	92 Km/h	●	●	●
1		74 22 014 359	Differential rear Assy 21x25 R.1,19	1	84 Km/h	●	●	●
1		74 22 014 360	Differential rear Assy 19x25 R.1,32	1	76 Km/h	●	●	●
1		74 22 014 364	Differential rear Assy 20x27 R.1,35	1	74 Km/h	●	●	●
1		74 22 014 361	Differential rear Assy 19x30 R.1,58	1	63 Km/h	●	●	●
1		74 21 192 409	Differential rear Assy 19x30 R.1,58	1	63 Km/h	●	●	●
1		74 22 014 366	Differential rear Assy 14x25 R.1,79	1	56 Km/h	●	●	●
1		74 01 524 981	Differential rear Assy 12x25 R.2,08	1	48 Km/h	●	●	●
2	187.613	74 08 171 338	Grooved nut	1		●	●	●
3	197.296	74 21 612 293	Flange	1		●	●	●
4	239.062	74 20 907 634	Dust cover	1		●	●	●
5	239.055	74 21 448 461	Oil Seal	1		●	●	●
6	130.354	74 01 673 537	Bearing	1		●	●	●
7	269.059	74 01 523 232	Spacer mm. 7,46	0		●	●	●
7	269.060	74 01 523 233	Spacer mm. 7,48	0		●	●	●
7	269.061	74 01 523 234	Spacer mm. 7,54	0		●	●	●
7		74 01 523 235	Spacer mm. 7,60	0		●	●	●
7	269.062	74 01 523 236	Spacer mm. 7,66	0		●	●	●
7	269.063	74 01 523 237	Spacer mm. 7,68	0		●	●	●
8		74 01 524 929	Spacer L. 51,10 mm.	0		●	●	●
8		74 01 524 930	Spacer L. 51,70 mm.	0		●	●	●
8		74 01 524 931	Spacer L. 52,30 mm.	0		●	●	●
9		74 01 524 922	Thrust washer mm. 0,10	0		●	●	●
9		74 01 524 923	Thrust washer mm. 0,15	0		●	●	●
9		74 01 524 924	Thrust washer mm. 0,35	0		●	●	●
9		74 01 524 925	Thrust washer mm. 0,50	0		●	●	●
10		74 22 014 392	Differential support housing	1		●	●	●
11		74 20 521 373	Screw	4		●	●	●
12		74 20 521 399	Washer	4		●	●	●
13		74 01 069 782	Screws kit	1		●	●	●
14		74 00 951 989	Pin	2		●	●	●
15	130.355	74 01 524 926	Bearing	1		●	●	●
16	294.356	74 21 302 539	Crown & Pinion 25x25 R.1,00	1	(1) 100 Km/h	●	●	●
16	294.357	74 21 302 540	Crown & Pinion 24x25 R.1,04	1	(1) 96 Km/h	●	●	●
16	294.358	74 21 302 541	Crown & Pinion 23x25 R.1,09	1	(2) 92 Km/h	●	●	●
16	294.359	74 21 302 542	Crown & Pinion 21x25 R.1,19	1	(2) 84 Km/h	●	●	●
16	294.360	74 21 302 543	Crown & Pinion 19x25 R.1,32	1	(3) 76 Km/h	●	●	●
16	294.361	74 21 302 544	Crown & Pinion 20x27 R.1,35	1	(3) 74 Km/h	●	●	●
16	294.362	74 21 302 546	Crown & Pinion 19x30 R.1,58	1	(3) 63 Km/h	●	●	●
16	294.363	74 21 302 547	Crown & Pinion 14x25 R.1,79	1	(3) 56 Km/h	●	●	●
16	294.364	74 21 302 548	Crown & Pinion 12x25 R.2,08	1	(3) 48 Km/h	●	●	●

 P1361 - PMR2661
PMR3361
Date

12/2015

Notes

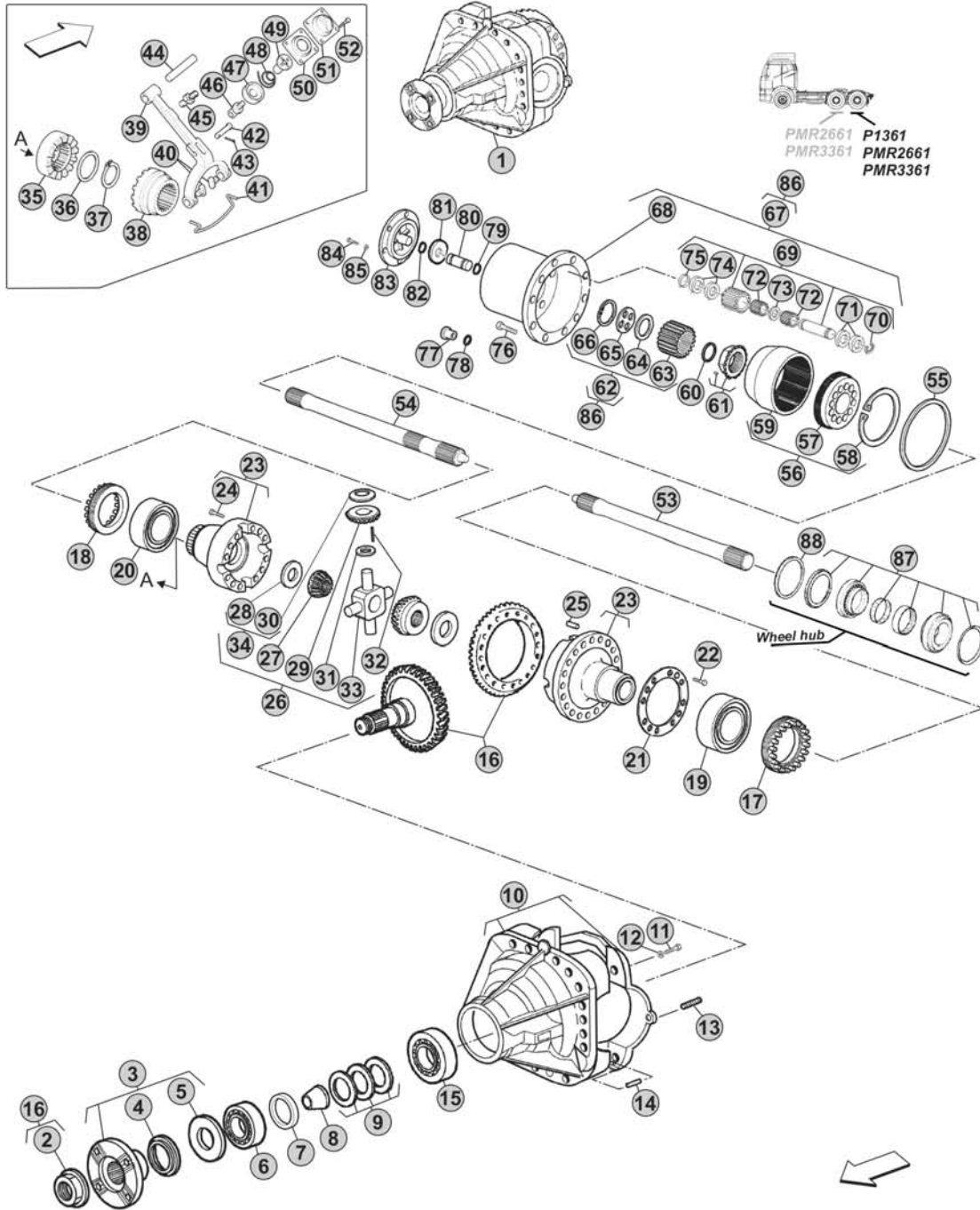
- (1) To be coupled together
 (2) To be coupled together
 (3) To be coupled together

VERSIONS:

- REAR P1361
- REAR PMR2661
- REAR PMR3361

APPLICATIONS:

- PREMIUM (P1361 - PMR2661)
- KERAX



Notes

Our spare parts are not the originals but interchangeable with the originals ones. All original equipment manufacturers' numbers, pictures and models used in this catalogue are for reference only. Our products bear our trade-mark.

Fig.	CEI no.	RENAULT no.	Description	Q.ty	Notes	P1361	PMR2661	PMR3361		
17	187.693	74 01 673 664	Grooved nut	1		●	●	●		
18	187.694	74 01 673 663	Grooved nut	1		●	●	●		
19	130.332	74 00 184 623	Bearing	1		●	●	●		
20	130.337	74 01 524 857	Bearing	1		●	●	●		
21	188.206	74 01 524 861	Lock plate	1		●	●	●		
22	187.685	74 00 963 311	Screw	10	(1-2)	●	●	●		
22	187.684	74 00 994 486	Screw	10	(3)	●	●	●		
23	199.157	74 21 302 549	Differential housing	1	(1)	●	●	●		
23	199.158	74 21 302 550	Differential housing	1	(2)	●	●	●		
23	199.159	74 21 302 551	Differential housing	1	(3)	●	●	●		
24	187.984	74 00 959 281	Screw	12		●	●	●		
25	160.229	74 00 950 679	Pin	10	(1-2)	●	●	●		
25	160.228	74 00 950 677	Pin	10	(3)	●	●	●		
26	198.791	74 20 523 491	Differential kit	1		●	●	●		
27	122.090	74 20 503 270	Differential side gear	2		●	●	●		
28	169.746	74 01 524 716	Side gear thrust washer	6		●	●	●		
29	182.065	74 20 503 268	Differential side pinion	4		●	●	●		
30	169.745	74 01 522 347	Side pinion thrust washer	4		●	●	●		
31	115.022	74 01 522 344	Ring	4		●	●	●		
32	171.029	74 01 522 345	Needle	0		●	●	●		
33	133.110	74 01 522 343	Differential Spider	1		●	●	●		
34	298.510	74 20 580 182	Differential thrust washers kit	1		●	●	●		
35	154.265	74 01 522 353	Sleeve	1		●	●	●		
36		74 01 522 355	Thrust washer	1		●	●	●		
37		74 00 914 480	Seeger ring	1		●	●	●		
38	154.266	74 01 522 354	Block sleeve	1		●	●	●		
39		74 01 069 372	Fork	1		●	●	●		
40	141.286	74 01 523 087	Sliding pad	2		●	●	●		
41		74 01 523 084	Spring	1		●	●	●		
42		74 00 964 845	Pin	1		●	●	●		
43		74 00 907 822	Cotter pin	1		●	●	●		
44		74 03 152 043	Pin	1		●	●	●		
45		74 03 197 873	Sensor	1		●	●	●		
46		74 03 152 163	Union	1		●	●	●		
47		74 20 545 488	Diaphragm seat	1		●	●	●		
48		74 03 152 042	Spring	1		●	●	●		
49		74 03 152 044	Sleeve	1		●	●	●		
50		74 03 152 046	Diaphragm	1		●	●	●		
51		74 20 706 809	Cover	1		●	●	●		
52	287.031	74 00 984 735	Screw	4		●	●	●		
53		74 03 191 862	Drive shaft	1		●	●	●		
53		74 03 191 866	Drive shaft	1				●		
54		74 03 191 863	Drive shaft	1		●	●			

P1361 - PMR2661
PMR3361

Date

12/2015

Notes

(1) To be coupled together

(2) To be coupled together

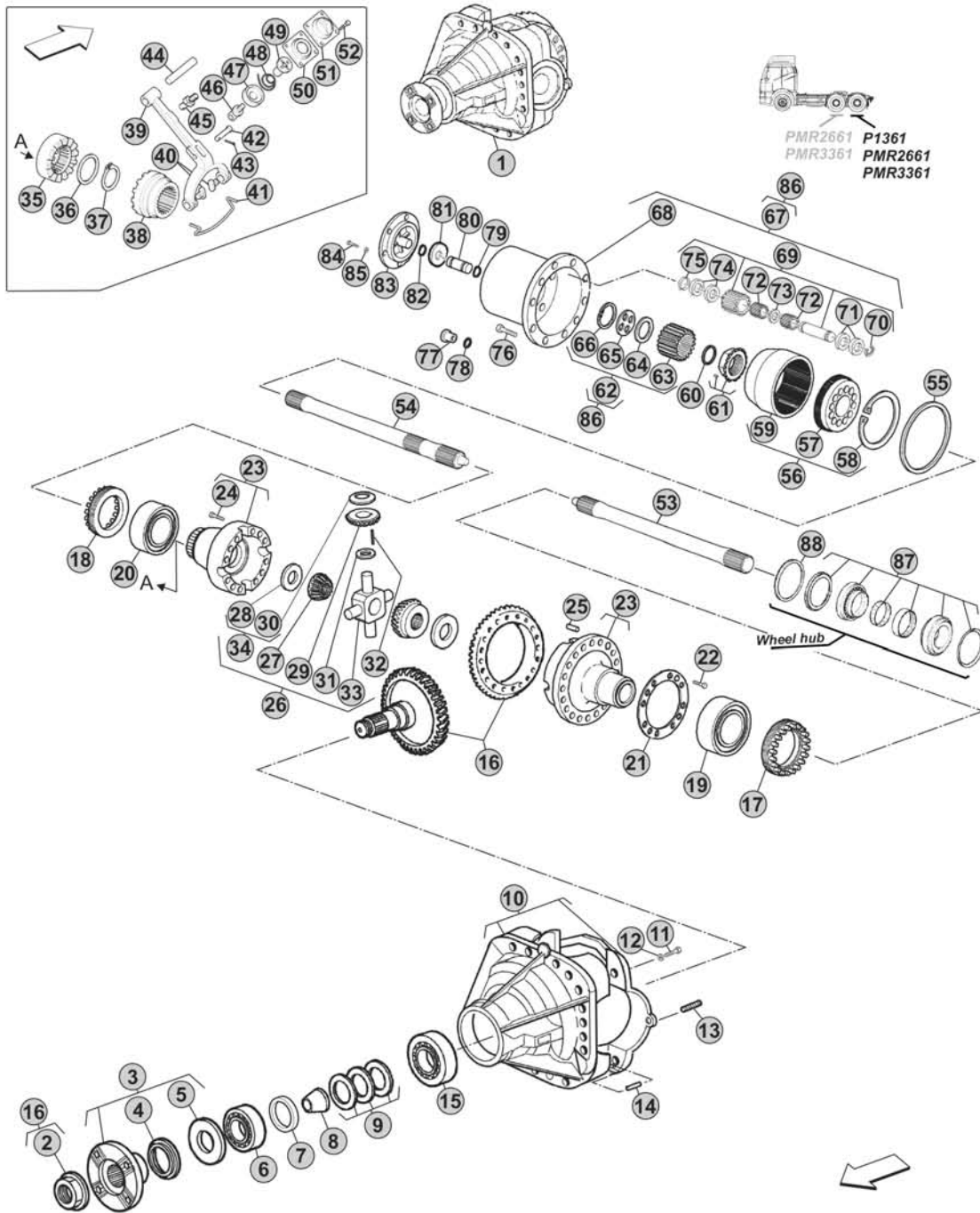
(3) To be coupled together

VERSIONS:

- REAR P1361
- REAR PMR2661
- REAR PMR3361

APPLICATIONS:

- PREMIUM (P1361 - PMR2661)
- KERAX



Notes

Our spare parts are not the originals but interchangeable with the originals ones. All original equipment manufacturers' numbers, pictures and models used in this catalogue are for reference only. Our products bear our trade-mark.

Fig.	CEI no.	RENAULT no.	Description	Q.ty	Notes	P1361	PMR2661	PMR3361
54		74 03 191 867	Drive shaft	1				●
55		74 00 982 108	O-Ring	1		●	●	●
56	123.340	56 00 707 662	Wheel reduction gear crown	1	R.3,33	●		●
56	123.341	56 00 707 663	Wheel reduction gear crown	1	R.3,46	●	●	●
57	150.279	74 21 188 557	Gear crown support	1	R.3,33	●		●
57	150.278	74 21 188 558	Gear crown support	1	R.3,46	●	●	●
58	111.409	74 01 522 392	Seeger ring	1		●	●	●
59	123.342	74 21 188 559	Wheel reduction gear crown	1	R.3,33	●		●
59	123.260	74 01 522 380	Wheel reduction gear crown	1	R.3,46	●	●	●
60	139.928	74 01 522 373	Oil Seal	1		●	●	●
61		74 21 302 577	Nut	1		●	●	●
62	157.253	74 21 302 575	Wheel reduction gear sun gear	1	R.3,33	●		●
62	157.252	74 21 302 576	Wheel reduction gear sun gear	1	R.3,46	●	●	●
63	157.254	74 21 188 560	Wheel reduction gear sun gear	1	R.3,33	●		●
63	157.255	74 21 249 925	Wheel reduction gear sun gear	1	R.3,46	●	●	●
64		74 01 673 500	Thrust washer	2		●	●	●
65	169.988	74 01 522 393	Spacer	1		●	●	●
66	111.283	74 00 914 532	Seeger ring	1		●	●	●
67	298.511	74 21 302 561	Wheel hub support assy	1	R.3,33	●		●
67	298.512	74 21 302 562	Wheel hub support assy	1	R.3,46	●		●
67	298.513	74 21 302 557	Wheel hub support assy	1	R.3,33		●	
67	298.514	74 21 302 558	Wheel hub support assy	1	R.3,46		●	
68	175.283	74 03 191 853	Wheel hub support	1	R.3,33	●	●	●
68	175.284	74 03 191 854	Wheel hub support	1	R.3,46	●	●	●
69	298.515	74 21 302 578	Wheel reduction side pinion kit	1	R.3,33	●	●	●
69	298.516	74 21 302 579	Wheel reduction side pinion kit	1	R.3,46	●	●	●
70	111.404	74 00 914 463	Retainer ring	3		●	●	●
71	169.779	74 08 171 165	Thrust washer	6		●	●	●
72	171.086	74 01 522 387	Needle	0		●	●	●
73	269.706	74 01 522 388	Spacer	3		●	●	●
74	169.780	74 08 171 167	Thrust washer	6		●	●	●
75	111.398	74 00 949 721	O-Ring	3		●	●	●
76		74 00 959 238	Screw	2		●	●	●
77		74 00 981 281	Plug	1		●	●	●
78		74 00 949 329	Gasket	1		●	●	●
79		74 00 967 581	Ring	1		●	●	●
80		74 01 523 115	Pin	1		●	●	●
80		74 01 523 116	Pin	1		●	●	●
81		74 01 069 375	Magnet	1		●	●	●
82		74 00 955 891	Thrust washer	0		●	●	●
83	128.359	74 03 192 819	Cover	1		●	●	●
84		74 00 994 445	Screw	6		●	●	●
85		74 00 994 893	Washer	6		●	●	●

P1361 - PMR2661
PMR3361

Date

Notes

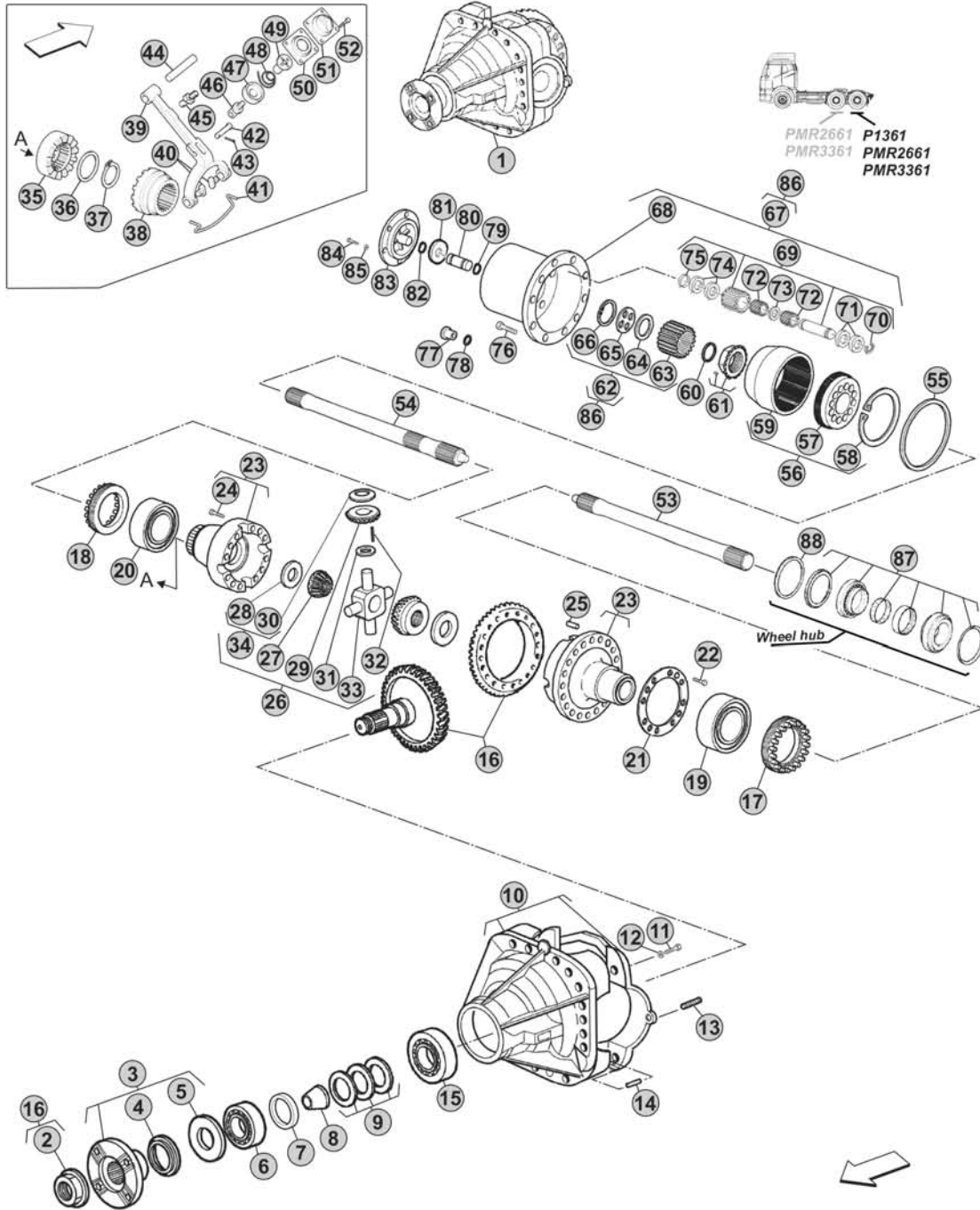
12/2015

VERSIONS:

- REAR P1361
- REAR PMR2661
- REAR PMR3361

APPLICATIONS:

- PREMIUM (P1361 - PMR2661)
- KERAX



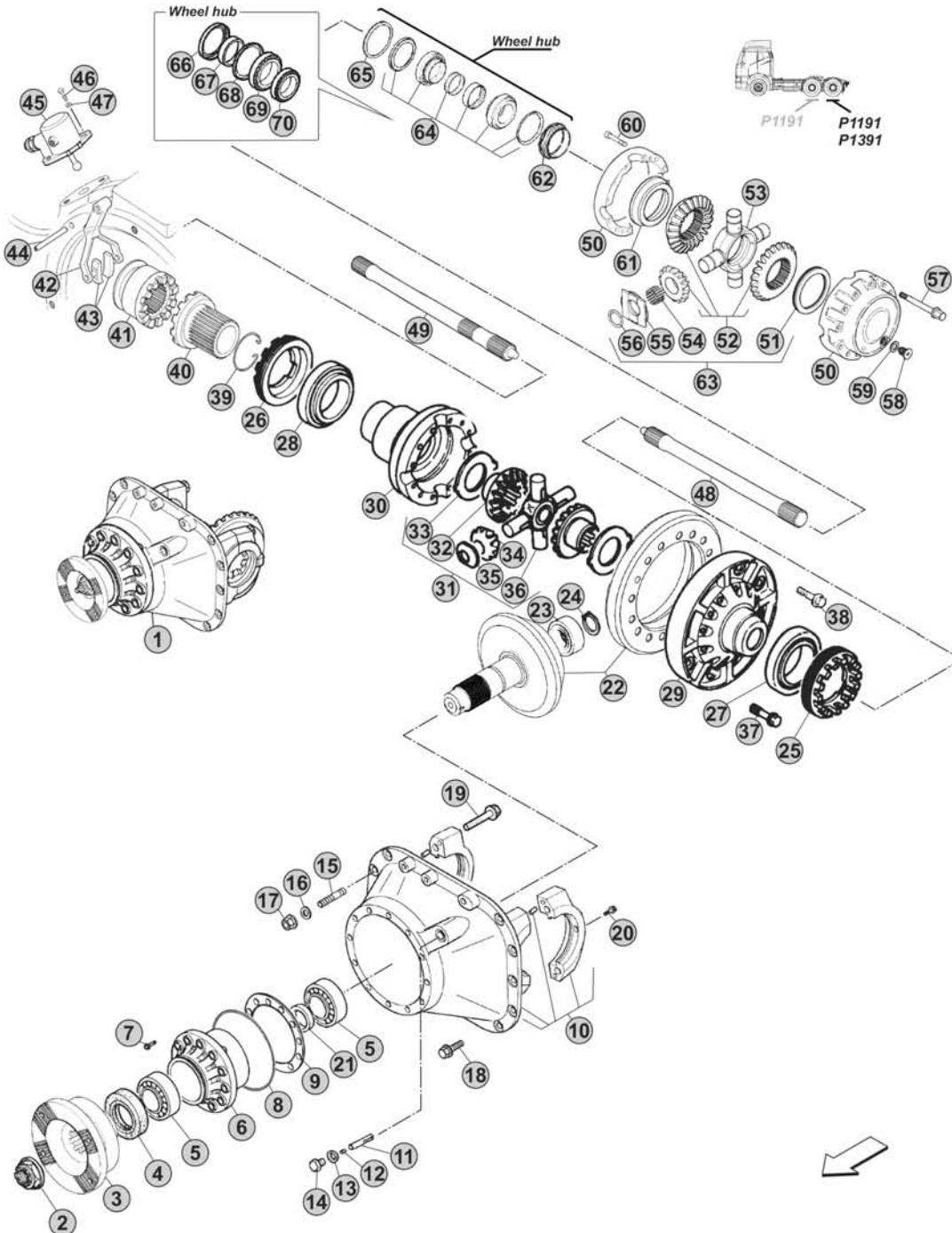
Notes

VERSIONS:

- REAR P1191
- REAR P1391

APPLICATIONS:

- MIDLUM (P1191)
- PREMIUM



Our spare parts are not the originals but interchangeable with the originals ones. All original equipment manufacturers' numbers, pictures and models used in this catalogue are for reference only. Our products bear our trade-mark.

Notes

Our spare parts are not the originals but interchangeable with the originals ones. All original equipment manufacturers' numbers, pictures and models used in this catalogue are for reference only. Our products bear our trade-mark.

Fig.	CEI no.	RENAULT no.	Description	Q.ty	Notes	P1191	P1391			
1		74 20 975 292	Differential rear Assy 25x37 R.1,48	1	100 Km/h	●	●			
1		74 21 007 213	Differential rear Assy 24x37 R.1,54	1	96 Km/h	●	●			
1		74 21 007 216	Differential rear Assy 23x37 R.1,61	1	92 Km/h	●	●			
1		74 21 007 273	Differential rear Assy 22x37 R.1,68	1	88 Km/h	●	●			
1		74 21 003 918	Differential rear Assy 21x37 R.1,76	1	84 Km/h	●	●			
1		74 21 003 924	Differential rear Assy 20x37 R.1,85	1	80 Km/h	●	●			
1		74 21 003 929	Differential rear Assy 19x37 R.1,95	1	76 Km/h	●	●			
1		74 21 003 933	Differential rear Assy 17x35 R.2,06	1	72 Km/h	●	●			
1		74 21 003 934	Differential rear Assy 17x37 R.2,18	1	68 Km/h	●	●			
1		74 21 004 200	Differential rear Assy 16x37 R.2,31	1	64 Km/h	●	●			
1		74 21 005 334	Differential rear Assy 17x41 R.2,41	1	61 Km/h	●	●			
1		74 21 005 337	Differential rear Assy 16x41 R.2,56	1	(6) 58 km/h	●	●			
1		74 21 008 849	Differential rear Assy 16x41 R.2,56	1	(5) 58 km/h	●				
1		74 21 007 087	Differential rear Assy 14x38 R.2,71	1	55 Km/h	●	●			
1		74 21 007 094	Differential rear Assy 14x41 R.2,93	1	(6) 51 Km/h	●	●			
1		74 21 008 860	Differential rear Assy 14x41 R.2,93	1	(5) 51 Km/h	●				
1		74 21 007 096	Differential rear Assy 13x41 R.3,15	1	(6) 47 Km/h	●	●			
1		74 21 008 870	Differential rear Assy 13x41 R.3,15	1	(5) 47 Km/h	●				
2	287.007	50 10 534 648	Nut	1		●	●			
3	197.146	50 10 241 998	Flange	1	(6)	●	●			
3	197.151	50 10 319 588	Flange	1	(5)	●				
4	139.758	50 10 534 863	Oil Seal	1		●	●			
5	130.745	50 00 682 795	Bearing	2		●	●			
6	175.334	50 10 534 804	Bearings cage	1		●	●			
7		50 10 534 992	Screw	11		●	●			
8		50 10 571 203	O-Ring	1		●	●			
9		50 10 534 317	Thrust washer mm. 0,25	0		●	●			
9		50 10 534 318	Thrust washer mm. 0,30	0		●	●			
9		50 10 534 319	Thrust washer mm. 0,40	0		●	●			
9		50 10 534 320	Thrust washer mm. 0,50	0		●	●			
9		50 10 534 321	Thrust washer mm. 0,60	0		●	●			
9		50 10 534 322	Thrust washer mm. 0,70	0		●	●			
9		50 10 534 323	Thrust washer mm. 1,00	0		●	●			
10		74 20 898 802	Differential support housing	1		●	●			
11		50 00 654 092	Oil Tube	1		●	●			
12		00 00 188 148	Spring	1		●	●			
13		00 21 323 045	Gasket	1		●	●			
14		50 00 671 460	Plug	1		●	●			
15		74 20 898 844	Stud	8		●	●			
16		00 00 141 014	Washer	8		●	●			
17		50 03 032 265	Nut	8		●	●			
18		74 20 898 839	Screw	8		●	●			
19		50 10 534 647	Screw	4		●	●			

Date

12/2015

Notes(6) Not for Midlum applications
(5) Only for Midlum applications

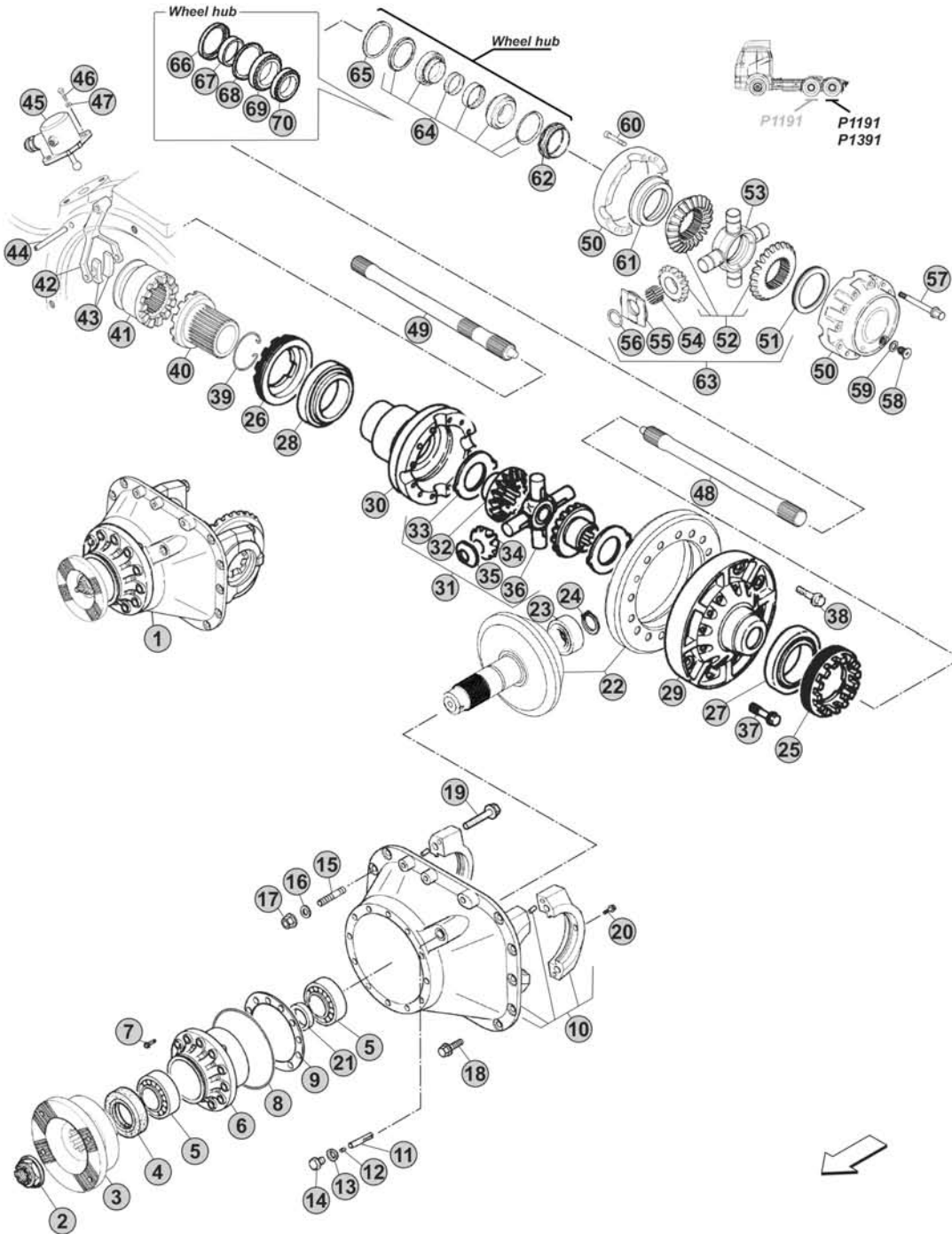
P1191 - P1391

VERSIONS:

- REAR P1191
- REAR P1391

APPLICATIONS:

- MIDLUM (P1191)
- PREMIUM



Notes

[Blank area for notes]

Our spare parts are not the originals but interchangeable with the originals ones. All original equipment manufacturers' numbers, pictures and models used in this catalogue are for reference only. Our products bear our trade-mark.

Fig.	CEI no.	RENAULT no.	Description	Q.ty	Notes	P1191	P1391			
20	187.730	50 00 695 135	Screw	2		●	●			
21	269.334	50 00 664 148	Spacer mm. 15,10	0		●	●			
21	269.335	50 00 664 149	Spacer mm. 15,60	0		●	●			
21		50 00 664 150	Spacer mm. 16,00	0		●	●			
22	194.999	56 00 664 970	Crown & Pinion 25x37 R.1,48	1	(1) 100 Km/h	●	●			
22	294.001	56 00 664 969	Crown & Pinion 24x37 R.1,54	1	(1) 96 Km/h	●	●			
22	294.002	56 00 664 968	Crown & Pinion 23x37 R.1,61	1	(1) 92 Km/h	●	●			
22	294.003	56 00 664 967	Crown & Pinion 22x37 R.1,68	1	(1) 88 Km/h	●	●			
22	294.004	56 00 664 966	Crown & Pinion 21x37 R.1,76	1	(1) 84 Km/h	●	●			
22	294.005	56 00 664 965	Crown & Pinion 20x37 R.1,85	1	(2) 80 Km/h	●	●			
22	294.006	56 00 664 964	Crown & Pinion 19x37 R.1,95	1	(2) 76 Km/h	●	●			
22	294.007	56 00 664 963	Crown & Pinion 17x35 R.2,06	1	(2) 72 Km/h	●	●			
22	294.008	56 00 664 962	Crown & Pinion 17x37 R.2,18	1	(3) 68 Km/h	●	●			
22	294.009	56 00 664 961	Crown & Pinion 16x37 R.2,31	1	(3) 64 Km/h	●	●			
22	294.010	56 00 664 960	Crown & Pinion 17x41 R.2,41	1	(3) 61 Km/h	●	●			
22	294.011	56 00 664 959	Crown & Pinion 16x41 R.2,56	1	(3) 58 km/h	●	●			
22	294.012	56 00 664 958	Crown & Pinion 14x38 R.2,71	1	(4) 55 Km/h	●	●			
22	294.013	56 00 664 957	Crown & Pinion 14x41 R.2,93	1	(4) 51 Km/h	●	●			
22	294.014	56 00 664 956	Crown & Pinion 13x41 R.3,15	1	(4) 47 Km/h	●	●			
23	130.759	50 10 534 823	Bearing	1		●	●			
24	111.268	74 00 914 465	Seeger ring	1		●	●			
25	287.008	50 10 534 307	Grooved nut	1		●	●			
26	287.010	50 10 534 384	Grooved nut	1		●	●			
27	130.762	74 21 265 585	Bearing	1	(2-3-4)	●	●			
27	130.761	00 23 336 044	Bearing	1	(1)	●	●			
28	130.822	50 10 241 096	Bearing	1	Premium brand	●	●			
28	530.822	50 10 241 096	Bearing	1	Aftermarket	●	●			
29	175.337	50 10 534 355	Differential half housing	1	(1)	●	●			
29	175.336	50 10 534 354	Differential half housing	1	(2)	●	●			
29	175.335	50 10 534 353	Differential half housing	1	(3)	●	●			
29	175.338	50 10 534 352	Differential half housing	1	(4)	●	●			
30	175.339	50 10 534 357	Differential half housing	1	(1-2)	●	●			
30	175.306	50 10 534 113	Differential half housing	1	(3-4)	●	●			
31	298.079	50 01 865 510	Differential kit	1		●	●			
32	122.174	50 10 443 927	Differential side gear	2		●	●			
33	269.018	50 00 671 226	Side gear thrust washer	2		●	●			
34	182.112	50 10 534 637	Differential side pinion	4		●	●			
35	269.017	50 10 534 114	Side pinion thrust washer	4		●	●			
36	133.158	50 00 675 792	Differential Spider	1		●	●			
37	287.009	50 10 534 364	Screw	12		●	●			
38	187.727	50 00 671 332	Screw	16		●	●			
39	111.408	50 00 671 227	Seeger ring	1		●	●			
40	154.401	50 00 671 457	Sleeve	1		●	●			

Date

12/2015

Notes

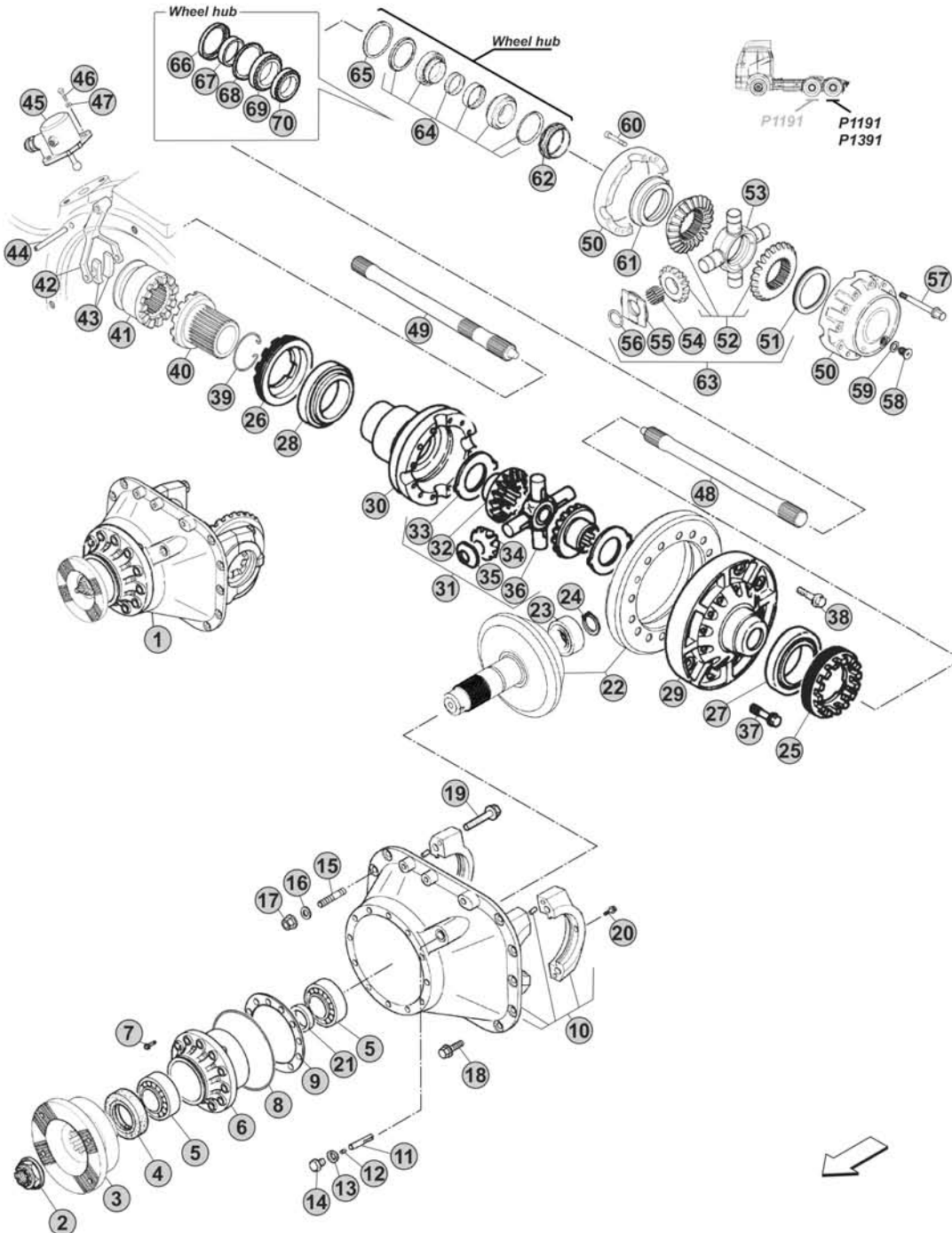
- (1) To be coupled together
- (2) To be coupled together
- (3) To be coupled together
- (4) To be coupled together

VERSIONS:

- REAR P1191
- REAR P1391

APPLICATIONS:

- MIDLUM (P1191)
- PREMIUM



Notes

[Empty box for notes]

Our spare parts are not the originals but interchangeable with the originals ones. All original equipment manufacturers' numbers, pictures and models used in this catalogue are for reference only. Our products bear our trade-mark.

Fig.	CEI no.	RENAULT no.	Description	Q.ty	Notes	P1395	PMR2695	PMR3395
1		74 20 975 292	Differential rear Assy 25x37 R.1,48	1	100 Km/h	●	●	●
1		74 21 007 213	Differential rear Assy 24x37 R.1,54	1	96 Km/h	●	●	●
1		74 21 007 216	Differential rear Assy 23x37 R.1,61	1	92 Km/h	●	●	●
1		74 21 007 273	Differential rear Assy 22x37 R.1,68	1	88 Km/h	●	●	●
1		74 21 003 918	Differential rear Assy 21x37 R.1,76	1	84 Km/h	●	●	●
1		74 21 003 924	Differential rear Assy 20x37 R.1,85	1	80 Km/h	●	●	●
1		74 21 003 929	Differential rear Assy 19x37 R.1,95	1	76 Km/h	●	●	●
1		74 21 003 933	Differential rear Assy 17x35 R.2,06	1	72 Km/h	●	●	●
1		74 21 003 934	Differential rear Assy 17x37 R.2,18	1	68 Km/h	●	●	●
1		74 21 004 200	Differential rear Assy 16x37 R.2,31	1	64 Km/h	●	●	●
1		74 21 005 334	Differential rear Assy 17x41 R.2,41	1	61 Km/h	●	●	●
1		74 21 005 337	Differential rear Assy 16x41 R.2,56	1	58 km/h	●	●	●
1		74 21 007 087	Differential rear Assy 14x38 R.2,71	1	55 Km/h	●	●	●
1		74 21 007 094	Differential rear Assy 14x41 R.2,93	1	51 Km/h	●	●	●
1		74 21 007 096	Differential rear Assy 13x41 R.3,15	1	47 Km/h	●	●	●
2	287.007	50 10 534 648	Nut	1		●	●	●
3	197.146	50 10 241 998	Flange	1		●	●	●
4	139.758	50 10 534 863	Oil Seal	1		●	●	●
5	130.745	50 00 682 795	Bearing	2		●	●	●
6	<i>175.334</i>	50 10 534 804	Bearings cage	1		●	●	●
7		50 10 534 992	Screw	11		●	●	●
8		50 10 571 203	O-Ring	1		●	●	●
9		50 10 534 317	Thrust washer mm. 0,25	0		●	●	●
9		50 10 534 318	Thrust washer mm. 0,30	0		●	●	●
9		50 10 534 319	Thrust washer mm. 0,40	0		●	●	●
9		50 10 534 320	Thrust washer mm. 0,50	0		●	●	●
9		50 10 534 321	Thrust washer mm. 0,60	0		●	●	●
9		50 10 534 322	Thrust washer mm. 0,70	0		●	●	●
9		50 10 534 323	Thrust washer mm. 1,00	0		●	●	●
10		74 20 898 802	Differential support housing	1		●	●	●
11		50 00 654 092	Oil Tube	1		●	●	●
12		00 00 188 148	Spring	1		●	●	●
13		00 21 323 045	Gasket	1		●	●	●
14		50 00 671 460	Plug	1		●	●	●
15		74 20 898 844	Stud	8		●	●	●
16		00 00 141 014	Washer	8		●	●	●
17		50 03 032 265	Nut	8		●	●	●
18		74 20 898 839	Screw	8		●	●	●
19		50 10 534 647	Screw	4		●	●	●
20	187.730	50 00 695 135	Screw	2		●	●	●
21	<i>269.334</i>	50 00 664 148	Spacer mm. 15,10	0		●	●	●
21	<i>269.335</i>	50 00 664 149	Spacer mm. 15,60	0		●	●	●
21		50 00 664 150	Spacer mm. 16,00	0		●	●	●

Date

12/2015

Notes

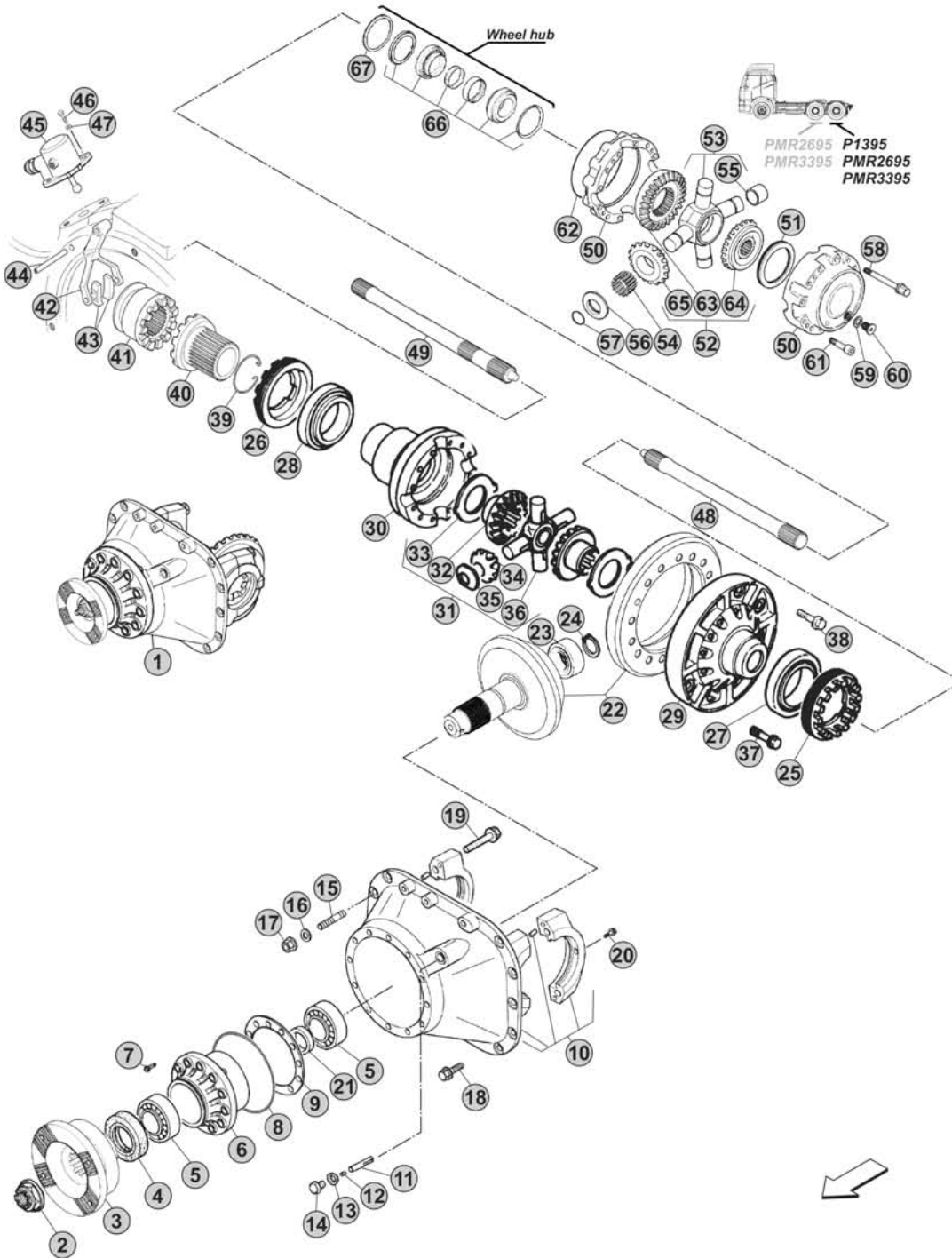
P1395 - PMR2695
PMR3395

VERSIONS:

- REAR P1395
- REAR PMR2695
- REAR PMR3395

APPLICATIONS:

- PREMIUM (P1395)
- MAGNUM (P1395)
- KERAX



Notes

Our spare parts are not the originals but interchangeable with the originals ones. All original equipment manufacturers' numbers, pictures and models used in this catalogue are for reference only. Our products bear our trade-mark.

Fig.	CEI no.	RENAULT no.	Description	Q.ty	Notes	P1395	PMR2695	PMR3395
22	194.999	56 00 664 970	Crown & Pinion 25x37 R.1,48	1	(1) 100 Km/h	●	●	●
22	294.001	56 00 664 969	Crown & Pinion 24x37 R.1,54	1	(1) 96 Km/h	●	●	●
22	294.002	56 00 664 968	Crown & Pinion 23x37 R.1,61	1	(1) 92 Km/h	●	●	●
22	294.003	56 00 664 967	Crown & Pinion 22x37 R.1,68	1	(1) 88 Km/h	●	●	●
22	294.004	56 00 664 966	Crown & Pinion 21x37 R.1,76	1	(1) 84 Km/h	●	●	●
22	294.005	56 00 664 965	Crown & Pinion 20x37 R.1,85	1	(2) 80 Km/h	●	●	●
22	294.006	56 00 664 964	Crown & Pinion 19x37 R.1,95	1	(2) 76 Km/h	●	●	●
22	294.007	56 00 664 963	Crown & Pinion 17x35 R.2,06	1	(2) 72 Km/h	●	●	●
22	294.008	56 00 664 962	Crown & Pinion 17x37 R.2,18	1	(3) 68 Km/h	●	●	●
22	294.009	56 00 664 961	Crown & Pinion 16x37 R.2,31	1	(3) 64 Km/h	●	●	●
22	294.010	56 00 664 960	Crown & Pinion 17x41 R.2,41	1	(3) 61 Km/h	●	●	●
22	294.011	56 00 664 959	Crown & Pinion 16x41 R.2,56	1	(3) 58 km/h	●	●	●
22	294.012	56 00 664 958	Crown & Pinion 14x38 R.2,71	1	(4) 55 Km/h	●	●	●
22	294.013	56 00 664 957	Crown & Pinion 14x41 R.2,93	1	(4) 51 Km/h	●	●	●
22	294.014	56 00 664 956	Crown & Pinion 13x41 R.3,15	1	(4) 47 Km/h	●	●	●
23	130.759	50 10 534 823	Bearing	1		●	●	●
24	111.268	74 00 914 465	Seeger ring	1		●	●	●
25	287.008	50 10 534 307	Grooved nut	1		●	●	●
26	287.010	50 10 534 384	Grooved nut	1		●	●	●
27	130.762	74 21 265 585	Bearing	1	(2-3-4)	●	●	●
27	130.761	00 23 336 044	Bearing	1	(1)	●	●	●
28	130.822	50 10 241 096	Bearing	1	Premium brand	●	●	●
28	530.822	50 10 241 096	Bearing	1	Aftermarket	●	●	●
29	175.337	50 10 534 355	Differential half housing	1	(1)	●	●	●
29	175.336	50 10 534 354	Differential half housing	1	(2)	●	●	●
29	175.335	50 10 534 353	Differential half housing	1	(3)	●	●	●
29	175.338	50 10 534 352	Differential half housing	1	(4)	●	●	●
30	175.339	50 10 534 357	Differential half housing	1	(1-2)	●	●	●
30	175.306	50 10 534 113	Differential half housing	1	(3-4)	●	●	●
31	298.079	50 01 865 510	Differential kit	1		●	●	●
32	122.174	50 10 443 927	Differential side gear	2		●	●	●
33	269.018	50 00 671 226	Side gear thrust washer	2		●	●	●
34	182.112	50 10 534 637	Differential side pinion	4		●	●	●
35	269.017	50 10 534 114	Side pinion thrust washer	4		●	●	●
36	133.158	50 00 675 792	Differential Spider	1		●	●	●
37	287.009	50 10 534 364	Screw	12		●	●	●
38	187.727	50 00 671 332	Screw	16		●	●	●
39	111.408	50 00 671 227	Seeger ring	1		●	●	●
40	154.401	50 00 671 457	Sleeve	1		●	●	●
41	154.249	50 10 443 227	Block sleeve	1		●	●	●
42		50 10 443 191	Fork	1		●	●	●
43	141.285	50 10 611 038	Sliding pad	2		●	●	●
44		50 10 377 305	Pin	1		●	●	●

 P1395 - PMR2695
PMR3395
Date

12/2015

Notes

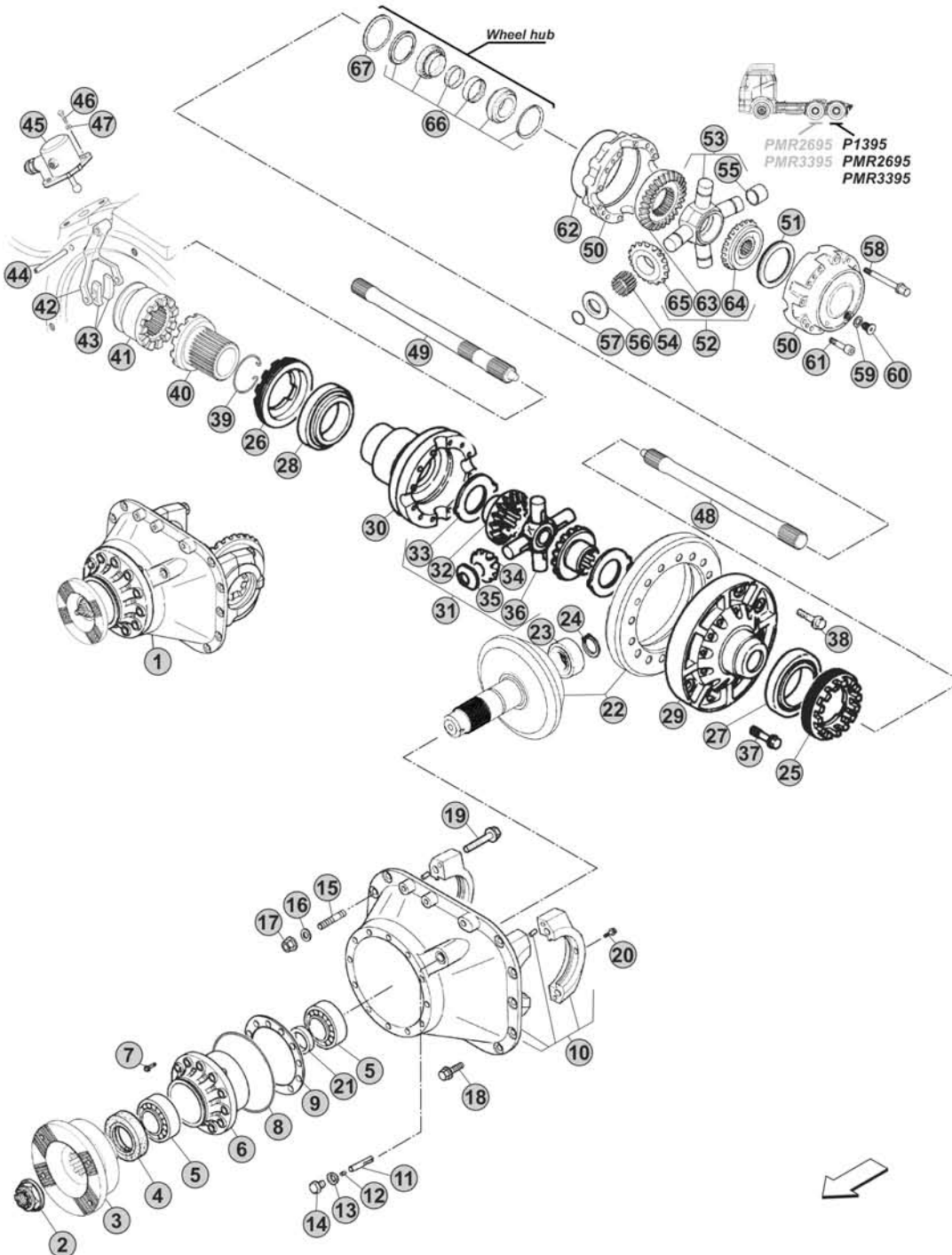
- (1) To be coupled together
 (2) To be coupled together
 (3) To be coupled together
 (4) To be coupled together

VERSIONS:

- REAR P1395
- REAR PMR2695
- REAR PMR3395

APPLICATIONS:

- PREMIUM (P1395)
- MAGNUM (P1395)
- KERAX



Notes



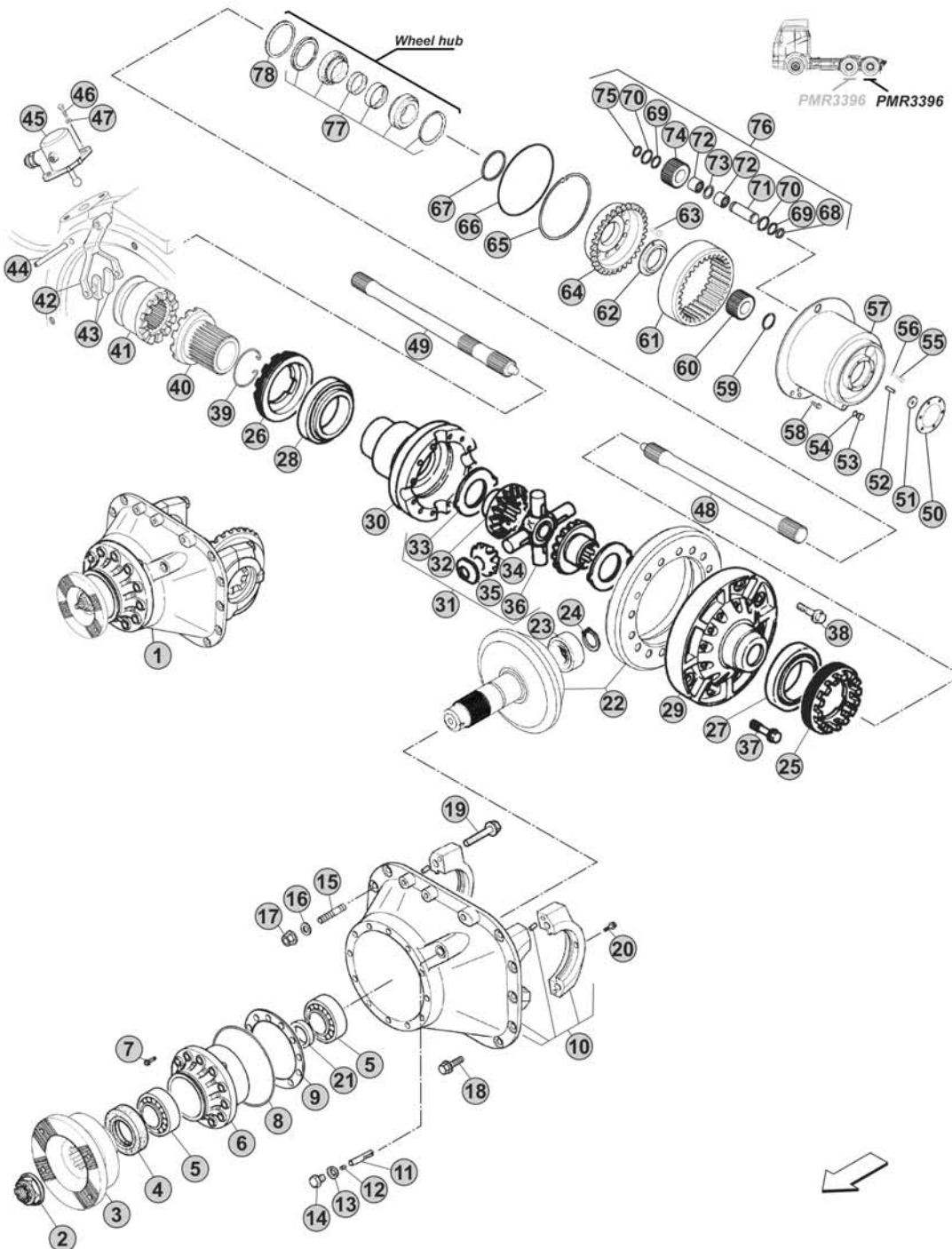
Our spare parts are not the originals but interchangeable with the originals ones. All original equipment manufacturers' numbers, pictures and models used in this catalogue are for reference only. Our products bear our trade-mark.

VERSIONS:

- REAR PMR3396

APPLICATIONS:

- KERAX



Notes

Our spare parts are not the originals but interchangeable with the originals ones. All original equipment manufacturers' numbers, pictures and models used in this catalogue are for reference only. Our products bear our trade-mark.

Fig.	CEI no.	RENAULT no.	Description	Q.ty	Notes	PMR3396				
1		74 21 007 273	Differential rear Assy 22x37 R.1,68	1	100 Km/h	●				
1		74 21 003 924	Differential rear Assy 20x37 R.1,85	1	91 Km/h	●				
1		74 21 003 933	Differential rear Assy 17x35 R.2,06	1	82 Km/h	●				
2	287.007	50 10 534 648	Nut	1		●				
3	197.146	50 10 241 998	Flange	1		●				
4	139.758	50 10 534 863	Oil Seal	1		●				
5	130.745	50 00 682 795	Bearing	2		●				
6	175.334	50 10 534 804	Bearings cage	1		●				
7		50 10 534 992	Screw	11		●				
8		50 10 571 203	O-Ring	1		●				
9		50 10 534 317	Thrust washer mm. 0,25	0		●				
9		50 10 534 318	Thrust washer mm. 0,30	0		●				
9		50 10 534 319	Thrust washer mm. 0,40	0		●				
9		50 10 534 320	Thrust washer mm. 0,50	0		●				
9		50 10 534 321	Thrust washer mm. 0,60	0		●				
9		50 10 534 322	Thrust washer mm. 0,70	0		●				
9		50 10 534 323	Thrust washer mm. 1,00	0		●				
10		74 20 898 802	Differential support housing	1		●				
11		50 00 654 092	Oil Tube	1		●				
12		00 00 188 148	Spring	1		●				
13		00 21 323 045	Gasket	1		●				
14		50 00 671 460	Plug	1		●				
15		74 20 898 844	Stud	8		●				
16		00 00 141 014	Washer	8		●				
17		50 03 032 265	Nut	8		●				
18		74 20 898 839	Screw	8		●				
19		50 10 534 647	Screw	4		●				
20	187.730	50 00 695 135	Screw	2		●				
21	269.334	50 00 664 148	Spacer mm. 15,10	0		●				
21	269.335	50 00 664 149	Spacer mm. 15,60	0		●				
21		50 00 664 150	Spacer mm. 16,00	0		●				
22	294.003	56 00 664 967	Crown & Pinion 22x37 R.1,68	1	(1) 100 Km/h	●				
22	294.005	56 00 664 965	Crown & Pinion 20x37 R.1,85	1	(2) 91 Km/h	●				
22	294.007	56 00 664 963	Crown & Pinion 17x35 R.2,06	1	(2) 82 Km/h	●				
23	130.759	50 10 534 823	Bearing	1		●				
24	111.268	74 00 914 465	Seeger ring	1		●				
25	287.008	50 10 534 307	Grooved nut	1		●				
26	287.010	50 10 534 384	Grooved nut	1		●				
27	130.762	74 21 265 585	Bearing	1	(2)	●				
27	130.761	00 23 336 044	Bearing	1	(1)	●				
28	130.822	50 10 241 096	Bearing	1	Premium brand	●				
28	530.822	50 10 241 096	Bearing	1	Aftermarket	●				
29	175.337	50 10 534 355	Differential half housing	1	(1)	●				

Date

12/2015

Notes(1) To be coupled together
(2) To be coupled together

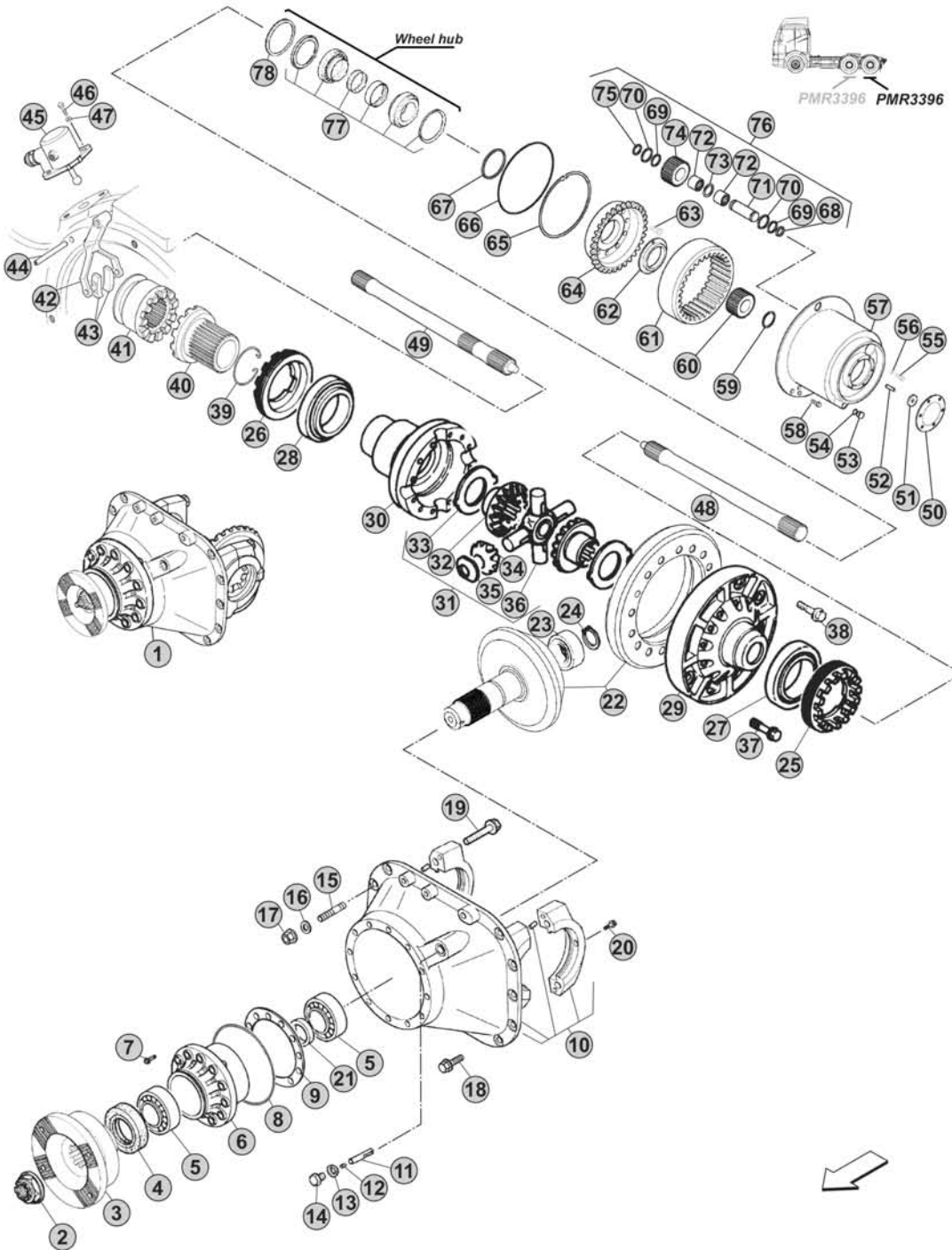
PMR3396

VERSIONS:

- REAR PMR3396

APPLICATIONS:

- KERAX



Our spare parts are not the originals but interchangeable with the originals ones. All original equipment manufacturers' numbers, pictures and models used in this catalogue are for reference only. Our products bear our trade-mark.

Notes



Our spare parts are not the originals but interchangeable with the originals ones. All original equipment manufacturers' numbers, pictures and models used in this catalogue are for reference only. Our products bear our trade-mark.

Fig.	CEI no.	RENAULT no.	Description	Q.ty	Notes	PMR3396				
29	175.336	50 10 534 354	Differential half housing	1	(2)	●				
30	175.339	50 10 534 357	Differential half housing	1	(1-2)	●				
31	298.079	50 01 865 510	Differential kit	1		●				
32	122.174	50 10 443 927	Differential side gear	2		●				
33	269.018	50 00 671 226	Side gear thrust washer	2		●				
34	182.112	50 10 534 637	Differential side pinion	4		●				
35	269.017	50 10 534 114	Side pinion thrust washer	4		●				
36	133.158	50 00 675 792	Differential Spider	1		●				
37	287.009	50 10 534 364	Screw	12		●				
38	187.727	50 00 671 332	Screw	16		●				
39	111.408	50 00 671 227	Seeger ring	1		●				
40	154.401	50 00 671 457	Sleeve	1		●				
41	154.249	50 10 443 227	Block sleeve	1		●				
42		50 10 443 191	Fork	1		●				
43	141.285	50 10 611 038	Sliding pad	2		●				
44		50 10 377 305	Pin	1		●				
45		50 10 534 924	Differential lock control	1		●				
46		50 03 101 674	Screw	1		●				
47		50 03 058 081	Washer	1		●				
48		50 10 534 879	Drive shaft	1		●				
49		50 10 534 878	Drive shaft	1		●				
50		74 20 862 828	Cover	1		●				
51		74 20 862 940	Magnet	1		●				
52		74 20 862 853	Pin	1		●				
53		74 00 981 281	Plug	1		●				
54		74 00 957 187	Gasket	1		●				
55		74 00 994 445	Screw	3		●				
56	167.011	50 03 057 041	Washer	3		●				
57	175.284	74 03 191 854	Wheel hub support	1		●				
58		74 00 959 238	Screw	2		●				
59		74 20 862 842	Spacer mm. 1,00	0		●				
59		74 20 862 843	Spacer mm. 1,50	0		●				
59		74 20 862 844	Spacer mm. 2,00	0		●				
59		74 20 862 845	Spacer mm. 2,50	0		●				
59		74 20 862 846	Spacer mm. 3,00	0		●				
59		74 20 862 847	Spacer mm. 3,50	0		●				
59		74 20 862 848	Spacer mm. 4,00	0		●				
59		74 20 862 849	Spacer mm. 4,50	0		●				
59		74 20 862 850	Spacer mm. 5,00	0		●				
60	157.686	74 01 522 382	Wheel reduction gear sun gear	1	(3)	●				
60	157.252	74 21 302 576	Wheel reduction gear sun gear	1	(4)	●				
61	123.260	74 01 522 380	Wheel reduction gear crown	1		●				
62	187.772	74 20 480 077	Grooved nut	2		●				

Date

12/2015

Notes

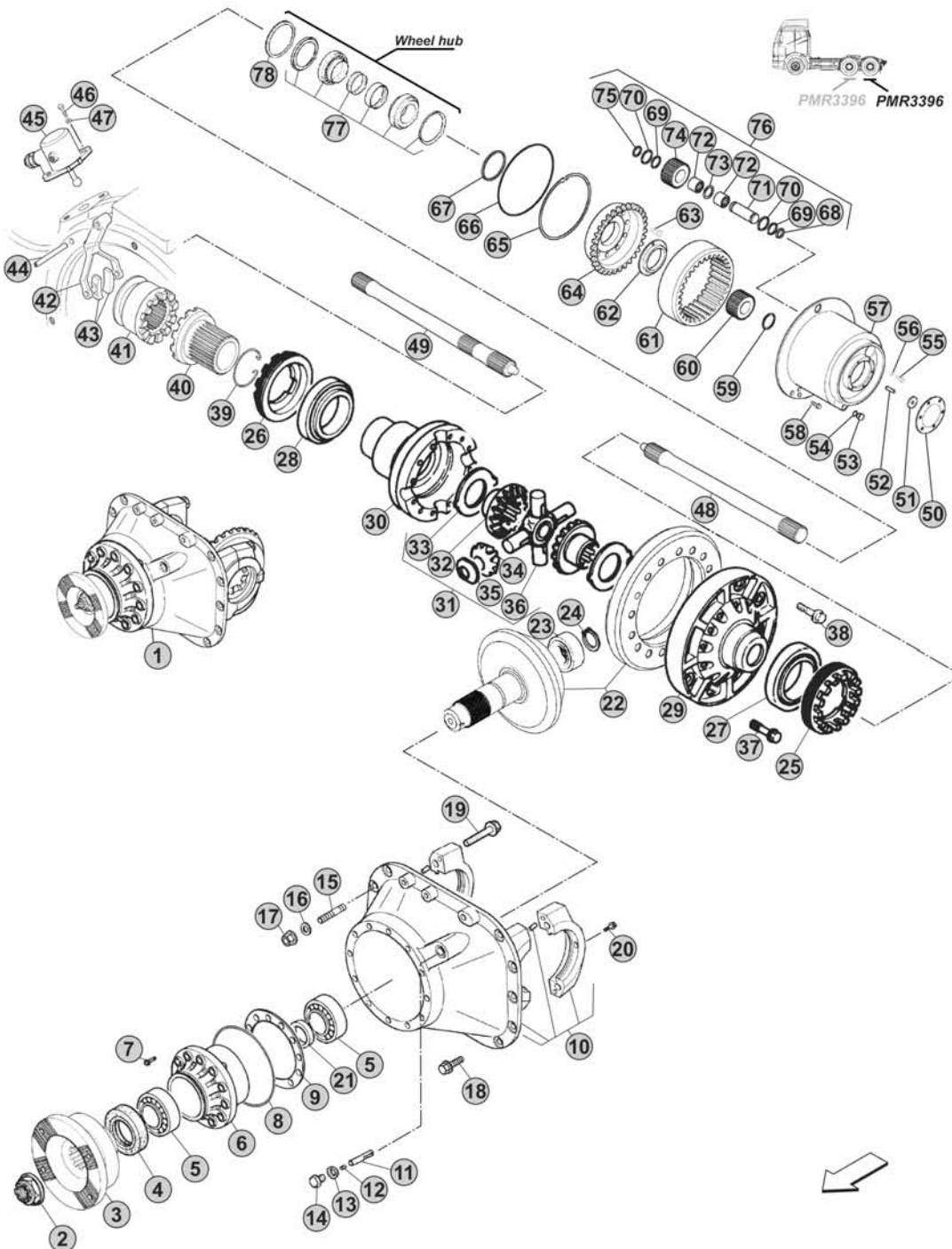
- (2) To be coupled together
 (1) To be coupled together
 (3) To be coupled together
 (4) To be coupled together

VERSIONS:

- REAR PMR3396

APPLICATIONS:

- KERAX



Our spare parts are not the originals but interchangeable with the originals ones. All original equipment manufacturers' numbers, pictures and models used in this catalogue are for reference only. Our products bear our trade-mark.

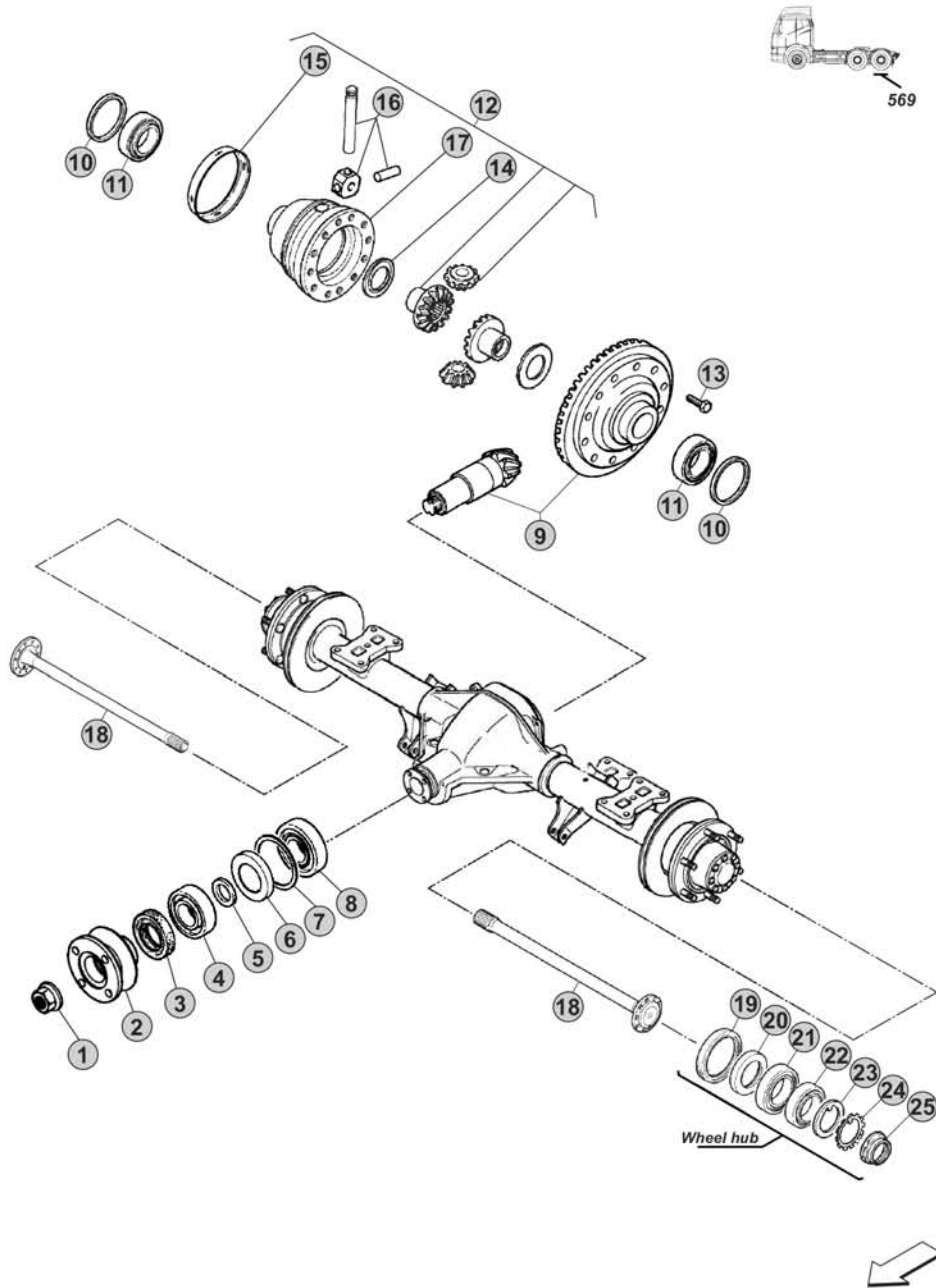
Notes

VERSIONS:

- REAR 569

APPLICATIONS:

- B Series
- MASCOTT



Notes

Our spare parts are not the originals but interchangeable with the originals ones. All original equipment manufacturers' numbers, pictures and models used in this catalogue are for reference only. Our products bear our trade-mark.

Fig.	CEI no.	RENAULT no.	Description	Q.ty	Notes	569				
1	187.777	50 00 671 174	Nut	1		●				
2	135.270	50 10 439 593	Flange	1		●				
3	139.994	50 00 786 509	Oil Seal	1		●				
4	130.092	50 10 241 918	Bearing	1		●				
5	111.418	50 00 671 175	Spacer mm. 4,39	0		●				
5	111.422	50 00 671 176	Spacer mm. 4,79	0		●				
5	111.423	50 00 671 177	Spacer mm. 5,19	0		●				
5	111.424	50 00 671 178	Spacer mm. 5,59	0		●				
5	111.419	50 00 671 179	Spacer mm. 6,00	0		●				
6	269.842	50 00 671 184	Spacer	1		●				
7	111.485	50 00 671 180	Thrust washer mm. 0,49	0		●				
7	111.486	50 00 671 181	Thrust washer mm. 0,53	0		●				
7	111.487	50 00 671 182	Thrust washer mm. 0,56	0		●				
7	111.488	50 00 671 183	Thrust washer mm. 0,60	0		●				
8	130.925	50 10 241 920	Bearing	1		●				
9	294.089	50 10 534 249	Crown & Pinion 13x41 R.3,15	1	100 Km/h	●				
9	194.589	50 10 319 179	Crown & Pinion 11x39 R.3,55	1	89 Km/h	●				
9	194.590	50 10 319 177	Crown & Pinion 10x39 R.3,90	1	81 Km/h	●				
9	294.238	50 10 319 175	Crown & Pinion 9x39 R.4,33	1	73 Km/h	●				
9	294.239	50 10 319 173	Crown & Pinion 8x39 R.4,88	1	65 Km/h	●				
9	194.591	50 10 319 171	Crown & Pinion 8x41 R.5,13	1	62 Km/h	●				
9	194.592	50 10 319 169	Crown & Pinion 7x41 R.5,86	1	54 Km/h	●				
10	269.777	50 00 685 383	Spacer mm. 7,29	0		●				
10	269.778	50 00 685 384	Spacer mm. 7,49	0		●				
10	269.779	50 00 685 385	Spacer mm. 7,69	0		●				
10	269.780	50 00 685 386	Spacer mm. 7,89	0		●				
10	269.781	50 00 685 387	Spacer mm. 8,30	0		●				
11	130.926	50 10 241 750	Bearing	2		●				
12	199.280	50 10 545 855	Differential housing assy	1		●				
13	187.752	50 03 101 161	Screw	12		●				
14	269.359	50 01 866 586	Side gear thrust washer	2		●				
15	128.235	50 00 685 436	Cover	1		●				
16	133.234	50 00 685 751	Differential Spider	1		●				
17	175.390	50 00 685 434	Differential half housing	1		●				
18	170.327	50 10 319 451	Drive shaft	2		●				
19		50 10 319 684	Oil Seal	1		●				
20		50 00 685 896	Boot	1		●				
21	130.546	50 00 392 237	Bearing	1		●				
22	130.994	50 00 392 236	Bearing	1		●				
23		50 00 685 239	Washer	1		●				
24		50 00 392 553	Washer	1		●				
25	187.556	50 10 372 353	Grooved nut	1		●				

Date

12/2015

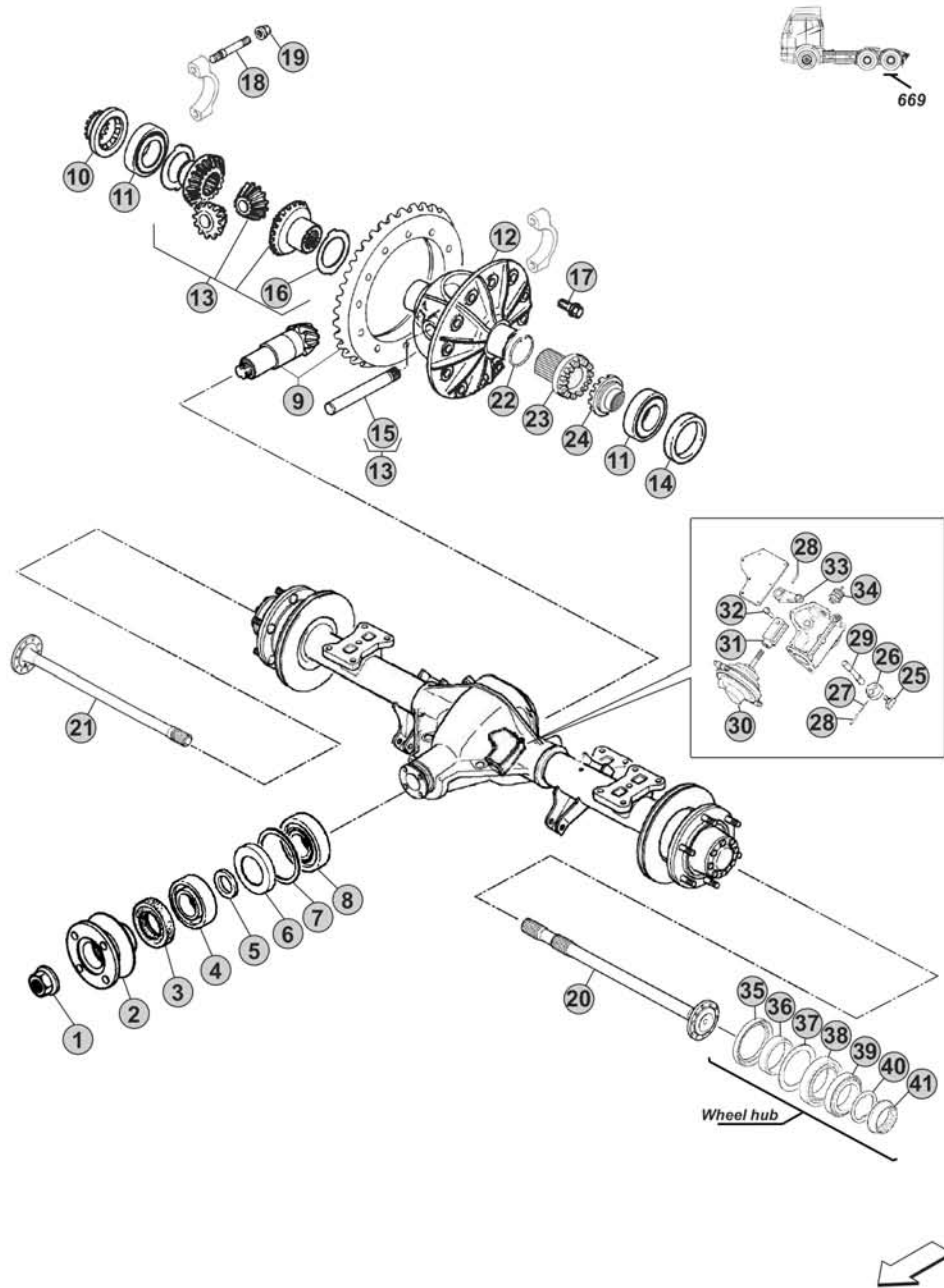
Notes

VERSIONS:

- REAR 669

APPLICATIONS:

- B Series
- MIDLINER
- MASCOTT
- MIDLUM



Notes

Our spare parts are not the originals but interchangeable with the originals ones. All original equipment manufacturers' numbers, pictures and models used in this catalogue are for reference only. Our products bear our trade-mark.

Fig.	CEI no.	RENAULT no.	Description	Q.ty	Notes	669				
1	287.123	50 00 664 437	Nut	1		●				
2	135.271	50 10 439 595	Flange	1		●				
3	139.996	50 00 664 438	Oil Seal	1		●				
4	130.464	50 00 682 885	Bearing	1		●				
5	111.489	50 00 664 924	Spacer mm. 4,89	0		●				
5	111.490	50 00 664 925	Spacer mm. 5,29	0		●				
5	111.491	50 00 664 926	Spacer mm. 5,69	0		●				
5	111.492	50 00 664 927	Spacer mm. 6,09	0		●				
5	111.493	50 00 664 928	Spacer mm. 6,40	0		●				
6	269.843	50 00 671 170	Spacer	1		●				
7	111.494	50 00 671 045	Spacer mm. 4,29	0		●				
7	111.495	50 00 671 046	Spacer mm. 4,69	0		●				
7	111.496	50 00 671 047	Spacer mm. 5,09	0		●				
7	111.497	50 00 671 048	Spacer mm. 5,49	0		●				
7	111.498	50 00 671 049	Spacer mm. 5,90	0		●				
8	130.465	50 03 090 028	Bearing	1		●				
9	294.254	50 00 682 787	Crown & Pinion 14x41 R.2,93	1	(2) 100 Km/h	●				
9	294.255	50 00 664 396	Crown & Pinion 13x41 R.3,15	1	(2) 93 Km/h	●				
9	294.256	50 00 664 944	Crown & Pinion 11x38 R.3,45	1	(2) 85 Km/h	●				
9	294.257	50 00 682 781	Crown & Pinion 10x37 R.3,70	1	(2) 79 Km/h	●				
9	294.321	50 00 664 917	Crown & Pinion 11x41 R.3,73	1	(2) 79 Km/h	●				
9	294.258	50 00 664 387	Crown & Pinion 10x41 R.4,10	1	(2) 71 Km/h	●				
9	294.259	50 00 664 452	Crown & Pinion 9x41 R.4,56	1	(1) 64 Km/h	●				
9	294.260	50 10 545 840	Crown & Pinion 8x41 R.5,13	1	(1) 57 Km/h	●				
9	294.261	50 00 664 446	Crown & Pinion 7x41 R.5,86	1	(1) 50 Km/h	●				
10	287.124	50 00 664 434	Nut	1		●				
11	130.142	50 10 443 768	Bearing	2		●				
12	199.142	50 00 671 863	Differential housing	1	(1)	●				
12	199.152	50 00 671 864	Differential housing	1	(2)	●				
13	298.441	50 01 836 962	Differential kit	1		●				
14	111.499	50 00 664 459	Spacer mm. 16,29	0		●				
14	111.500	50 00 664 933	Spacer mm. 16,69	0		●				
14	111.501	50 00 664 934	Spacer mm. 17,09	0		●				
14	111.502	50 00 664 935	Spacer mm. 17,49	0		●				
14	111.503	50 00 664 936	Spacer mm. 18,00	0		●				
15	107.292	50 00 664 463	Differential spider pin	1		●				
16	269.908	74 21 090 079	Side gear thrust washer	2		●				
17		50 00 664 402	Screw	12		●				
18		50 00 675 500	Stud	4		●				
19		50 00 682 064	Nut	4		●				
20	170.337	50 10 319 437	Drive shaft	1	(3) With Lock	●				
20		50 00 671 247	Drive shaft	1	(4) W/out Lock	●				
20		50 00 675 301	Drive shaft	1	(4) With Lock	●				

Date

12/2015

Notes

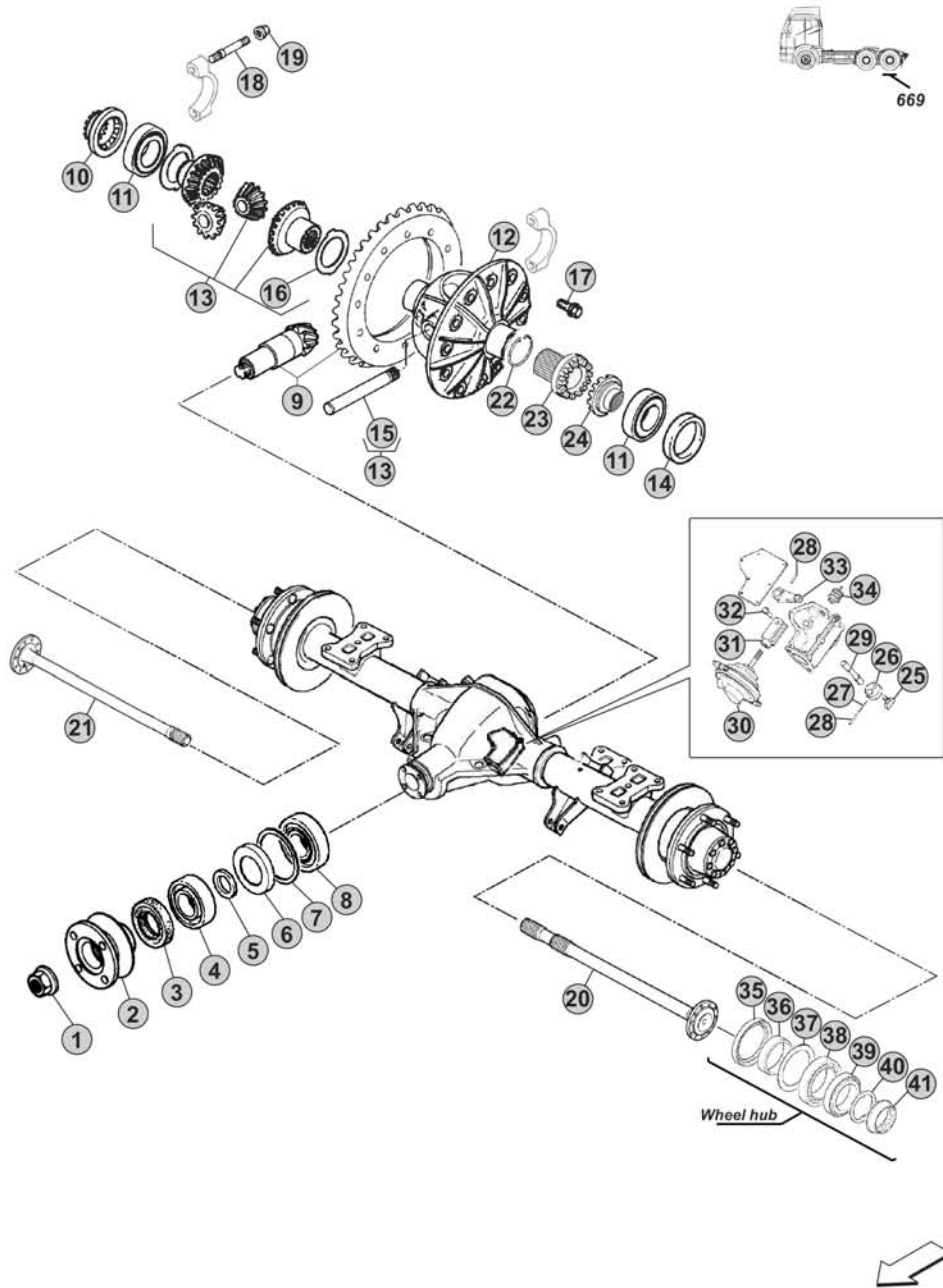
- (2) To be coupled together
 (1) To be coupled together
 (3) For Mascott applications
 (4) For B Series applications

VERSIONS:

- REAR 669

APPLICATIONS:

- B Series
- MIDLINER
- MASCOTT
- MIDLUM



Notes

Our spare parts are not the originals but interchangeable with the originals ones. All original equipment manufacturers' numbers, pictures and models used in this catalogue are for reference only. Our products bear our trade-mark.

Fig.	CEI no.	RENAULT no.	Description	Q.ty	Notes	669			
20		50 00 671 280	Drive shaft	1	(5) W/out Lock	●			
20		50 00 671 870	Drive shaft	1	(5) With Lock	●			
20		50 10 241 137	Drive shaft	1	(5) W/out Lock	●			
20		50 10 241 138	Drive shaft	1	(5) With Lock	●			
20		50 10 319 654	Drive shaft	1	(5) W/out Lock	●			
20		50 10 319 655	Drive shaft	1	(5) With Lock	●			
20		50 00 671 073	Drive shaft	1	(5) W/out Lock	●			
20		50 10 319 750	Drive shaft	1	(6) W/out Lock	●			
21	170.336	50 10 319 436	Drive shaft	1	(3)	●			
21		50 00 671 247	Drive shaft	1	(4)	●			
21		50 00 671 280	Drive shaft	1	(5)	●			
21		50 10 241 137	Drive shaft	1	(5)	●			
21		50 10 319 654	Drive shaft	1	(5)	●			
21		50 00 671 073	Drive shaft	1	(5)	●			
21		50 10 319 750	Drive shaft	1	(6)	●			
22		50 00 671 979	Seeger ring	1		●			
23	154.248	50 00 671 865	Sleeve	1		●			
24	154.247	50 00 671 866	Block sleeve	1		●			
25	141.275	50 00 671 867	Slide	1		●			
26		50 00 671 868	Lever	1		●			
27		77 03 067 059	Cotter pin	2		●			
28		79 03 067 011	Spring	2		●			
29		50 10 241 636	Pin	1		●			
30		50 10 244 219	Actuator	1		●			
31		00 23 311 032	Fork	1		●			
32		50 03 050 113	Pin	1		●			
33		50 10 241 635	Lever	1		●			
34		50 10 306 372	Sensor	1		●			
35		74 21 723 304	Oil Seal	1	(7-9)	●			
35		50 10 319 684	Oil Seal	1	(8-9)	●			
36		50 00 685 701	Spacer	1	(7-9)	●			
36		50 10 319 587	Spacer	1	(8-9)	●			
37		50 00 685 909	Boot	1	(7-9)	●			
37		50 00 685 236	Boot	1	(8-9)	●			
38	130.142	50 10 443 768	Bearing	1	(7-9)	●			
38	130.221	50 00 685 959	Bearing	1	(8-9) Premium brand	●			
38	530.221	50 00 685 959	Bearing	1	(8-9) Aftermarket	●			
39		50 00 685 691	Bearing	1	(7-9)	●			
39	130.221	50 00 685 959	Bearing	1	(8-9) Premium brand	●			
39	530.221	50 00 685 959	Bearing	1	(8-9) Aftermarket	●			
40		50 00 671 468	Washer	1	(7-9)	●			
40		50 00 671 209	Washer	1	(8-9)	●			
41		50 00 671 464	Nut	1	(7-9)	●			

Date

12/2015

Notes

- (5) For Midliner applications
 (6) For Midlum applications
 (3) For Mascott applications
 (4) For B Series applications
 (7) To be coupled together

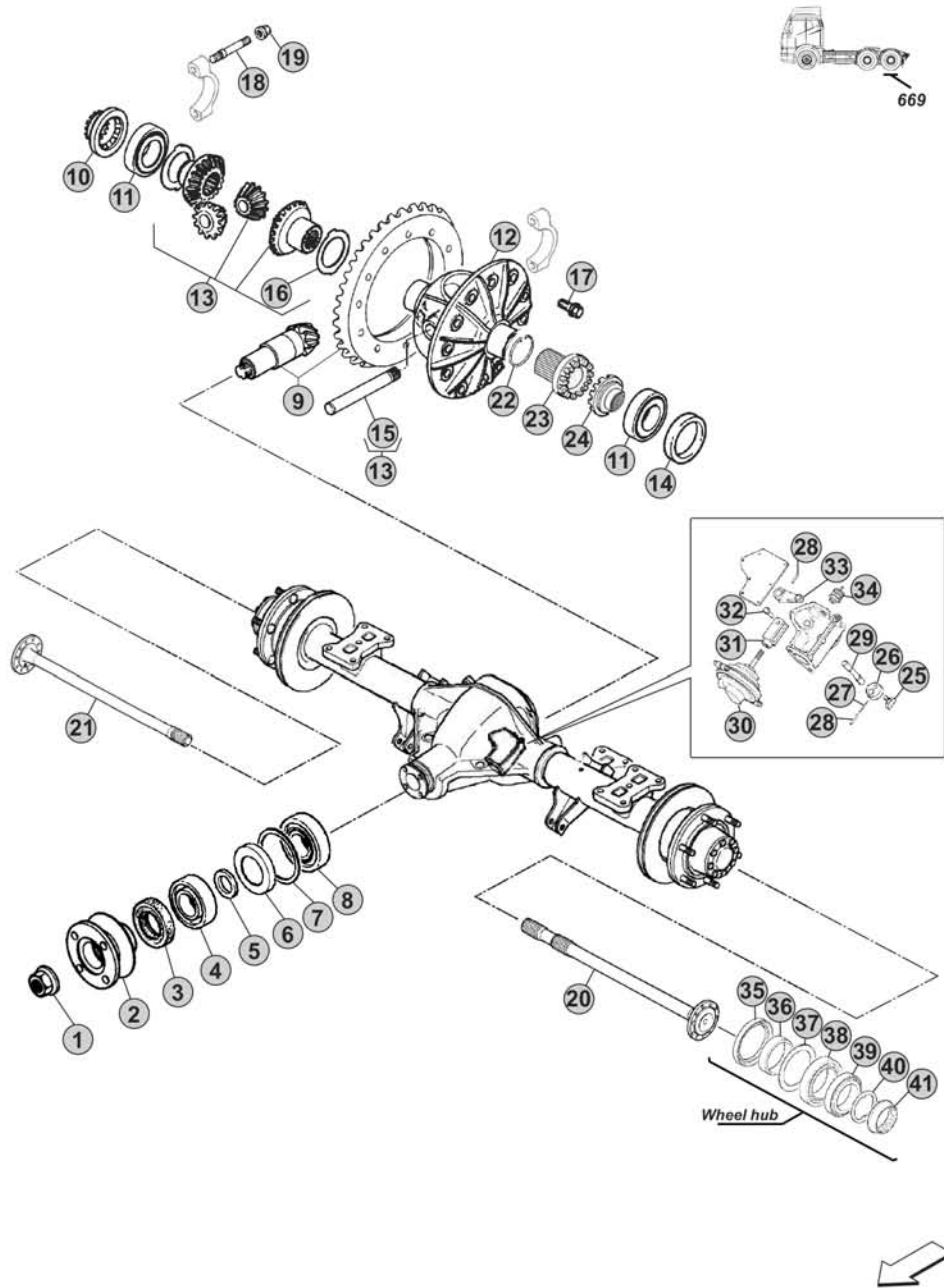
- (9) Not for B Series and Midliner applications
 (8) To be coupled together

VERSIONS:

- REAR 669

APPLICATIONS:

- B Series
- MIDLINER
- MASCOTT
- MIDLUM



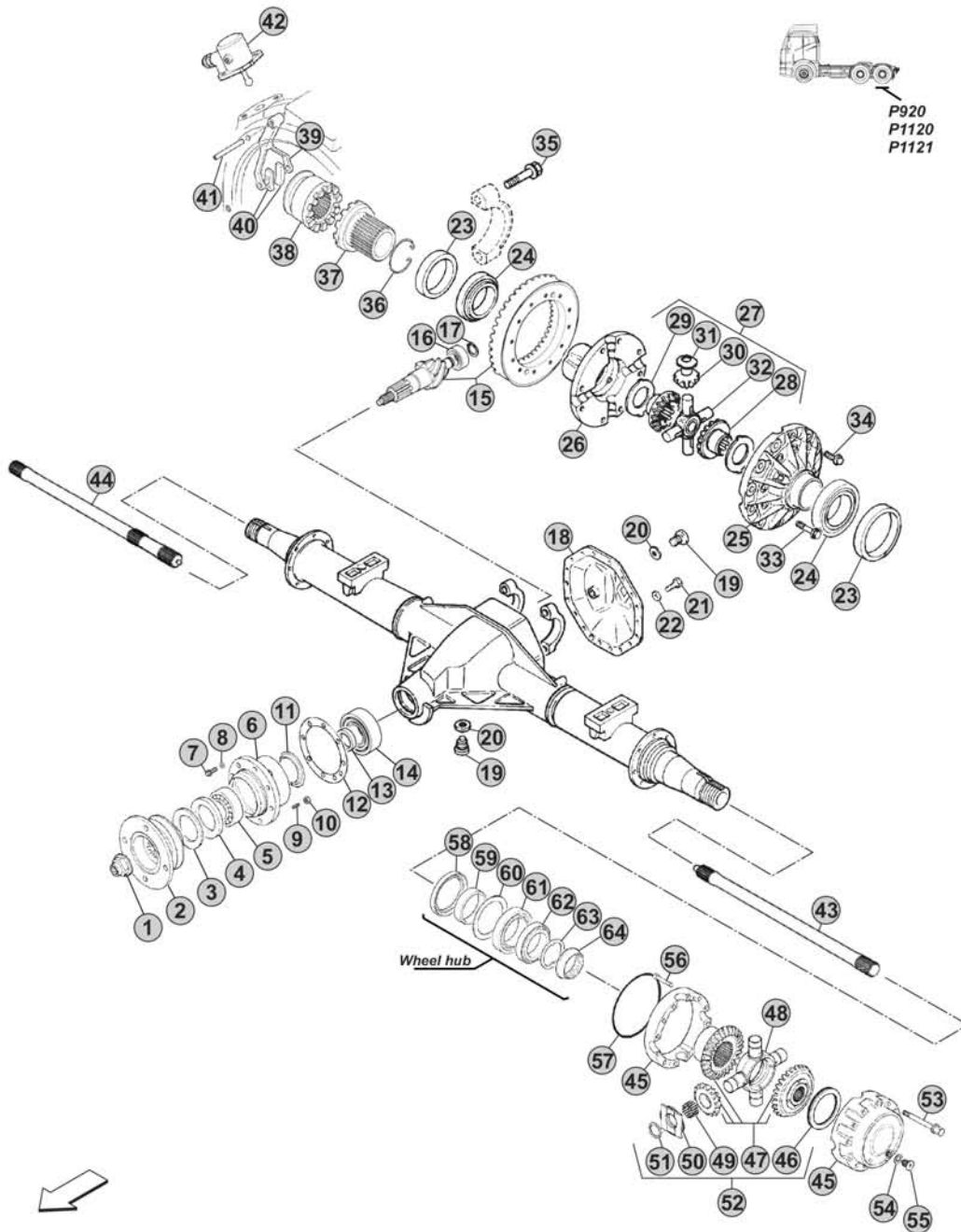
Notes

VERSIONS:

- REAR P920
- REAR P1120
- REAR P1121

APPLICATIONS:

- MIDLUM



Our spare parts are not the originals but interchangeable with the originals ones. All original equipment manufacturers' numbers, pictures and models used in this catalogue are for reference only. Our products bear our trade-mark.

Notes

[Empty grey box for notes]

Our spare parts are not the originals but interchangeable with the originals ones. All original equipment manufacturers' numbers, pictures and models used in this catalogue are for reference only. Our products bear our trade-mark.

Fig.	CEI no.	RENAULT no.	Description	Q.ty	Notes	P920	P1120	P1121
1	187.797	50 00 675 322	Nut	1		●	●	●
2	197.290	50 10 443 852	Flange	1		●	●	●
2	197.291	50 10 443 854	Flange	1		●	●	●
3	239.039	00 24 472 616	Oil Seal	1		●	●	●
4	239.040	50 00 786 985	Oil Seal	1		●	●	●
5	130.499	50 00 685 747	Bearing	1		●	●	●
6		50 00 654 779	Bearings cage	1	Type A	●		
6		50 10 443 634	Bearings cage	1	Type B	●	●	●
7		50 03 101 223	Screw	8		●	●	●
8		00 21 247 007	Washer	8		●	●	●
9		50 03 027 693	Stud	2		●	●	●
10		74 00 990 970	Nut	2		●	●	●
11		00 00 188 171	Oil Seal	1		●	●	●
12		50 10 241 463	Thrust washer mm. 0,25	0		●	●	●
12		00 00 194 516	Thrust washer mm. 0,30	0		●	●	●
12		00 00 194 517	Thrust washer mm. 0,40	0		●	●	●
12		00 00 194 518	Thrust washer mm. 0,50	0		●	●	●
12		50 10 241 464	Thrust washer mm. 0,60	0		●	●	●
12		00 00 194 519	Thrust washer mm. 0,70	0		●	●	●
12		00 00 194 520	Thrust washer mm. 0,90	0		●	●	●
12		00 00 194 521	Thrust washer mm. 1,00	0		●	●	●
13		56 00 665 059	Spacer	0		●	●	●
13		56 00 665 060	Spacer	0		●	●	●
13		56 00 665 061	Spacer	0		●	●	●
14	130.497	50 00 685 746	Bearing	1		●	●	●
15		50 10 241 600	Crown & Pinion 16x41 R.2,56	1	(4) Type A 100 Km/h	●		
15	294.324	50 10 443 678	Crown & Pinion 16x41 R.2,56	1	(4) Type B 100 Km/h	●	●	●
15		50 10 241 596	Crown & Pinion 15x41 R.2,73	1	(4) Type A 94 Km/h	●		
15	294.325	50 10 443 675	Crown & Pinion 15x41 R.2,73	1	(4) Type B 94 Km/h	●	●	●
15		50 10 241 594	Crown & Pinion 14x41 R.2,93	1	(3) Type A 88 Km/h	●		
15	294.326	50 10 443 672	Crown & Pinion 14x41 R.2,93	1	(3) Type B 88 Km/h	●	●	●
15		50 10 241 592	Crown & Pinion 13x41 R.3,15	1	(3) Type A 81 Km/h	●		
15	294.327	50 10 443 649	Crown & Pinion 13x41 R.3,15	1	(3) Type B 81 Km/h	●	●	●
15		50 10 241 588	Crown & Pinion 12x41 R.3,42	1	(3) Type A 75 Km/h	●		
15	294.064	56 00 637 153	Crown & Pinion 11x38 R.3,45	1	(3) Type B 74 Km/h	●	●	●
15	294.328	50 10 443 647	Crown & Pinion 10x37 R.3,70	1	(3) Type B 69 Km/h	●	●	●
15		50 10 241 586	Crown & Pinion 11x41 R.3,73	1	(3) Type A 69 Km/h	●		
15		50 10 241 582	Crown & Pinion 10x41 R.4,10	1	(2) Type A 63 Km/h	●		
15	294.263	50 10 443 646	Crown & Pinion 10x41 R.4,10	1	(2) Type B 63 Km/h	●	●	●
15		50 10 241 576	Crown & Pinion 9x41 R.4,56	1	(2) Type A 56 Km/h	●		
15	294.329	50 10 443 645	Crown & Pinion 9x41 R.4,56	1	(2) Type B 56 Km/h	●	●	●
15		50 10 241 570	Crown & Pinion 8x41 R.5,13	1	(1) Type A 50 Km/h	●		
16		00 23 334 008	Bearing	1	Type A	●		

 P920 - P1120
P1121
Date

12/2015

Notes

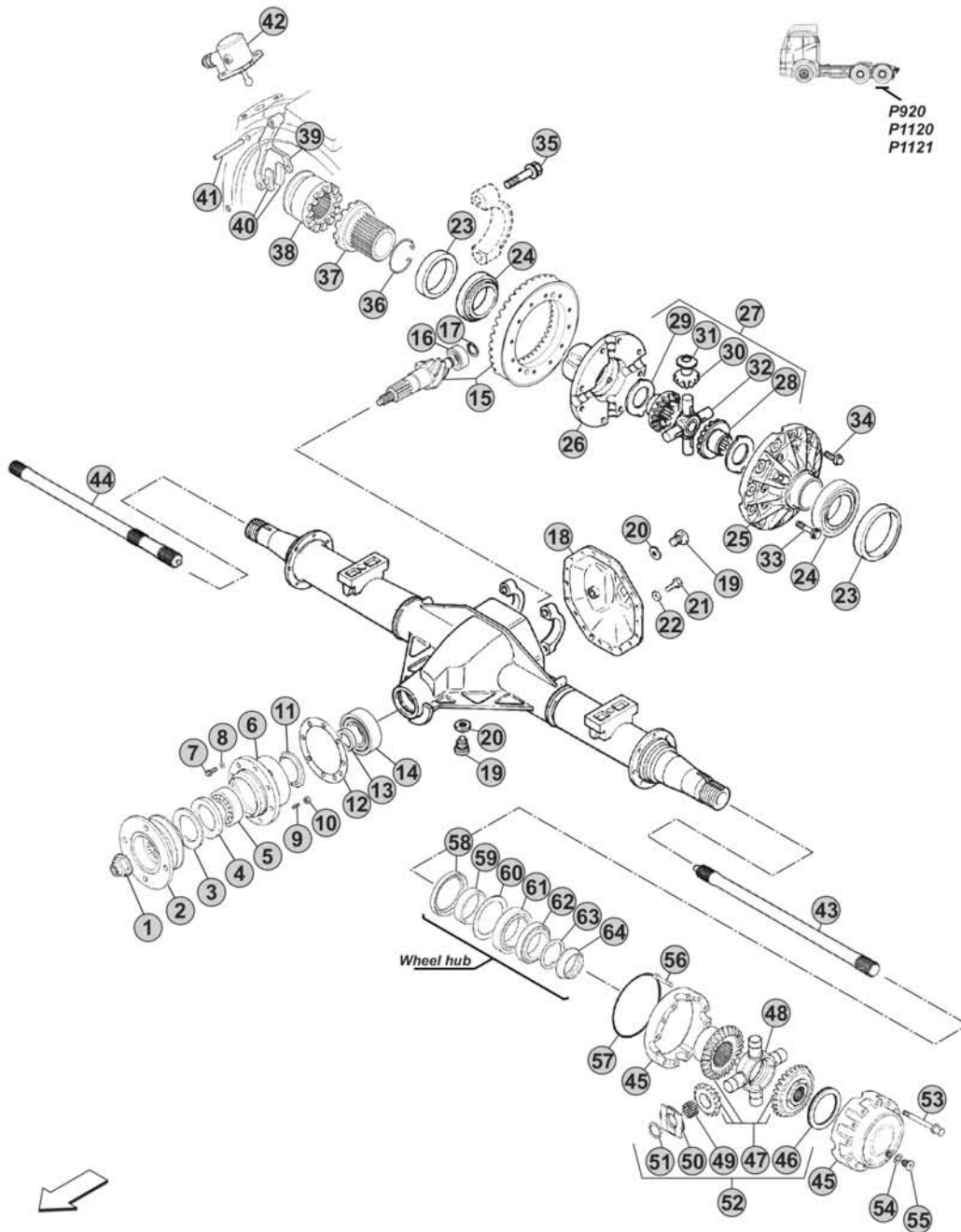
- (4) To be coupled together
 (3) To be coupled together
 (2) To be coupled together
 (1) To be coupled together

VERSIONS:

- REAR P920
- REAR P1120
- REAR P1121

APPLICATIONS:

- MIDLUM



Our spare parts are not the originals but interchangeable with the originals ones. All original equipment manufacturers' numbers, pictures and models used in this catalogue are for reference only. Our products bear our trade-mark.

Notes

Our spare parts are not the originals but interchangeable with the originals ones. All original equipment manufacturers' numbers, pictures and models used in this catalogue are for reference only. Our products bear our trade-mark.

Fig.	CEI no.	RENAULT no.	Description	Q.ty	Notes	P920	P1120	P1121
16	130.503	50 10 443 786	Bearing	1	Type B	●	●	●
17	111.517	74 00 914 462	Seeger ring	1		●	●	●
18		50 00 682 940	Cover	1		●	●	●
19		50 00 682 604	Plug	2		●	●	●
20		00 24 463 316	Gasket	2		●	●	●
21		74 20 883 958	Screw	18		●	●	●
22		50 03 053 184	Washer	18		●	●	●
23		50 00 671 957	Spacer mm. 19,00	0		●	●	●
23		50 00 671 958	Spacer mm. 20,00	0		●	●	●
23		50 00 671 959	Spacer mm. 21,00	0		●	●	●
23		50 00 671 960	Spacer mm. 22,00	0		●	●	●
23		50 00 671 961	Spacer mm. 23,00	0		●	●	●
23		50 00 671 962	Spacer mm. 24,00	0		●	●	●
23		50 00 671 963	Spacer mm. 25,00	0		●	●	●
24	130.498	50 10 534 999	Bearing	2		●	●	●
25		00 00 193 882	Differential half housing	1	(1-2-3) Type A	●		
25		00 00 193 883	Differential half housing	1	(4) Type A	●		
25	175.413	50 10 534 005	Differential half housing	1	(2-3) Type B	●	●	●
25	175.471	50 10 534 015	Differential half housing	1	(4) Type B	●	●	●
26		50 00 685 370	Differential half housing	1	(1) Type A	●		
26		50 00 685 371	Differential half housing	1	(2) Type A	●		
26		50 00 685 372	Differential half housing	1	(3) Type A	●		
26		50 00 685 373	Differential half housing	1	(4) Type A	●		
26	175.439	50 10 443 614	Differential half housing	1	(2) Type B	●	●	●
26	175.412	50 10 443 615	Differential half housing	1	(3) Type B	●	●	●
26	175.472	50 10 443 682	Differential half housing	1	(4) Type B	●	●	●
27		50 01 845 708	Differential kit	1	Type A	●		
27	298.044	50 01 857 599	Differential kit	1	(2-3) Type B	●	●	●
27	298.079	50 01 865 510	Differential kit	1	(4) Type B	●	●	●
28	122.174	50 10 443 927	Differential side gear	2	Type B	●	●	●
29	269.908	74 21 090 079	Side gear thrust washer	2	Type A	●		
29	269.018	50 00 671 226	Side gear thrust washer	2	Type B	●	●	●
30	182.112	50 10 534 637	Differential side pinion	4	Type B	●	●	●
31		00 00 193 869	Side pinion thrust washer	4	Type A	●		
31	269.017	50 10 534 114	Side pinion thrust washer	4	Type B	●	●	●
32		50 10 319 088	Differential Spider	1	Type A	●		
32	133.158	50 00 675 792	Differential Spider	1	Type B	●	●	●
33	187.746	50 00 682 326	Screw	8	Type A	●		
33	187.746	50 00 682 326	Screw	12	(2-3) Type B	●	●	●
33	187.819	50 00 685 433	Screw	8	(4) Type B	●	●	●
34		50 10 241 619	Screw	12	(1) Type A	●		
34		50 00 653 861	Screw	12	(2) Type A	●		
34		50 10 241 617	Screw	12	(3) Type A	●		

 P920 - P1120
P1121
Date

12/2015

Notes

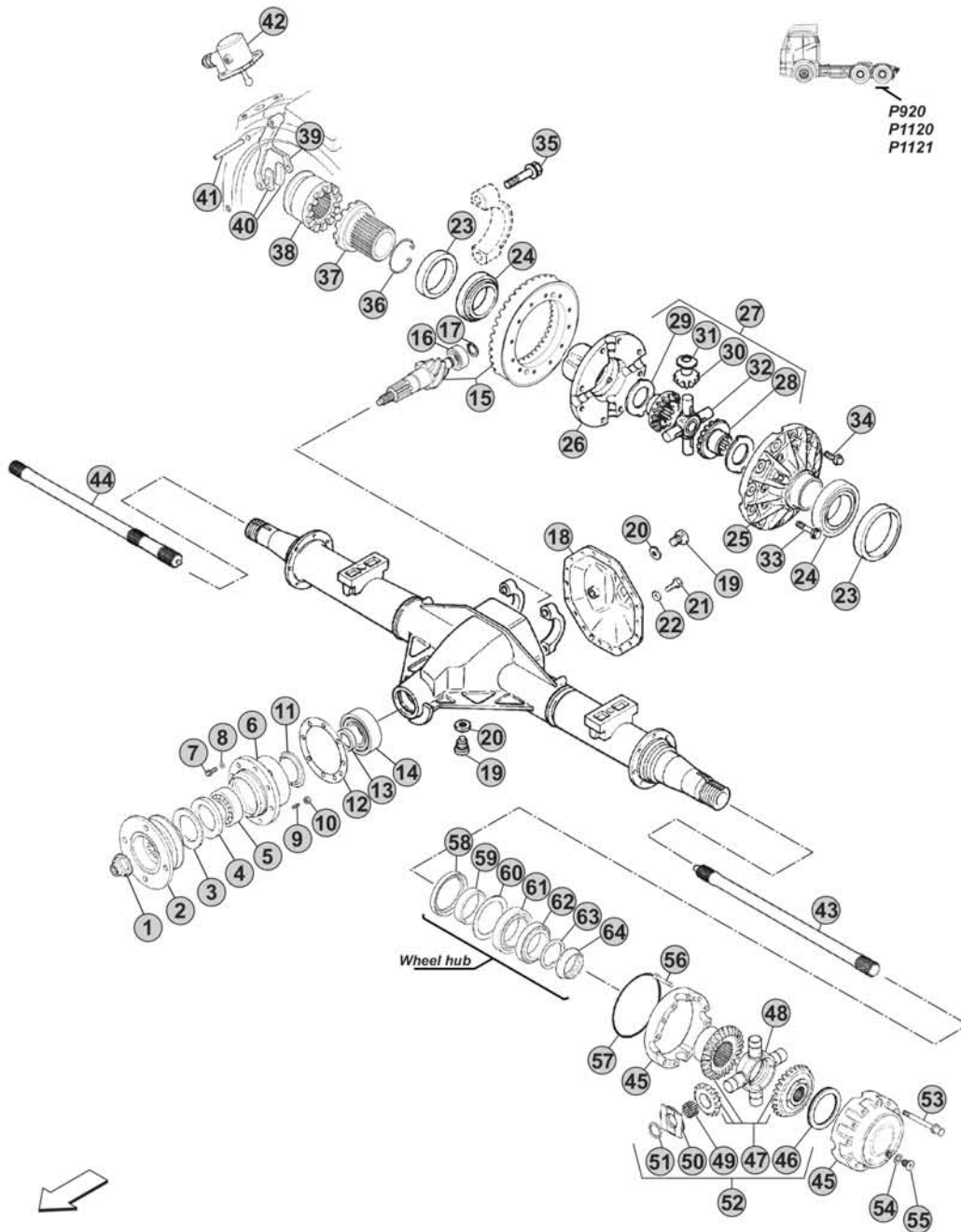
- (1) To be coupled together
- (2) To be coupled together
- (3) To be coupled together
- (4) To be coupled together

VERSIONS:

- REAR P920
- REAR P1120
- REAR P1121

APPLICATIONS:

- MIDLUM



Our spare parts are not the originals but interchangeable with the originals ones. All original equipment manufacturers' numbers, pictures and models used in this catalogue are for reference only. Our products bear our trade-mark.

Notes

[Empty grey box for notes]

Our spare parts are not the originals but interchangeable with the originals ones. All original equipment manufacturers' numbers, pictures and models used in this catalogue are for reference only. Our products bear our trade-mark.

Fig.	CEI no.	RENAULT no.	Description	Q.ty	Notes	P920	P1120	P1121
34	187.820	50 10 241 616	Screw	12	(4) Type A	●		
34	187.821	50 10 534 402	Screw	16	(2) Type B	●	●	●
34	187.824	50 10 534 401	Screw	16	(3) Type B	●	●	●
34	287.011	50 10 534 400	Screw	16	(4) Type B	●	●	●
34	187.820	50 10 241 616	Screw	12	(4) Type B L. 33,00 mm.	●	●	●
34	187.746	50 00 682 326	Screw	12	(4) Type B L. 80,00 mm.	●	●	●
35	187.822	00 00 192 294	Screw	4		●	●	●
36		50 00 654 790	Seeger ring	1	Type A	●		
36	111.408	50 00 671 227	Seeger ring	1	Type B	●	●	●
37		50 00 653 555	Sleeve	1	Type A	●		
37	154.497	50 10 443 617	Sleeve	1	Type B	●	●	●
38		50 00 653 556	Block sleeve	1	Type A	●		
38	154.249	50 10 443 227	Block sleeve	1	Type B	●	●	●
39		50 10 443 191	Fork	1		●	●	●
40	141.285	50 10 611 038	Sliding pad	2		●	●	●
41		50 10 377 305	Pin	1		●	●	●
42		50 10 443 193	Differential lock control	1	Type A	●		
42		50 10 244 374	Differential lock control	1	Type B	●	●	●
43		50 10 319 737	Drive shaft	1	Type A	●		
43		50 10 534 017	Drive shaft	1	Type B	●		
43		50 10 534 007	Drive shaft	1			●	
43		50 10 534 012	Drive shaft	1				●
44		50 10 319 735	Drive shaft	1	Type A W/out Lock	●		
44		50 10 319 736	Drive shaft	1	Type A With Lock	●		
44		50 10 534 019	Drive shaft	1	Type B W/out Lock	●		
44		50 10 534 018	Drive shaft	1	Type B With Lock	●		
44		50 10 534 009	Drive shaft	1	W/out Lock		●	
44		50 10 534 008	Drive shaft	1	With Lock		●	
44		50 10 534 014	Drive shaft	1	W/out Lock			●
44		50 10 534 013	Drive shaft	1	With Lock			●
45	175.314	50 00 664 413	Wheel reduction housing	1				●
46	130.447	50 10 611 109	Bearing	1				●
47	298.109	50 00 849 420	Wheel reduction gear kit	1				●
48	133.166	50 10 534 987	Wheel reduction gear spider	1				●
49	171.089	50 10 443 947	Needle	0				●
50	130.446	50 10 611 110	Bearing	4				●
51	269.091	09 48 361 064	O-Ring	4				●
52	298.499	74 85 141 843	Wheel reduction gear kit	1				●
53	187.771	50 00 671 328	Screw	12				●
54	269.507	77 03 062 063	Gasket	1				●
55	185.063	74 20 815 098	Plug	1				●
56	187.562	50 03 009 278	Screw	4				●
57	139.984	50 03 065 132	O-Ring	1				●

P920 - P1120
P1121

Date

12/2015

Notes

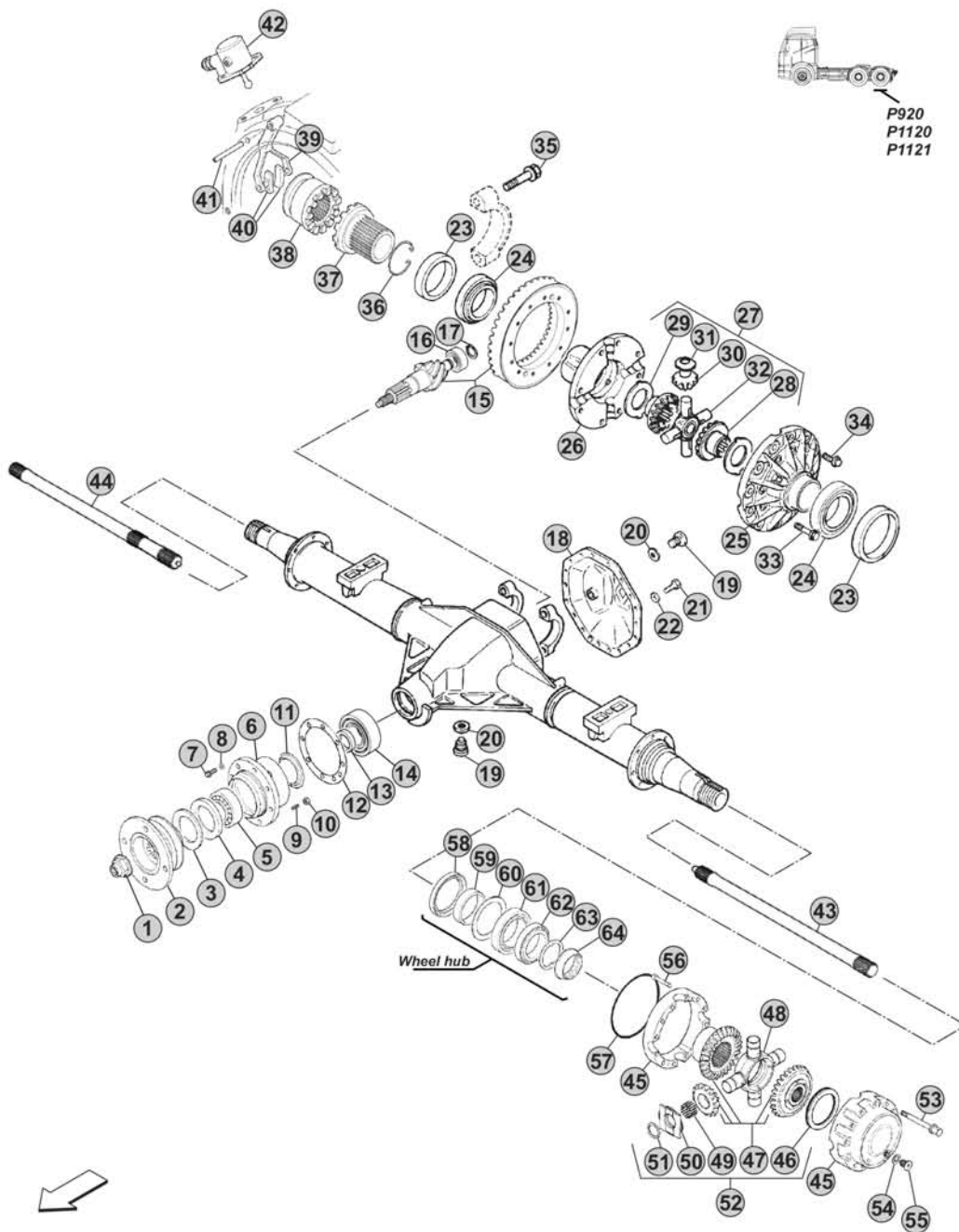
- (4) To be coupled together
(2) To be coupled together
(3) To be coupled together

VERSIONS:

- REAR P920
- REAR P1120
- REAR P1121

APPLICATIONS:

- MIDLUM



Our spare parts are not the originals but interchangeable with the originals ones. All original equipment manufacturers' numbers, pictures and models used in this catalogue are for reference only. Our products bear our trade-mark.

Notes

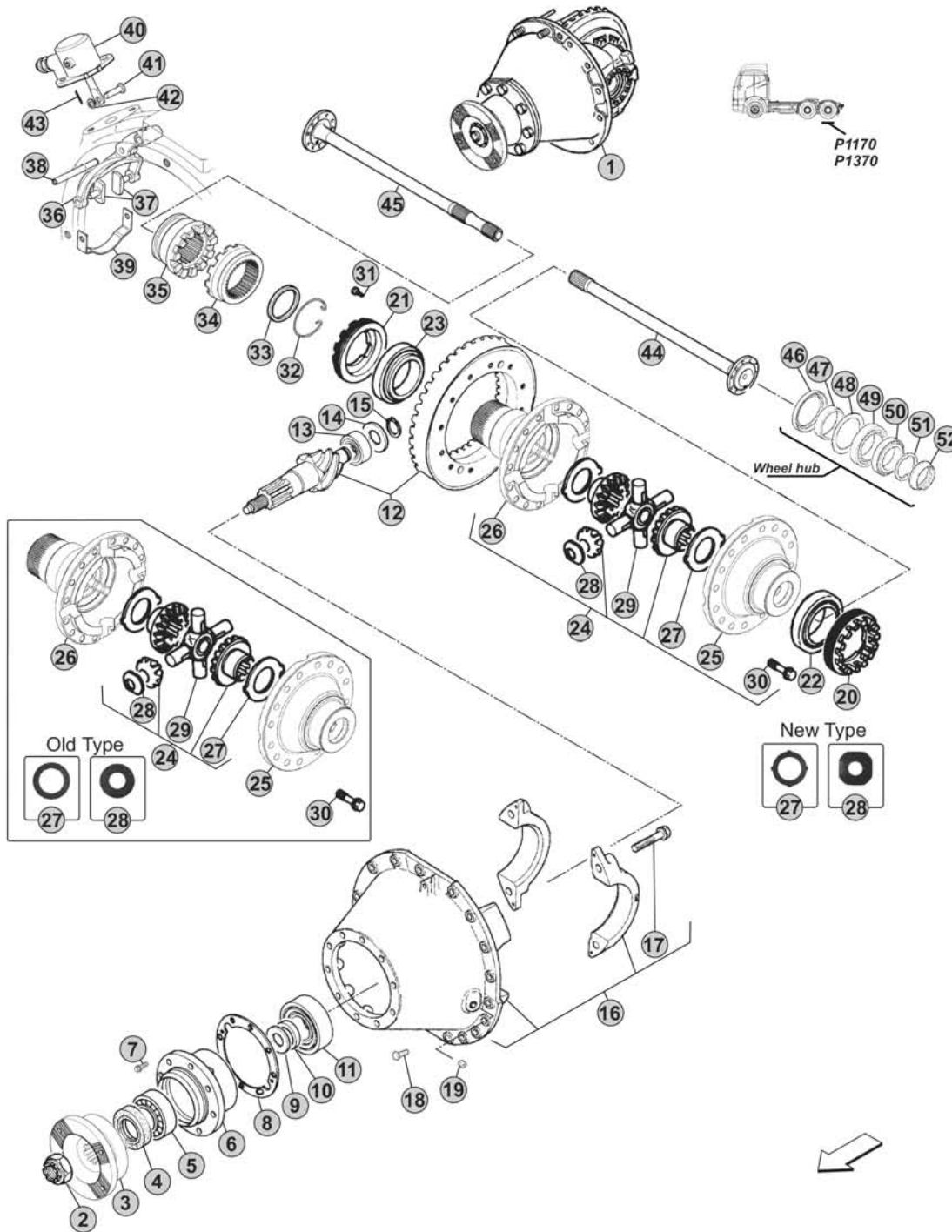
[Empty grey box for notes]

VERSIONS:

- REAR P1170
- REAR P1370

APPLICATIONS:

- MIDLUM (P1170)
- PREMIUM (P1370)
- MAGNUM (P1370)



Our spare parts are not the originals but interchangeable with the originals ones. All original equipment manufacturers' numbers, pictures and models used in this catalogue are for reference only. Our products bear our trade-mark.

Notes

Our spare parts are not the originals but interchangeable with the originals ones. All original equipment manufacturers' numbers, pictures and models used in this catalogue are for reference only. Our products bear our trade-mark.

Fig.	CEI no.	RENAULT no.	Description	Q.ty	Notes	P1170	P1370			
1	280.645	56 00 584 804	Differential rear Assy 14x37 R.2,64	1	New Type 100 Km/h	●	●			
1	280.634	56 00 584 805	Differential rear Assy 13x37 R.2,85	1	New Type 93 Km/h	●	●			
1	280.643	56 00 584 806	Differential rear Assy 12x37 R.3,08	1	New Type 86 Km/h	●	●			
1	280.642	56 00 584 807	Differential rear Assy 11x37 R.3,36	1	New Type 79 Km/h	●	●			
1	280.640	56 00 584 808	Differential rear Assy 10x37 R.3,70	1	New Type 71 Km/h	●	●			
1	280.638	56 00 584 809	Differential rear Assy 9x37 R.4,11	1	New Type 64 Km/h	●	●			
1	280.633	56 00 584 810	Differential rear Assy 8x37 R.4,63	1	New Type 57 Km/h	●	●			
1	280.635	56 00 584 811	Differential rear Assy 7x37 R.5,29	1	New Type 50 Km/h	●	●			
2	187.724	50 10 241 239	Nut	1		●	●			
3	155.228	50 10 319 125	Flange	1		●	●			
3	197.147	50 10 319 124	Flange	1	(3)	●	●			
4	139.758	50 10 534 863	Oil Seal	1		●	●			
5	130.708	50 10 241 401	Bearing	1		●	●			
6	175.301	50 10 319 040	Bearings cage	1		●	●			
7	187.728	50 10 319 049	Screw	10		●	●			
8	269.025		Thrust washer mm. 0,20	0		●	●			
8	269.023	50 10 319 042	Thrust washer mm. 0,25	0		●	●			
8	269.024	50 10 319 043	Thrust washer mm. 0,30	0		●	●			
8	269.077	50 10 319 044	Thrust washer mm. 0,40	0		●	●			
8	269.078	50 10 319 045	Thrust washer mm. 0,50	0		●	●			
8	269.079	50 10 319 046	Thrust washer mm. 0,60	0		●	●			
8	269.080	50 10 319 047	Thrust washer mm. 0,70	0		●	●			
8	269.081	50 10 319 048	Thrust washer mm. 1,00	0		●	●			
9	269.028		Thrust washer mm. 0,20	0		●	●			
9	269.029		Thrust washer mm. 0,30	0		●	●			
10	269.020	50 10 241 287	Spacer mm. 20,20	0		●	●			
10	269.021	50 10 241 288	Spacer mm. 20,22	0		●	●			
10	269.022	50 10 241 289	Spacer mm. 20,24	0		●	●			
10	269.026		Spacer mm. 20,26	0		●	●			
10	269.027		Spacer mm. 20,28	0		●	●			
11	130.709	50 10 319 751	Bearing	1		●	●			
12	194.672	56 00 584 418	Crown & Pinion 14x37 R.2,64	1	100 Km/h	●	●			
12	194.676	56 00 584 417	Crown & Pinion 13x37 R.2,85	1	93 Km/h	●	●			
12	194.671	56 00 594 926	Crown & Pinion 12x37 R.3,08	1	86 Km/h	●	●			
12	194.675	56 00 594 925	Crown & Pinion 11x37 R.3,36	1	79 Km/h	●	●			
12	194.670	56 00 594 924	Crown & Pinion 10x37 R.3,70	1	71 Km/h	●	●			
12	194.674	56 00 594 923	Crown & Pinion 9x37 R.4,11	1	64 Km/h	●	●			
12	194.597	56 00 584 855	Crown & Pinion 8x37 R.4,63	1	57 Km/h	●	●			
12	194.673	56 00 594 921	Crown & Pinion 7x37 R.5,29	1	50 Km/h	●	●			
13	130.299	50 10 241 406	Bearing	1	Premium brand	●	●			
13	530.299	50 10 241 406	Bearing	1	Aftermarket	●	●			
14	269.030	50 10 319 102	Spacer	1		●	●			
15	111.268	74 00 914 465	Seeger ring	1		●	●			

Date

12/2015

Notes

(3) Alternative solution

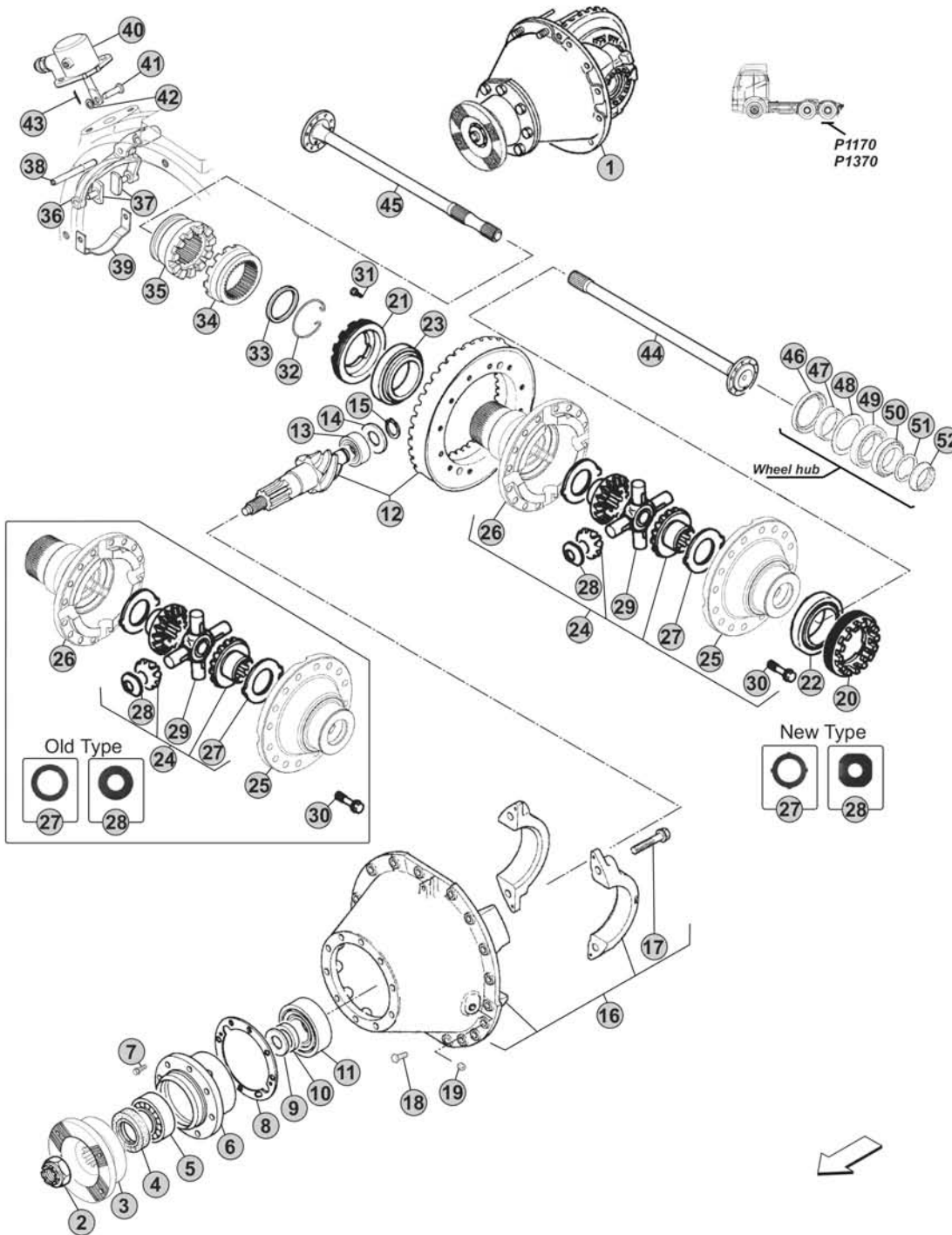
P1170 - P1370

VERSIONS:

- REAR P1170
- REAR P1370

APPLICATIONS:

- MIDLUM (P1170)
- PREMIUM (P1370)
- MAGNUM (P1370)



Our spare parts are not the originals but interchangeable with the originals ones. All original equipment manufacturers' numbers, pictures and models used in this catalogue are for reference only. Our products bear our trade-mark.

Notes

Our spare parts are not the originals but interchangeable with the originals ones. All original equipment manufacturers' numbers, pictures and models used in this catalogue are for reference only. Our products bear our trade-mark.

Fig.	CEI no.	RENAULT no.	Description	Q.ty	Notes	P1170	P1370			
16	199.254	50 10 241 942	Differential support housing	1		●	●			
17	187.733	50 10 319 367	Screw	4		●	●			
18		50 10 319 373	Screw	18		●	●			
19	187.993	50 10 571 417	Plug	1		●	●			
20	187.732	50 10 241 945	Grooved nut	1		●	●			
21	187.729	50 10 241 210	Grooved nut	1		●	●			
22	130.712	50 10 534 616	Bearing	1		●	●			
23	130.711	50 10 534 617	Bearing	1		●	●			
24	198.964	50 01 854 473	Differential housing assy	1	Old Type	●	●			
24	298.056	50 01 864 600	Differential housing assy	1	New Type W/out Lock	●	●			
24	298.134	50 01 864 600	Differential housing assy	1	New Type W/out Lock	●	●			
24	298.057	50 01 864 601	Differential housing assy	1	New Type With Lock	●	●			
24	298.133	50 01 864 601	Differential housing assy	1	New Type With Lock	●	●			
25	175.297	50 10 319 613	Differential half housing	1	Old Type	●	●			
25	175.299	50 10 534 101	Differential half housing	1	New Type	●	●			
26	175.322	50 10 319 614	Differential half housing	1	Old Type W/out Lock	●	●			
26	175.296	50 10 319 615	Differential half housing	1	Old Type With Lock	●	●			
26	175.298	50 10 534 102	Differential half housing	1	New Type W/out Lock	●	●			
26	175.300	50 10 534 728	Differential half housing	1	New Type With Lock	●	●			
27	169.993	50 10 319 562	Side gear thrust washer	2	Old Type	●	●			
27	269.048	M50 10 319 562	Side gear thrust washer	2	New Type	●	●			
28	169.992	50 10 319 478	Side pinion thrust washer	4	Old Type	●	●			
28	269.037	50 10 534 727	Side pinion thrust washer	4	(4) New Type	●	●			
28	269.198	50 10 534 727	Side pinion thrust washer	4	(5) New Type	●	●			
29	133.159	50 10 534 984	Differential Spider	1		●	●			
30	187.731	50 10 319 133	Screw	16		●	●			
31	187.730	50 00 695 135	Screw	2		●	●			
32	111.269	77 03 066 120	Seeger ring	1		●	●			
33	269.031	50 10 241 968	Spacer	1		●	●			
34	154.376	50 10 241 948	Sleeve	1		●	●			
35	154.377	50 10 241 949	Block sleeve	1		●	●			
36	141.196	50 10 241 994	Fork	1	(1)	●	●			
36		50 10 534 100	Fork	1	(2)	●	●			
37	141.197	50 00 664 011	Sliding pad	2	(1)	●	●			
37	141.285	50 10 611 038	Sliding pad	2	(2)	●	●			
38	160.243	50 10 241 996	Pin	1		●	●			
39		50 00 664 014	Support	1	(1)	●	●			
40		50 10 319 858	Differential lock control	1	(1)	●	●			
40		50 10 319 698	Differential lock control	1	(1)	●	●			
40		50 10 244 374	Differential lock control	1	(2)	●	●			
41		50 10 292 740	Pin	1	(1)	●	●			
42		74 20 920 460	Washer	1	(1)	●	●			
43		50 03 068 082	Cotter pin	1	(1)	●	●			

Date

12/2015

Notes

(4) For differential housing assy CEI no. 298.057 (Pos. 24)

(5) For differential housing assy CEI no. 298.133 (Pos. 24)

(1) To be coupled together

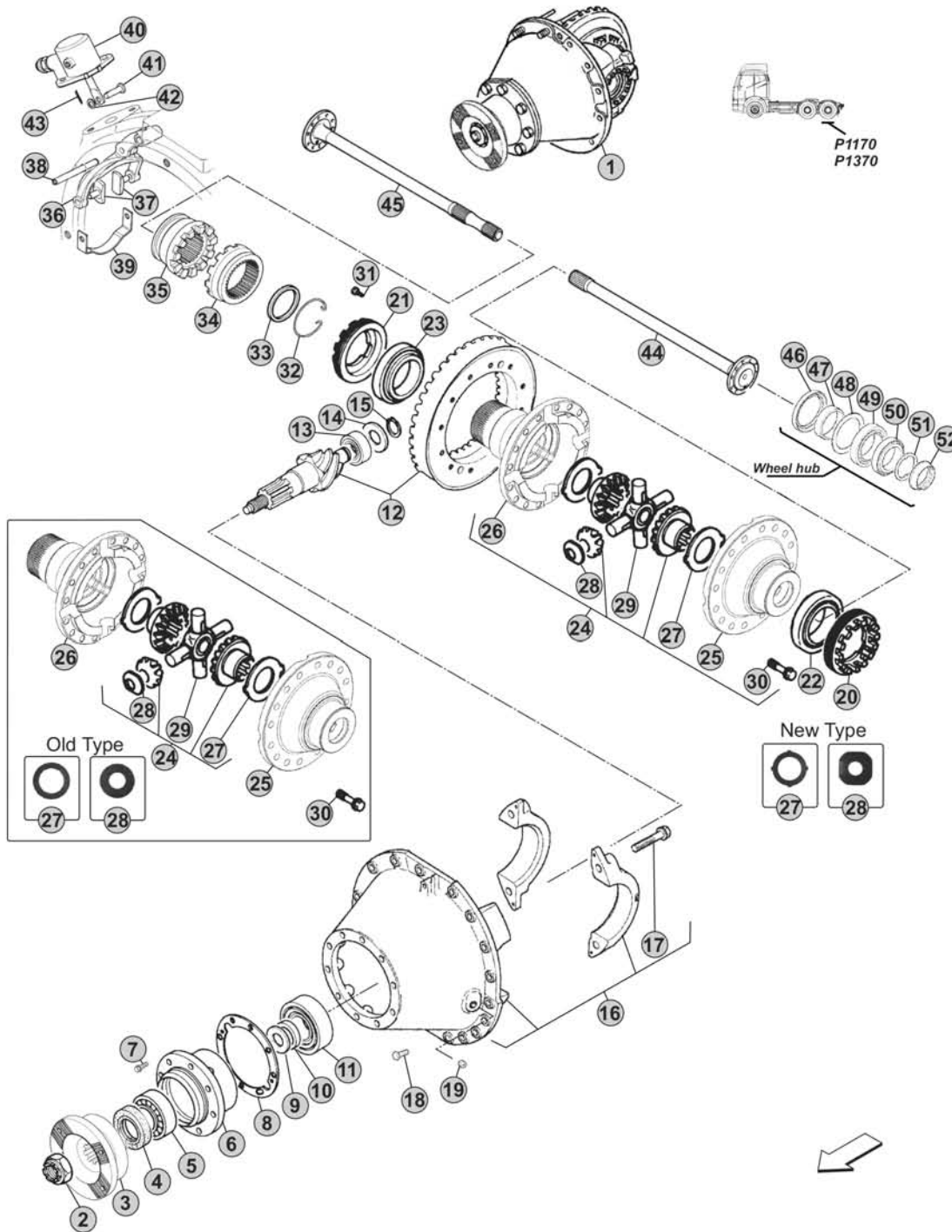
(2) To be coupled together

VERSIONS:

- REAR P1170
- REAR P1370

APPLICATIONS:

- MIDLUM (P1170)
- PREMIUM (P1370)
- MAGNUM (P1370)



Notes

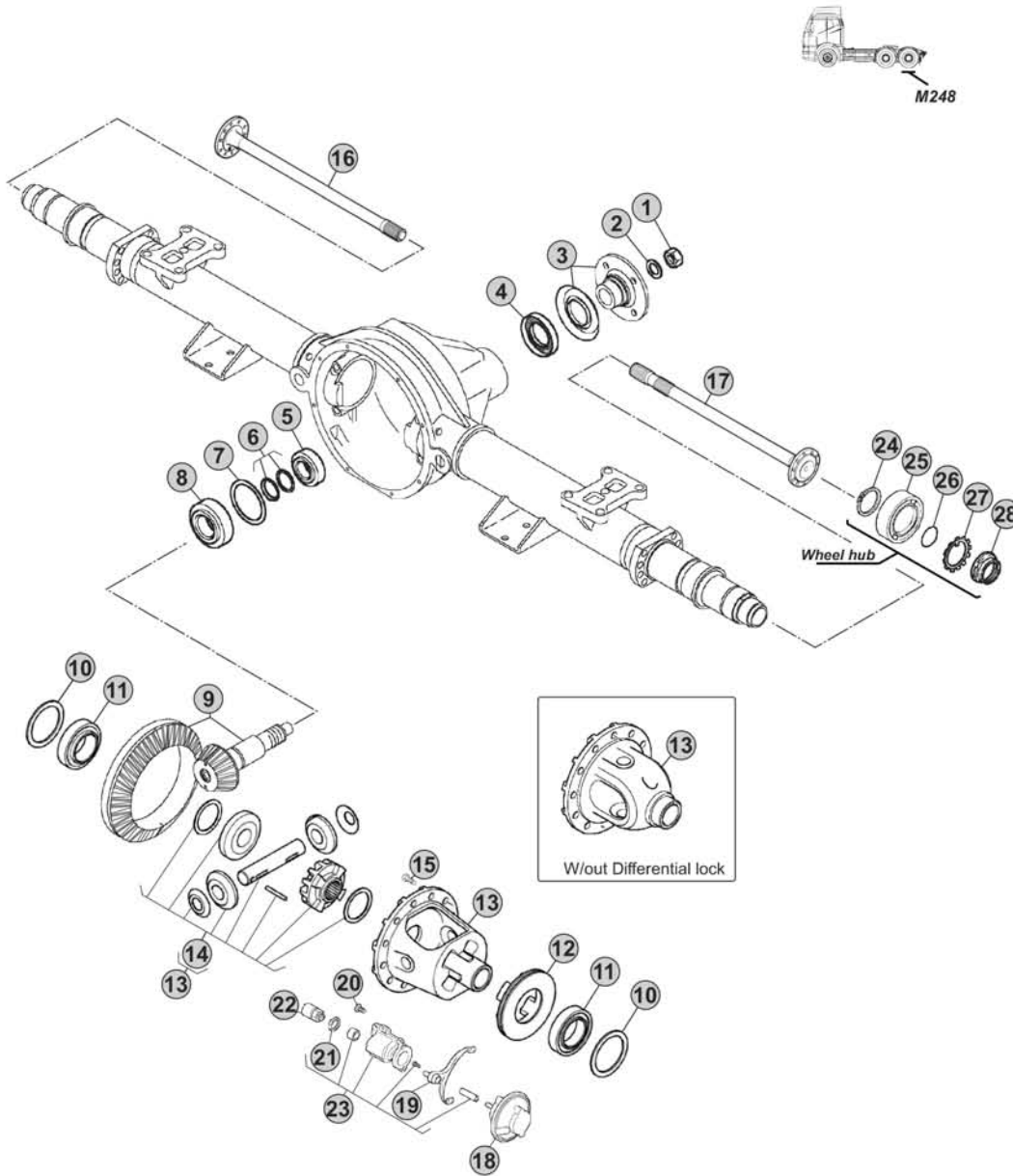
[Blank area for notes]

VERSIONS:

- REAR M248

APPLICATIONS:

- MASCOTT



Notes

[Empty grey box for notes]



Our spare parts are not the originals but interchangeable with the originals ones. All original equipment manufacturers' numbers, pictures and models used in this catalogue are for reference only. Our products bear our trade-mark.

Suitable to:

RENAULT

200

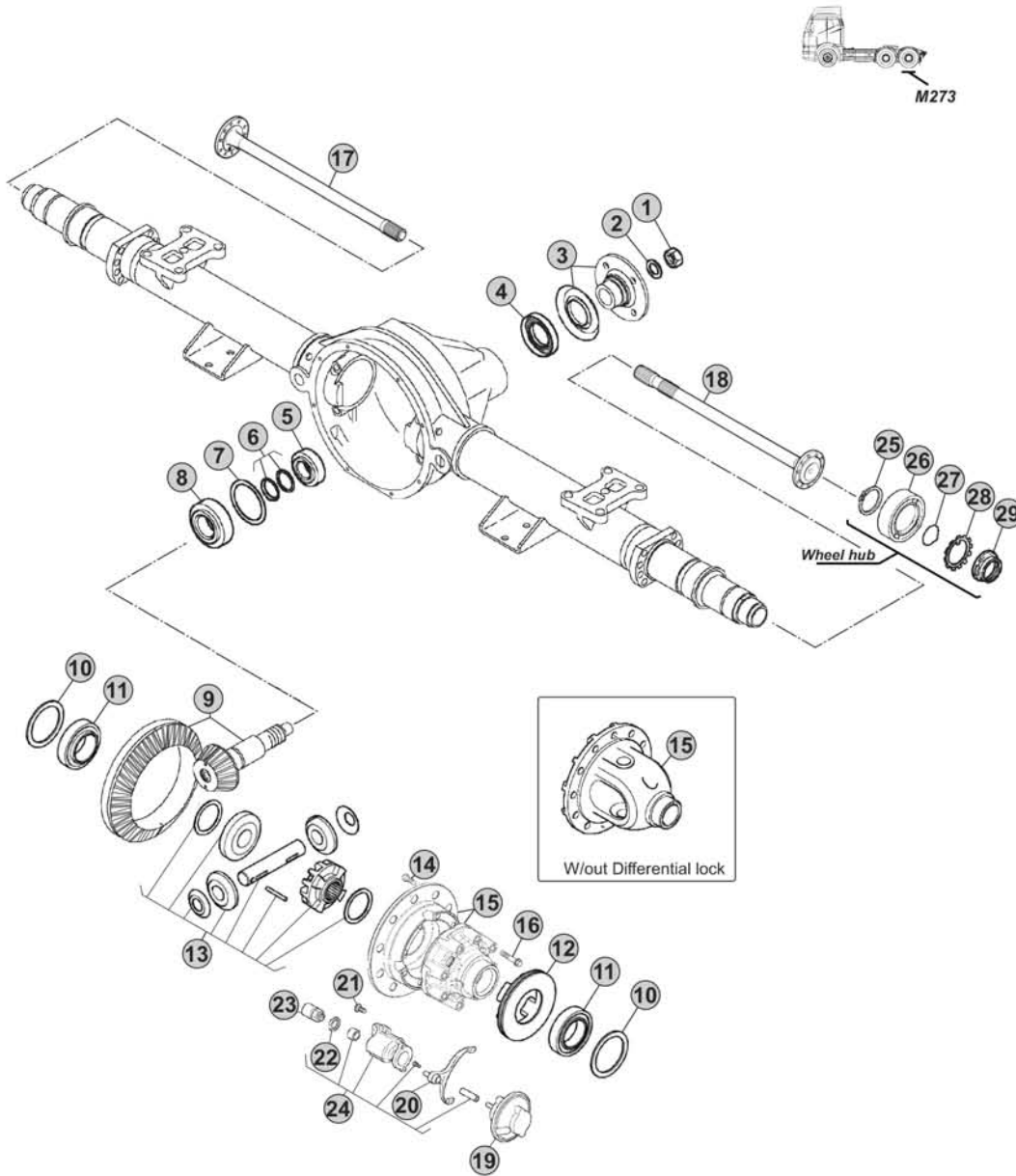
DIFFERENTIAL

VERSIONS:

- REAR M273

APPLICATIONS:

- MASCOTT



Notes



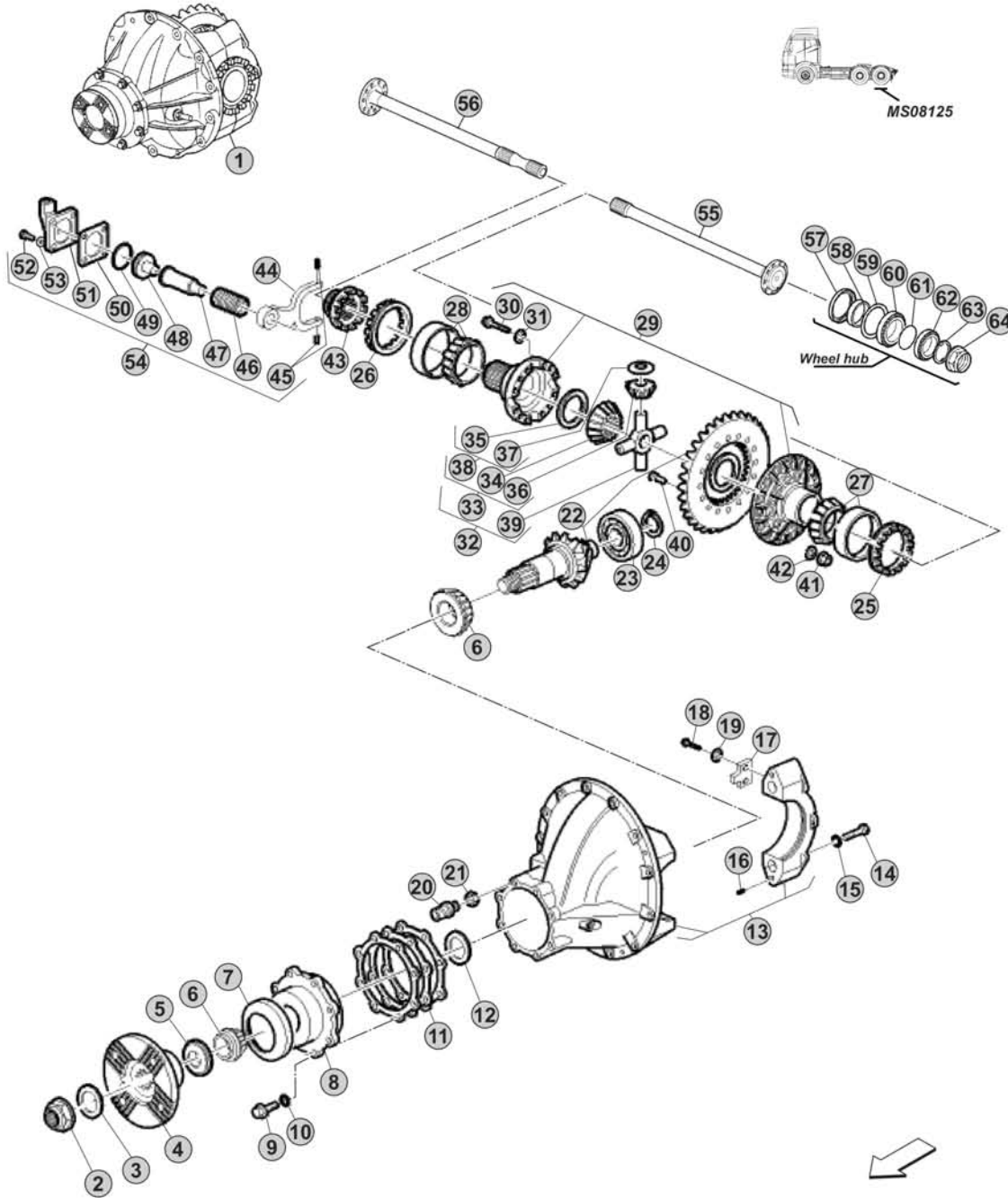
Our spare parts are not the originals but interchangeable with the originals ones. All original equipment manufacturers' numbers, pictures and models used in this catalogue are for reference only. Our products bear our trade-mark.

VERSIONS:

- REAR MS08125

APPLICATIONS:

- MIDLUM



Notes

[Empty grey box for notes]

Our spare parts are not the originals but interchangeable with the originals ones. All original equipment manufacturers' numbers, pictures and models used in this catalogue are for reference only. Our products bear our trade-mark.

Fig.	CEI no.	RENAULT no.	Description	Q.ty	Notes	MS08125				
1		74 20 811 095	Differential rear Assy 13x43 R.3,31	1	100 Km/h	●				
1		74 20 811 404	Differential rear Assy 12x43 R.3,58	1	92 Km/h	●				
1		74 20 811 405	Differential rear Assy 11x41 R.3,73	1	89 Km/h	●				
1		74 20 811 406	Differential rear Assy 11x43 R.3,91	1	85 Km/h	●				
1		74 20 811 407	Differential rear Assy 10x41 R.4,10	1	81 Km/h	●				
1		74 20 811 409	Differential rear Assy 10x43 R.4,30	1	77 Km/h	●				
1		74 20 811 410	Differential rear Assy 9x41 R.4,56	1	73 Km/h	●				
1	280.784	74 20 811 461	Differential rear Assy 9x41 R.4,56	1	73 Km/h	●				
1		74 20 811 411	Differential rear Assy 8x39 R.4,88	1	68 Km/h	●				
1		74 20 811 412	Differential rear Assy 8x41 R.5,13	1	65 Km/h	●				
1		74 20 811 417	Differential rear Assy 7x37 R.5,29	1	63 Km/h	●				
1		74 20 811 418	Differential rear Assy 7x39 R.5,57	1	59 Km/h	●				
1		74 20 811 420	Differential rear Assy 7x41 R.5,86	1	56 Km/h	●				
2	187.798	74 20 836 139	Nut	1		●				
3	167.125	74 20 836 133	Washer	1		●				
4	197.294	74 20 836 361	Flange	1		●				
5	239.053	74 20 836 148	Oil Seal	1		●				
6	130.507	74 20 904 223	Bearing	2		●				
7	239.060	74 20 836 131	Dust cover	1		●				
8		74 20 836 149	Bearings cage	1		●				
9		50 03 101 222	Screw	8		●				
10	167.124	74 00 955 898	Washer	8		●				
11		74 20 883 725	Thrust washers kit	1		●				
12		74 20 904 206	Spacer	1		●				
13		74 20 836 186	Differential support housing	1		●				
14		74 20 836 184	Screw	4		●				
15		74 20 438 816	Washer	4		●				
16		74 20 836 157	Pin	2		●				
17		74 20 836 155	Lock plate	1		●				
18		74 85 101 987	Screw	2		●				
19		74 20 836 151	Washer	2		●				
20		74 03 181 941	Sensor	1		●				
21		74 00 190 734	Nut	1		●				
22	294.331	74 20 885 985	Crown & Pinion 13x43 R.3,31	1	(1) 100 Km/h	●				
22	294.332	74 20 886 003	Crown & Pinion 12x43 R.3,58	1	(1) 92 Km/h	●				
22	294.333	74 20 886 004	Crown & Pinion 11x41 R.3,73	1	(1-2) 89 Km/h	●				
22	294.334	74 20 886 005	Crown & Pinion 11x43 R.3,91	1	(1-2) 85 Km/h	●				
22	294.335	74 20 886 011	Crown & Pinion 10x41 R.4,10	1	(1-2) 81 Km/h	●				
22	294.336	74 20 886 013	Crown & Pinion 10x43 R.4,30	1	(1-2) 77 Km/h	●				
22	294.337	74 20 886 014	Crown & Pinion 9x41 R.4,56	1	(3) 73 Km/h	●				
22	294.338	74 20 886 015	Crown & Pinion 8x39 R.4,88	1	(3) 68 Km/h	●				
22	294.339	74 20 886 016	Crown & Pinion 8x41 R.5,13	1	(3) 65 Km/h	●				
22	294.340	74 20 886 018	Crown & Pinion 7x37 R.5,29	1	(3) 63 Km/h	●				

Date

12/2015

Notes

(1) To be coupled together

(2) To be coupled together

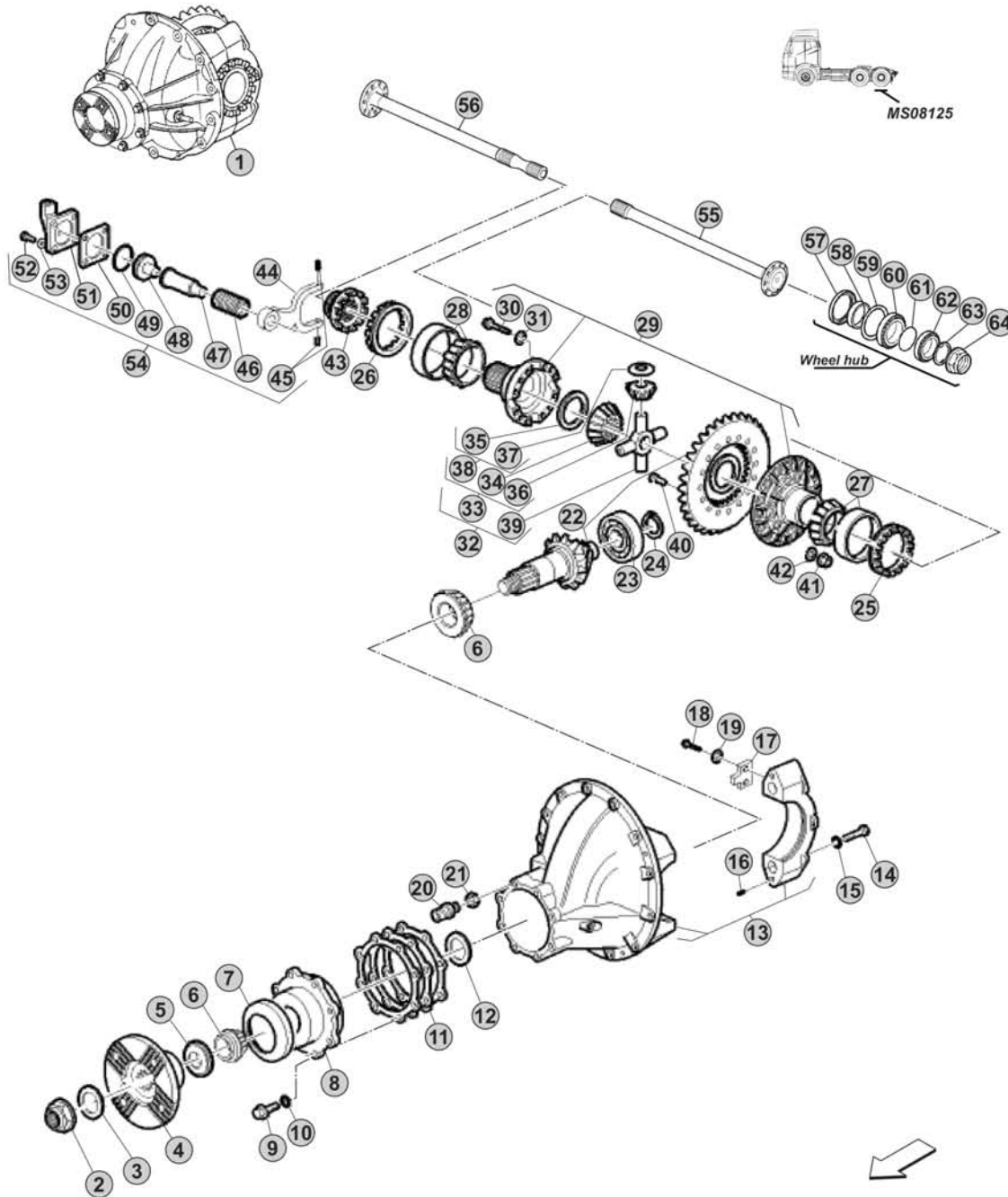
(3) To be coupled together

VERSIONS:

- REAR MS08125

APPLICATIONS:

- MIDLUM



Our spare parts are not the originals but interchangeable with the originals ones. All original equipment manufacturers' numbers, pictures and models used in this catalogue are for reference only. Our products bear our trade-mark.

Notes



Our spare parts are not the originals but interchangeable with the originals ones. All original equipment manufacturers' numbers, pictures and models used in this catalogue are for reference only. Our products bear our trade-mark.

Fig.	CEI no.	RENAULT no.	Description	Q.ty	Notes	MS08125				
22	294.341	74 20 886 024	Crown & Pinion 7x39 R.5,57	1	(3) 59 Km/h	●				
22	294.342	74 20 886 025	Crown & Pinion 7x41 R.5,86	1	56 Km/h	●				
23	130.504	74 20 836 144	Bearing	1		●				
24	111.518	74 20 836 142	Seeger ring	1		●				
25	187.810	74 20 836 161	Grooved nut	1		●				
26	187.811	74 20 836 159	Grooved nut	1		●				
27	130.505	74 20 836 165	Bearing	1		●				
28	130.506	74 20 836 163	Bearing	1		●				
29	199.154	74 85 135 295	Differential housing	1	(1)	●				
29	199.155	74 85 101 980	Differential housing	1	(2)	●				
29	199.156	74 85 115 371	Differential housing	1	(3)	●				
30	187.825	74 85 101 977	Screw	12	(1-2)	●				
30	287.105	74 20 521 385	Screw	12	(3)	●				
31	167.126	74 20 438 626	Washer	12		●				
32	298.503	74 20 883 743	Differential kit	1		●				
33	298.504	74 03 094 289	Differential kit	1		●				
34	122.200	74 20 836 173	Differential side gear	2		●				
35	269.909	74 20 836 169	Side gear thrust washer	2		●				
36	182.158	74 20 836 171	Differential side pinion	4		●				
37	269.911	74 20 836 167	Side pinion thrust washer	4		●				
38	298.505	74 20 883 965	Differential thrust washers kit	1		●				
39	133.272	74 20 836 175	Differential Spider	1		●				
40	187.826	74 03 096 134	Screw	12		●				
41	187.799	74 20 836 182	Nut	12		●				
42	167.124	74 00 955 898	Washer	12		●				
43	154.262	74 20 836 126	Block sleeve	1		●				
44		74 20 836 129	Fork	1		●				
45		74 08 171 101	Pin	2		●				
46		74 20 438 665	Spring	1		●				
47		74 20 836 382	Gear shift rail	1		●				
48		74 08 171 104	Piston	1		●				
49		74 06 790 354	O-Ring	1		●				
50		74 03 096 155	Gasket	1		●				
51		74 08 171 106	Cover	1		●				
52		74 08 171 108	Screw	4		●				
53		74 08 171 109	Washer	4		●				
54		74 85 102 319	Differential lock control	1		●				
55		74 20 812 019	Drive shaft	1		●				
56		74 20 812 023	Drive shaft	1		●				
56		74 20 812 023	Drive shaft	1		●				
57		50 10 443 187	Oil Seal	1	(4)	●				
57		74 21 723 304	Oil Seal	1	(5)	●				
58		50 10 598 279	Spacer	1	(4)	●				

MS08125

Date

12/2015

Notes

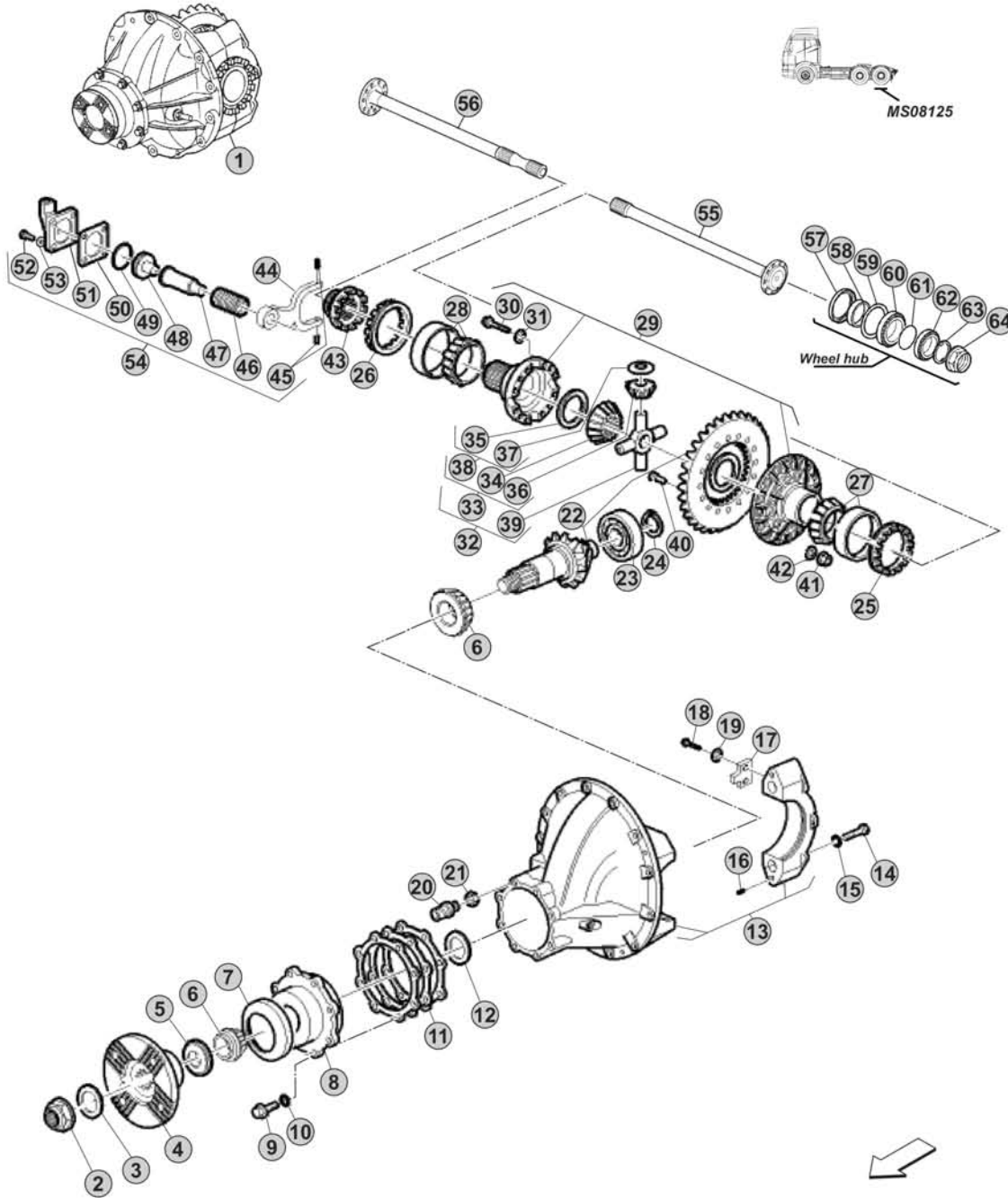
- (3) To be coupled together
 (1) To be coupled together
 (2) To be coupled together
 (4) To be coupled together
 (5) To be coupled together

VERSIONS:

- REAR MS08125

APPLICATIONS:

- MIDLUM



Notes

[Blank area for notes]

Our spare parts are not the originals but interchangeable with the originals ones. All original equipment manufacturers' numbers, pictures and models used in this catalogue are for reference only. Our products bear our trade-mark.

Fig.	CEI no.	RENAULT no.	Description	Q.ty	Notes	MS11145				
1		74 20 813 995	Differential rear Assy 12x43 R.3,58	1	100 Km/h	●				
1		74 20 814 023	Differential rear Assy 11x41 R.3,73	1	96 Km/h	●				
1		74 20 814 049	Differential rear Assy 10x39 R.3,90	1	92 Km/h	●				
1		74 20 814 053	Differential rear Assy 9x37 R.4,11	1	87 Km/h	●				
1		74 20 814 059	Differential rear Assy 9x39 R.4,33	1	83 Km/h	●				
1		74 20 814 060	Differential rear Assy 8x37 R.4,63	1	77 Km/h	●				
1		74 20 814 064	Differential rear Assy 8x39 R.4,88	1	74 Km/h	●				
1		74 20 814 073	Differential rear Assy 8x41 R.5,13	1	70 Km/h	●				
1		74 20 814 077	Differential rear Assy 7x37 R.5,29	1	68 Km/h	●				
1		74 20 814 083	Differential rear Assy 7x39 R.5,57	1	64 Km/h	●				
1		74 20 814 142	Differential rear Assy 7x41 R.5,86	1	61 Km/h	●				
2	187.800	74 20 521 426	Nut	1		●				
3	167.128	74 20 438 852	Washer	1		●				
4	197.241	74 20 820 150	Flange	1		●				
5	239.061	74 20 820 192	Dust cover	1		●				
6	130.510	74 20 521 613	Bearing	1		●				
7	239.054	74 20 820 813	Oil Seal	1		●				
8		74 20 820 868	Bearings cage	1		●				
9		74 20 820 873	Screw	8		●				
10	167.126	74 20 438 626	Washer	8		●				
11		74 20 883 554	Thrust washers kit	1		●				
12		74 20 521 232	Spacer mm. 8,75	0		●				
12		74 20 521 233	Spacer mm. 8,78	0		●				
12		74 20 521 234	Spacer mm. 8,80	0		●				
12		74 20 521 235	Spacer mm. 8,83	0		●				
12		74 20 521 236	Spacer mm. 8,85	0		●				
12		74 20 521 237	Spacer mm. 8,98	0		●				
12		74 20 521 238	Spacer mm. 9,10	0		●				
12		74 20 521 239	Spacer mm. 9,13	0		●				
12		74 20 521 240	Spacer mm. 9,15	0		●				
12		74 20 521 241	Spacer mm. 9,18	0		●				
13		74 85 102 110	Spacers kit	1		●				
14		74 20 820 948	Differential support housing	1		●				
15		74 20 521 373	Screw	4		●				
16		74 20 521 399	Washer	4		●				
17		74 20 758 903	Screw	2		●				
18	298.506	74 20 890 122	Oil Seal and dust cover kit	1		●				
19		74 03 181 941	Sensor	1		●				
20		74 00 190 734	Nut	1		●				
21	130.508	74 20 767 738	Bearing	1		●				
22	298.507	74 20 904 140	Bearings kit	1		●				
23	294.343	74 20 819 144	Crown & Pinion 12x43 R.3,58	1	100 Km/h	●				
23	294.344	74 20 819 149	Crown & Pinion 11x41 R.3,73	1	96 Km/h	●				

Date

12/2015

Notes

Our spare parts are not the originals but interchangeable with the originals ones. All original equipment manufacturers' numbers, pictures and models used in this catalogue are for reference only. Our products bear our trade-mark.

Fig.	CEI no.	RENAULT no.	Description	Q.ty	Notes	MS11145				
23	294.345	74 20 819 154	Crown & Pinion 10x39 R.3,90	1	92 Km/h	●				
23	294.346	74 20 819 157	Crown & Pinion 9x37 R.4,11	1	87 Km/h	●				
23	294.347	74 20 819 158	Crown & Pinion 9x39 R.4,33	1	83 Km/h	●				
23	294.348	74 20 819 161	Crown & Pinion 8x37 R.4,63	1	77 Km/h	●				
23	294.349	74 20 819 162	Crown & Pinion 8x39 R.4,88	1	74 Km/h	●				
23	294.350	74 20 819 164	Crown & Pinion 8x41 R.5,13	1	70 Km/h	●				
23	294.351	74 20 819 166	Crown & Pinion 7x37 R.5,29	1	68 Km/h	●				
23	294.352	74 20 819 169	Crown & Pinion 7x39 R.5,57	1	64 Km/h	●				
23	294.353	74 20 819 182	Crown & Pinion 7x41 R.5,86	1	61 Km/h	●				
24	130.509	74 20 521 225	Bearing	1		●				
25	111.519	74 20 949 970	Seeger ring	1	(1)	●				
25	111.520	74 20 521 243	Seeger ring	1	(2)	●				
26	187.827	74 20 521 417	Screw	12		●				
27	187.801	74 20 521 423	Nut	12		●				
28	167.127	74 20 521 422	Washer	12		●				
29	298.830	74 20 885 753	Kit Crown & Pinion 12x43 R.3,58	1	100 Km/h	●				
29	298.831	74 20 885 768	Kit Crown & Pinion 11x41 R.3,73	1	96 Km/h	●				
29	298.832	74 20 885 771	Kit Crown & Pinion 10x39 R.3,90	1	92 Km/h	●				
29	298.833	74 20 885 772	Kit Crown & Pinion 9x37 R.4,11	1	87 Km/h	●				
29	298.834	74 20 885 774	Kit Crown & Pinion 9x39 R.4,33	1	83 Km/h	●				
29	298.835	74 20 885 775	Kit Crown & Pinion 8x37 R.4,63	1	77 Km/h	●				
29	298.836	74 20 885 776	Kit Crown & Pinion 8x39 R.4,88	1	74 Km/h	●				
29	298.837	74 20 885 777	Kit Crown & Pinion 8x41 R.5,13	1	70 Km/h	●				
29	298.838	74 20 885 779	Kit Crown & Pinion 7x37 R.5,29	1	68 Km/h	●				
29	298.839	74 20 885 780	Kit Crown & Pinion 7x39 R.5,57	1	64 Km/h	●				
29	298.840	74 20 885 781	Kit Crown & Pinion 7x41 R.5,86	1	61 Km/h	●				
30	287.104	74 20 521 372	Grooved nut	1		●				
31	287.103	74 20 820 300	Grooved nut	1		●				
32	130.977	74 20 820 291	Bearing	1		●				
33	130.970	74 20 820 296	Bearing	1		●				
34	199.331	74 85 102 084	Differential housing	1		●				
35	287.105	74 20 521 385	Screw	16		●				
36	167.126	74 20 438 626	Washer	16		●				
37	298.841	74 20 521 386	Differential kit	1		●				
38	298.508	74 20 883 658	Differential thrust washers kit	1		●				
39	122.203	74 20 521 401	Differential side gear	2		●				
40	269.910	74 20 521 374	Side gear thrust washer	2		●				
41	182.159	74 20 521 412	Differential side pinion	4		●				
42	269.912	74 20 521 403	Side pinion thrust washer	4		●				
43	133.273	74 20 521 415	Differential Spider	1		●				
44	154.487	74 08 220 460	Block sleeve	1		●				
45		74 20 820 249	Fork	1		●				
46		74 20 820 416	Spring	1		●				

Date

12/2015

Notes

(1) Not for ratio 8x37

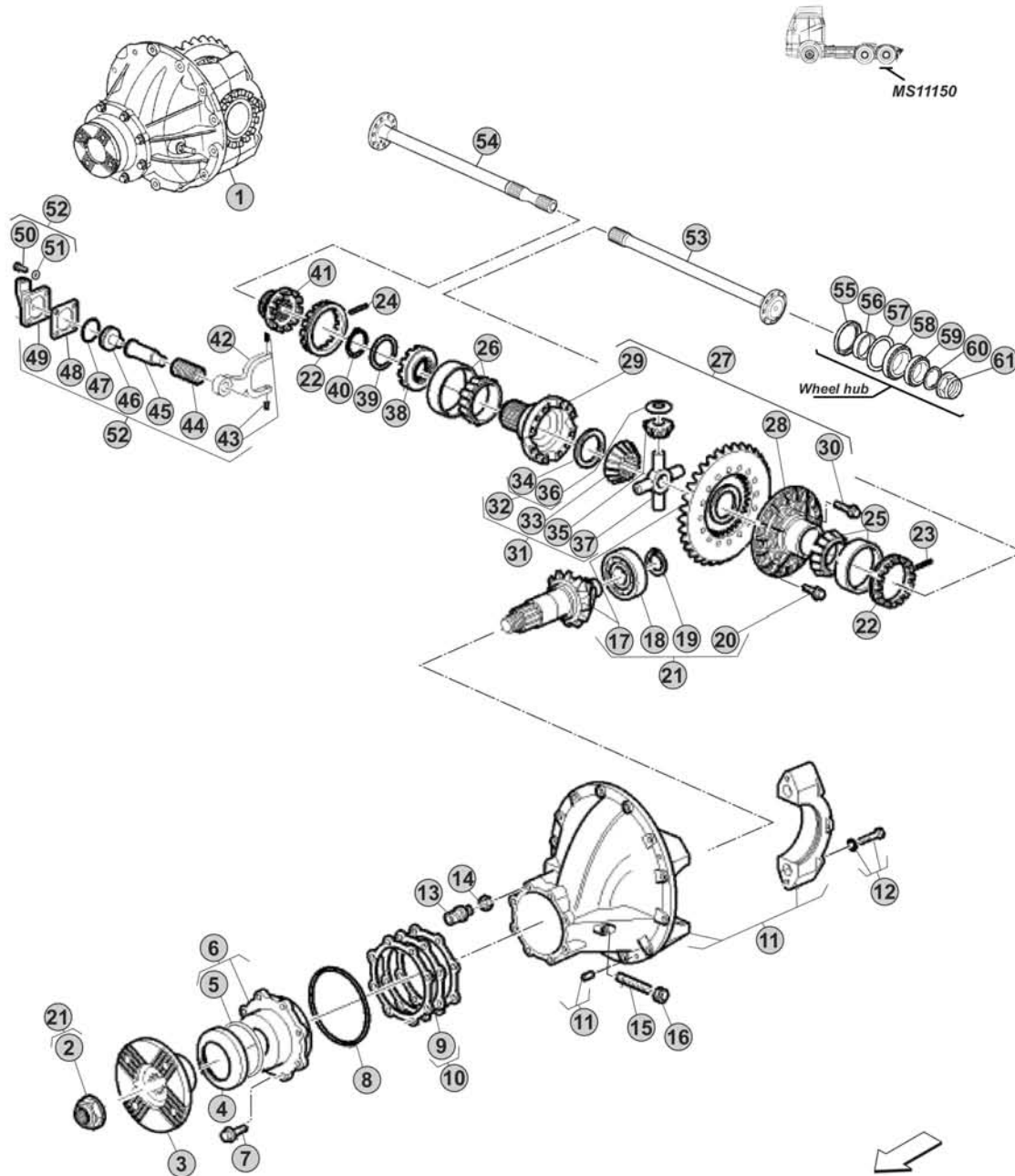
(2) Only for ratio 8x37

VERSIONS:

- REAR MS11150

APPLICATIONS:

- MIDLUM



Notes

[Empty space for notes]

Our spare parts are not the originals but interchangeable with the originals ones. All original equipment manufacturers' numbers, pictures and models used in this catalogue are for reference only. Our products bear our trade-mark.

Fig.	CEI no.	RENAULT no.	Description	Q.ty	Notes	MS11150				
1		74 20 729 736	Differential rear Assy 9x34 R.3,78	1	100 Km/h	●				
1		74 20 729 737	Differential rear Assy 8x33 R.4,13	1	92 Km/h	●				
1		74 20 729 738	Differential rear Assy 8x36 R.4,50	1	84 Km/h	●				
1		74 20 729 739	Differential rear Assy 7x36 R.5,14	1	73 Km/h	●				
1		74 20 729 740	Differential rear Assy 6x34 R.5,67	1	67 Km/h	●				
1		74 20 729 741	Differential rear Assy 6x37 R.6,17	1	61 Km/h	●				
2	187.707	74 20 366 534	Nut	1		●				
3	197.244	74 20 915 813	Flange	1		●				
4	139.936	74 08 171 128	Dust cover	1		●				
5	139.930	74 20 832 385	Oil Seal	1		●				
6	175.340	74 08 172 960	Bearings cage	1		●				
7		74 08 171 086	Screw	8		●				
8		74 08 172 966	O-Ring	1		●				
9		74 08 172 963	Thrust washer mm. 0,15	0		●				
9		74 08 172 964	Thrust washer mm. 0,20	0		●				
9		74 08 172 965	Thrust washer mm. 0,50	0		●				
10		74 20 512 865	Thrust washers kit	1		●				
11	199.271	74 08 172 945	Differential support housing	1		●				
12		74 85 102 443	Screws and washers kit	1		●				
13		74 03 181 941	Sensor	1		●				
14		74 20 758 014	Nut	1		●				
15		74 08 172 969	Screws kit	1		●				
16		74 08 172 271	Nut	1		●				
17	294.051	74 08 172 952	Crown & Pinion 8x33 R.4,13	1	92 Km/h	●				
17	294.053	74 08 172 954	Crown & Pinion 7x36 R.5,14	1	73 Km/h	●				
17	294.354	74 08 172 955	Crown & Pinion 6x34 R.5,67	1	67 Km/h	●				
17	294.355	74 20 521 453	Crown & Pinion 6x37 R.6,17	1	61 Km/h	●				
18	130.801	74 08 172 961	Bearing	1		●				
19	111.521	74 08 172 962	Seeger ring	1		●				
20	287.024	74 08 171 100	Screw	16		●				
21	294.015	74 20 508 644	Kit Crown & Pinion 9x34 R.3,78	1	100 Km/h	●				
21	294.016	74 20 508 645	Kit Crown & Pinion 8x33 R.4,13	1	92 Km/h	●				
21	294.017	74 20 508 646	Kit Crown & Pinion 8x36 R.4,50	1	84 Km/h	●				
21	294.183	74 20 508 647	Kit Crown & Pinion 7x36 R.5,14	1	73 Km/h	●				
21	294.019	74 20 593 224	Kit Crown & Pinion 6x34 R.5,67	1	67 Km/h	●				
21	294.185	74 20 593 226	Kit Crown & Pinion 6x37 R.6,17	1	61 Km/h	●				
22	187.708	74 08 171 088	Grooved nut	2		●				
23	160.340	74 08 171 090	Pin	1		●				
24	160.341	74 20 489 828	Pin	1		●				
25	130.352	74 20 582 548	Bearing	1		●				
26	130.353	74 20 582 549	Bearing	1		●				
27	199.333	74 20 508 616	Differential housing	1		●				
28	175.367	74 08 172 958	Differential half housing	1		●				

MS11150

Date

12/2015

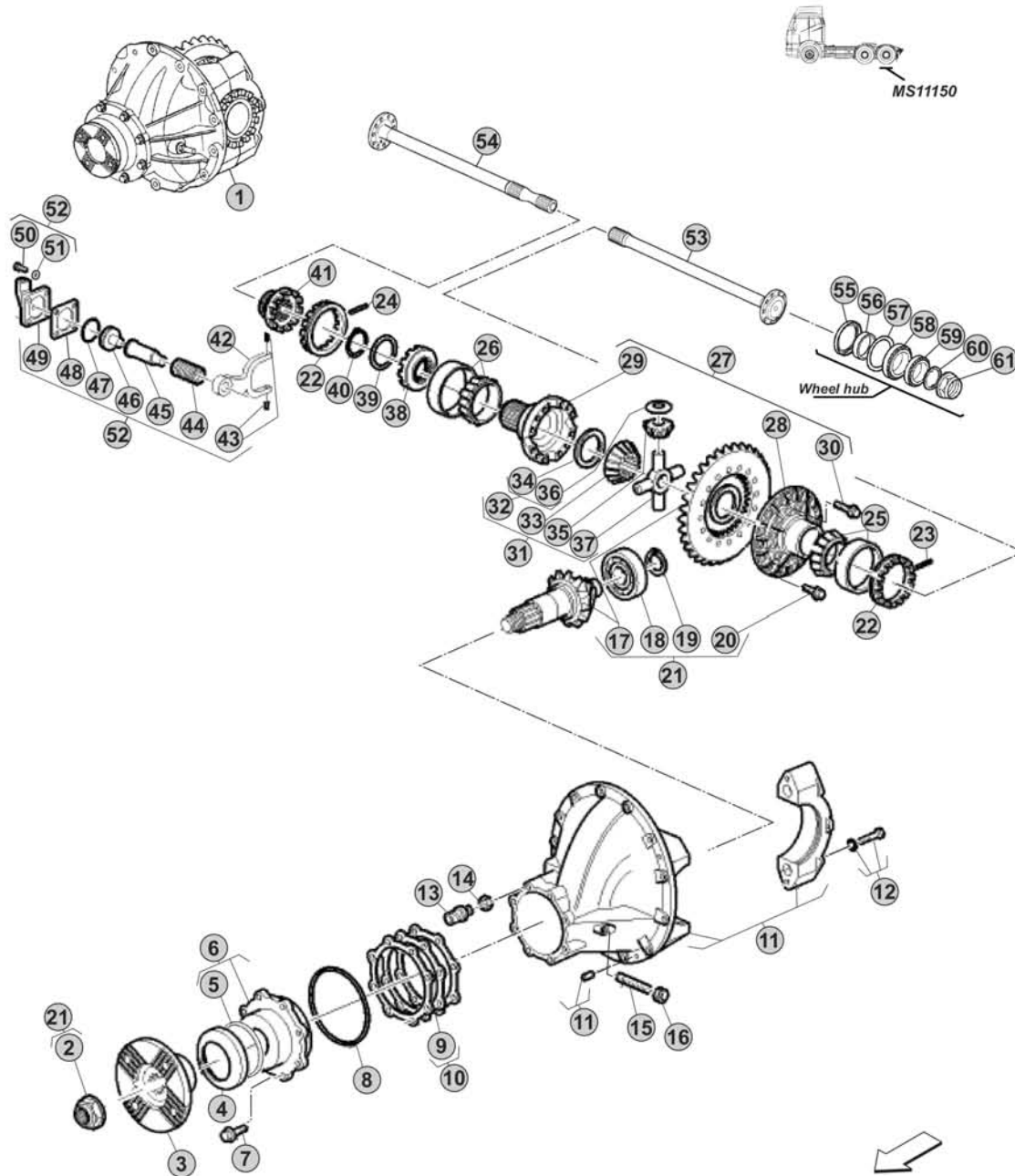
Notes

VERSIONS:

- REAR MS11150

APPLICATIONS:

- MIDLUM



Our spare parts are not the originals but interchangeable with the originals ones. All original equipment manufacturers' numbers, pictures and models used in this catalogue are for reference only. Our products bear our trade-mark.

Notes

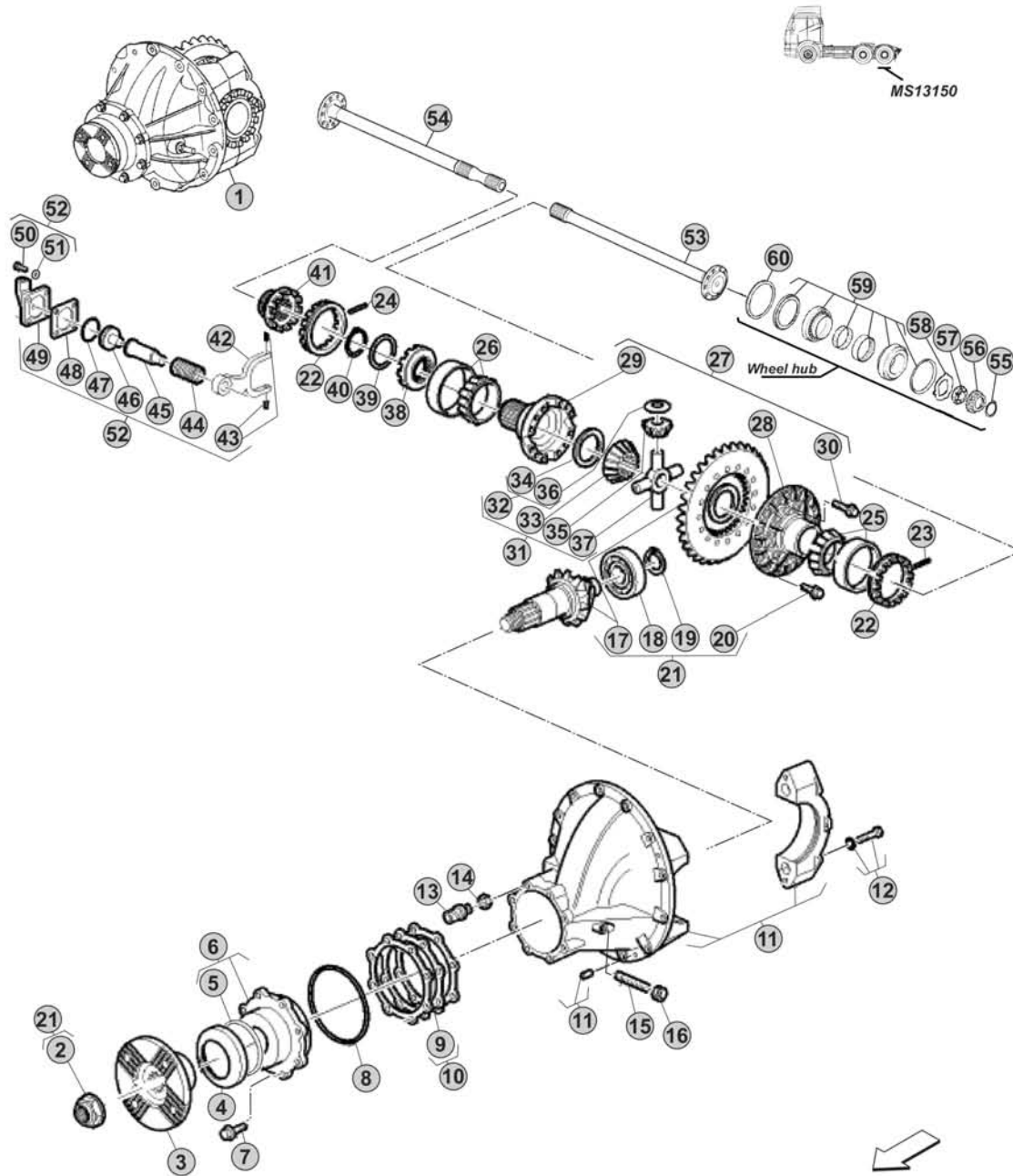


VERSIONS:

- REAR MS13150

APPLICATIONS:

- PREMIUM



Notes

[Empty grey box for notes]

Our spare parts are not the originals but interchangeable with the originals ones. All original equipment manufacturers' numbers, pictures and models used in this catalogue are for reference only. Our products bear our trade-mark.

Fig.	CEI no.	RENAULT no.	Description	Q.ty	Notes	MS13150				
1		74 20 729 736	Differential rear Assy 9x34 R.3,78	1	100 Km/h	●				
1		74 20 729 737	Differential rear Assy 8x33 R.4,13	1	92 Km/h	●				
1		74 20 729 738	Differential rear Assy 8x36 R.4,50	1	84 Km/h	●				
1		74 20 729 739	Differential rear Assy 7x36 R.5,14	1	73 Km/h	●				
1		74 20 729 740	Differential rear Assy 6x34 R.5,67	1	67 Km/h	●				
1		74 20 729 741	Differential rear Assy 6x37 R.6,17	1	61 Km/h	●				
2	187.707	74 20 366 534	Nut	1		●				
3	197.244	74 20 915 813	Flange	1		●				
4	139.936	74 08 171 128	Dust cover	1		●				
5	139.930	74 20 832 385	Oil Seal	1		●				
6	175.340	74 08 172 960	Bearings cage	1		●				
7		74 08 171 086	Screw	8		●				
8		74 08 172 966	O-Ring	1		●				
9		74 08 172 963	Thrust washer mm. 0,15	0		●				
9		74 08 172 964	Thrust washer mm. 0,20	0		●				
9		74 08 172 965	Thrust washer mm. 0,50	0		●				
10		74 20 512 865	Thrust washers kit	1		●				
11	199.271	74 08 172 945	Differential support housing	1		●				
12		74 85 102 443	Screws and washers kit	1		●				
13		74 03 181 941	Sensor	1		●				
14		74 20 758 014	Nut	1		●				
15		74 08 172 969	Screws kit	1		●				
16		74 08 172 271	Nut	1		●				
17	294.051	74 08 172 952	Crown & Pinion 8x33 R.4,13	1	92 Km/h	●				
17	294.053	74 08 172 954	Crown & Pinion 7x36 R.5,14	1	73 Km/h	●				
17	294.354	74 08 172 955	Crown & Pinion 6x34 R.5,67	1	67 Km/h	●				
17	294.355	74 20 521 453	Crown & Pinion 6x37 R.6,17	1	61 Km/h	●				
18	130.801	74 08 172 961	Bearing	1		●				
19	111.521	74 08 172 962	Seeger ring	1		●				
20	287.024	74 08 171 100	Screw	16		●				
21	294.015	74 20 508 644	Kit Crown & Pinion 9x34 R.3,78	1	100 Km/h	●				
21	294.016	74 20 508 645	Kit Crown & Pinion 8x33 R.4,13	1	92 Km/h	●				
21	294.017	74 20 508 646	Kit Crown & Pinion 8x36 R.4,50	1	84 Km/h	●				
21	294.183	74 20 508 647	Kit Crown & Pinion 7x36 R.5,14	1	73 Km/h	●				
21	294.019	74 20 593 224	Kit Crown & Pinion 6x34 R.5,67	1	67 Km/h	●				
21	294.185	74 20 593 226	Kit Crown & Pinion 6x37 R.6,17	1	61 Km/h	●				
22	187.708	74 08 171 088	Grooved nut	2		●				
23	160.340	74 08 171 090	Pin	1		●				
24	160.341	74 20 489 828	Pin	1		●				
25	130.352	74 20 582 548	Bearing	1		●				
26	130.353	74 20 582 549	Bearing	1		●				
27	199.333	74 20 508 616	Differential housing	1		●				
28	175.367	74 08 172 958	Differential half housing	1		●				

Date

12/2015

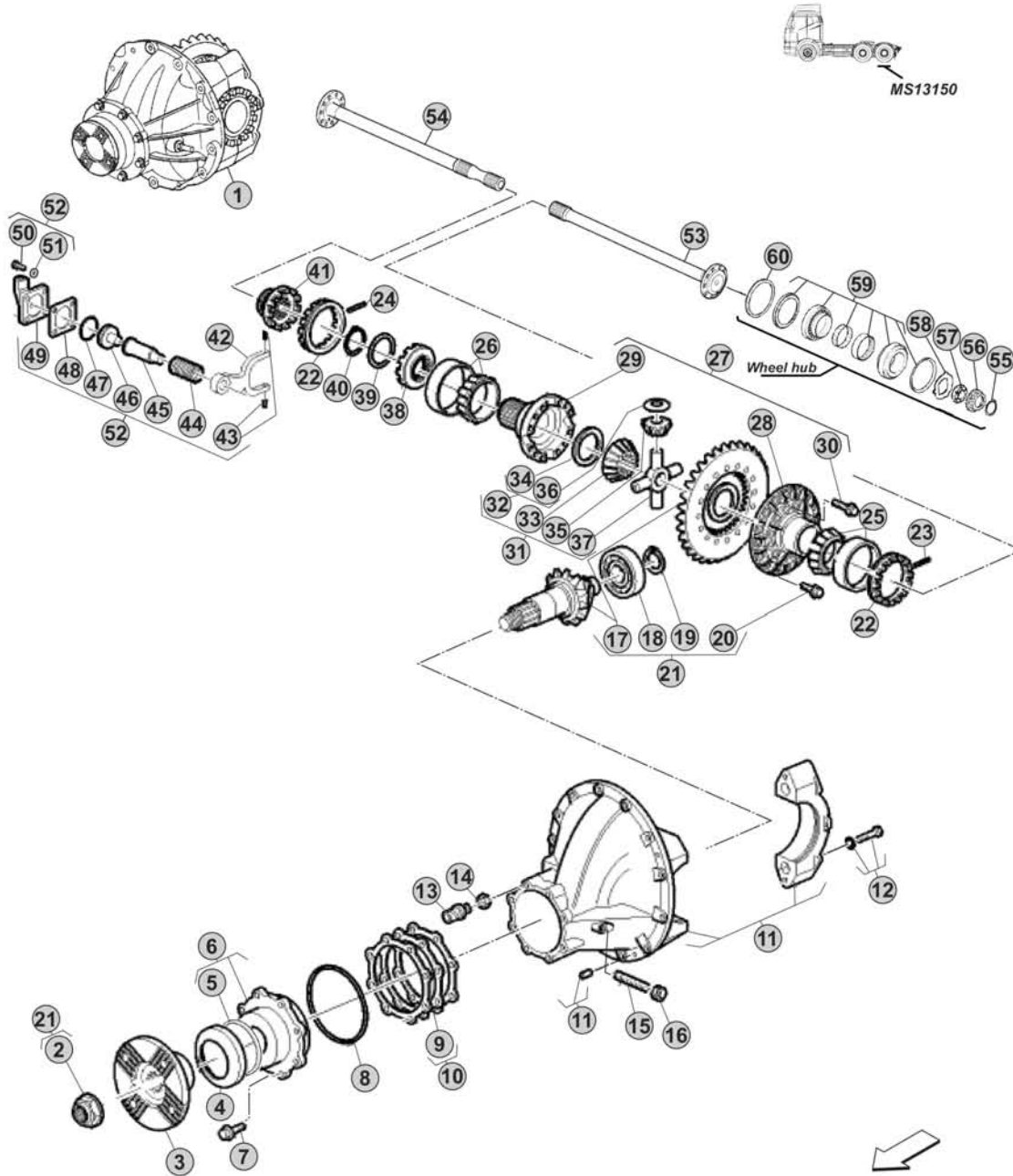
Notes

VERSIONS:

- REAR MS13150

APPLICATIONS:

- PREMIUM



Notes

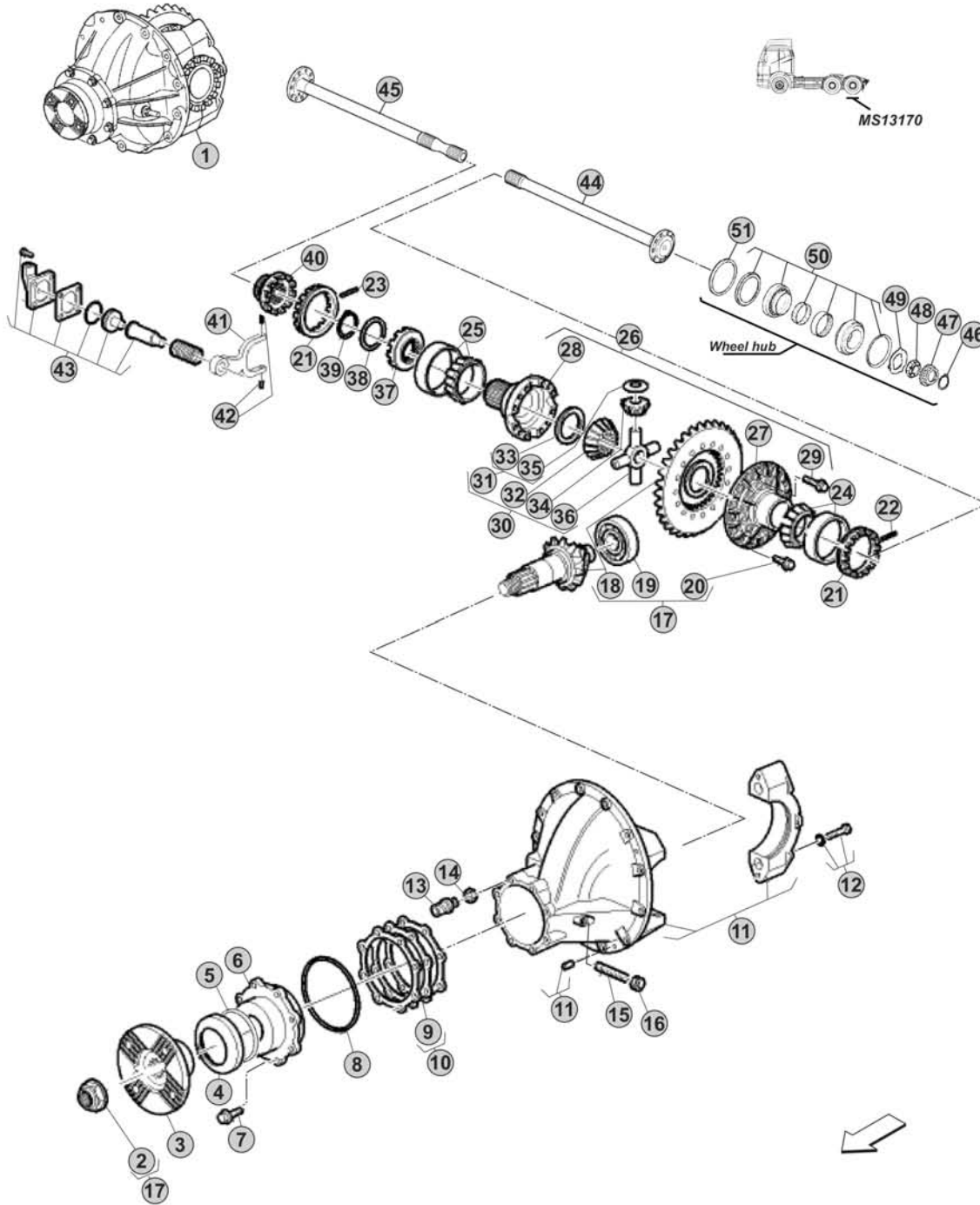
[Blank area for notes]

VERSIONS:

- REAR MS13170

APPLICATIONS:

- PREMIUM
- MAGNUM



Our spare parts are not the originals but interchangeable with the originals ones. All original equipment manufacturers' numbers, pictures and models used in this catalogue are for reference only. Our products bear our trade-mark.

Notes

Our spare parts are not the originals but interchangeable with the originals ones. All original equipment manufacturers' numbers, pictures and models used in this catalogue are for reference only. Our products bear our trade-mark.

Fig.	CEI no.	RENAULT no.	Description	Q.ty	Notes	MS13170				
1	280.686	74 20 701 293	Differential rear Assy 14x37 R.2,64	1	100 Km/h	●				
1	280.698	74 20 701 294	Differential rear Assy 13x37 R.2,85	1	93 Km/h	●				
1	280.699	74 20 701 295	Differential rear Assy 12x37 R.3,08	1	86 Km/h	●				
1	280.700	74 20 701 296	Differential rear Assy 11x37 R.3,36	1	79 Km/h	●				
1	280.701	74 20 701 297	Differential rear Assy 10x37 R.3,70	1	71 Km/h	●				
1	280.702	74 20 701 298	Differential rear Assy 9x37 R.4,11	1	64 Km/h	●				
1	280.703	74 20 701 299	Differential rear Assy 8x37 R.4,63	1	57 Km/h	●				
1	280.704	74 20 701 300	Differential rear Assy 7x37 R.5,29	1	50 Km/h	●				
1		74 20 732 132	Differential rear Assy 6x37 R.6,17	1	43 Km/h	●				
2	187.707	74 20 366 534	Nut	1		●				
3	197.135	74 20 706 811	Flange	1		●				
4	139.808	74 20 701 292	Dust cover	1		●				
5	139.930	74 20 832 385	Oil Seal	1		●				
6	175.361	74 20 366 532	Bearings cage	1		●				
7		74 08 171 086	Screw	8		●				
8	139.811	74 08 171 082	O-Ring	1		●				
9		74 08 171 083	Thrust washer	0		●				
9		74 08 171 084	Thrust washer	0		●				
9		74 08 171 085	Thrust washer	0		●				
10	298.144	74 03 096 278	Thrust washers kit	1		●				
11	199.270	74 20 366 530	Differential support housing	1		●				
12		74 85 102 443	Screws and washers kit	1		●				
13		74 03 181 941	Sensor	1		●				
14		74 00 190 734	Nut	1		●				
15		74 08 172 969	Screws kit	1		●				
16		74 08 172 271	Nut	1		●				
17	194.976	74 20 546 068	Kit Crown & Pinion 14x37 R.2,64	1	(1) 100 Km/h	●				
17	294.374	74 85 102 436	Kit Crown & Pinion 13x37 R.2,85	1	(2) 93 Km/h	●				
17	294.375	74 85 102 437	Kit Crown & Pinion 12x37 R.3,08	1	(2) 86 Km/h	●				
17	194.895	74 85 102 438	Kit Crown & Pinion 11x37 R.3,36	1	(2) 79 Km/h	●				
17	194.978	74 85 102 439	Kit Crown & Pinion 10x37 R.3,70	1	(3) 71 Km/h	●				
17	194.979	74 85 102 440	Kit Crown & Pinion 9x37 R.4,11	1	(3) 64 Km/h	●				
17	194.980	74 85 102 441	Kit Crown & Pinion 8x37 R.4,63	1	(4) 57 Km/h	●				
17	294.376	74 85 102 442	Kit Crown & Pinion 7x37 R.5,29	1	(4) 50 Km/h	●				
18	194.898	74 20 531 032	Crown & Pinion 14x37 R.2,64	1	(1) 100 Km/h	●				
18	194.897	74 08 172 093	Crown & Pinion 13x37 R.2,85	1	(2) 93 Km/h	●				
18	194.896	74 20 366 524	Crown & Pinion 12x37 R.3,08	1	(2) 86 Km/h	●				
18	194.977	74 20 366 525	Crown & Pinion 11x37 R.3,36	1	(2) 79 Km/h	●				
18	194.894	74 20 366 526	Crown & Pinion 10x37 R.3,70	1	(3) 71 Km/h	●				
18	194.893	74 20 366 527	Crown & Pinion 9x37 R.4,11	1	(3) 64 Km/h	●				
18	194.892	74 20 366 528	Crown & Pinion 8x37 R.4,63	1	(4) 57 Km/h	●				
18	194.981	74 20 366 529	Crown & Pinion 7x37 R.5,29	1	(4) 50 Km/h	●				
18	294.377	74 85 114 390	Crown & Pinion 6x37 R.6,17	1	43 Km/h	●				

Date

12/2015

Notes

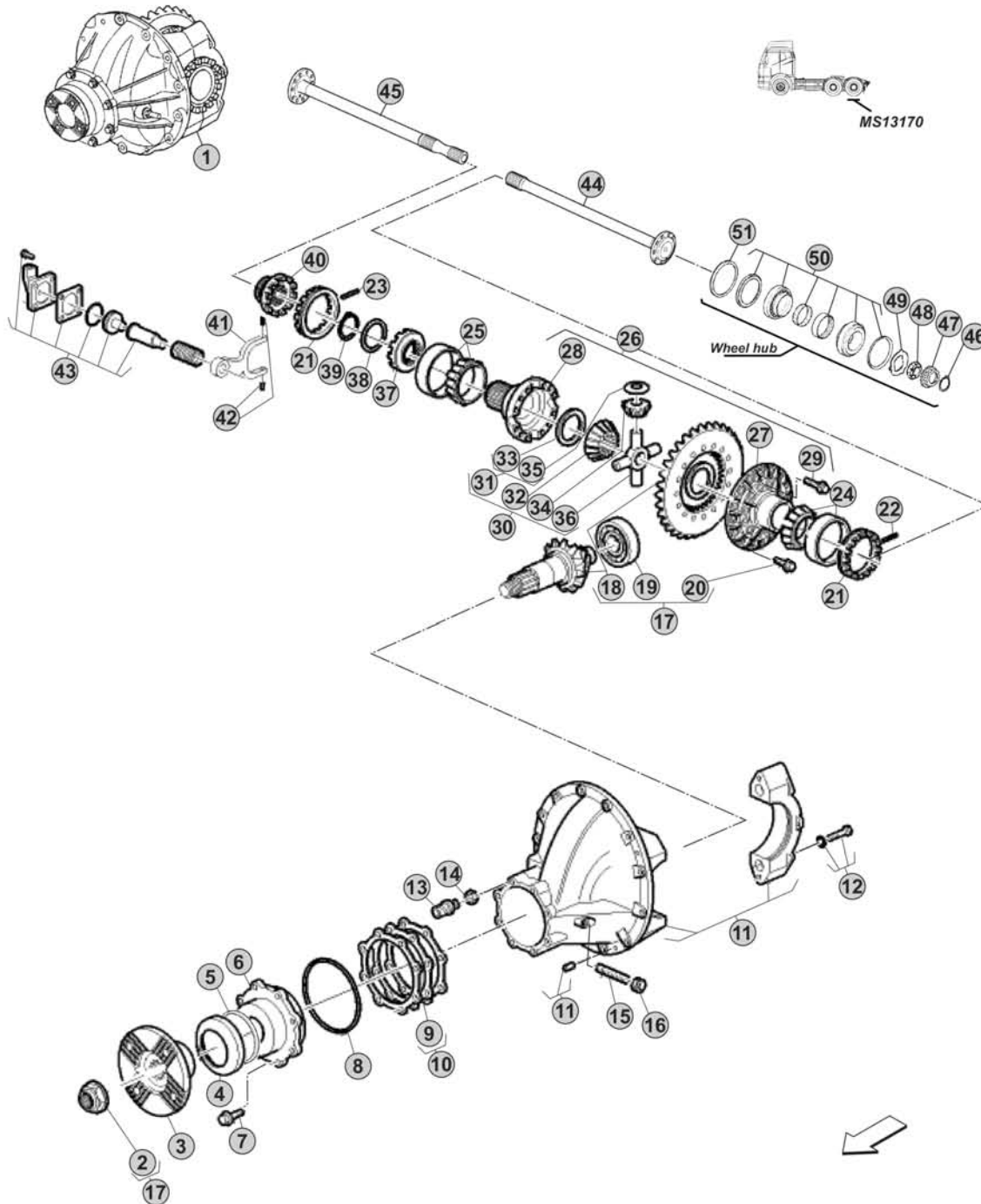
- (1) To be coupled together
- (2) To be coupled together
- (3) To be coupled together
- (4) To be coupled together

VERSIONS:

- REAR MS13170

APPLICATIONS:

- PREMIUM
- MAGNUM



Our spare parts are not the originals but interchangeable with the originals ones. All original equipment manufacturers' numbers, pictures and models used in this catalogue are for reference only. Our products bear our trade-mark.

Notes

Our spare parts are not the originals but interchangeable with the originals ones. All original equipment manufacturers' numbers, pictures and models used in this catalogue are for reference only. Our products bear our trade-mark.

Fig.	CEI no.	RENAULT no.	Description	Q.ty	Notes	MS13170				
19	130.165	74 20 366 533	Bearing	1		●				
20	287.024	74 08 171 100	Screw	16		●				
21	187.708	74 08 171 088	Grooved nut	2		●				
22	160.340	74 08 171 090	Pin	1		●				
23	160.341	74 20 489 828	Pin	1		●				
24	130.352	74 20 582 548	Bearing	1		●				
25	130.353	74 20 582 549	Bearing	1		●				
26	199.163	74 85 108 860	Differential housing	1 (1)		●				
26	199.272	74 85 102 297	Differential housing	1 (2)		●				
26	199.273	74 85 102 298	Differential housing	1 (3)		●				
26	199.274	74 85 103 861	Differential housing	1 (4)		●				
27	175.326	74 20 531 033	Differential half housing	1 (1)		●				
27	175.362	74 08 171 097	Differential half housing	1 (2)		●				
27	175.363	74 08 171 098	Differential half housing	1 (3)		●				
27	175.364	74 08 171 099	Differential half housing	1 (4)		●				
28	175.278	74 20 366 531	Differential half housing	1		●				
29	287.025	74 08 171 089	Screw	12		●				
30	298.077	74 21 165 975	Differential kit	1		●				
31	298.143	74 21 140 375	Differential thrust washers kit	1		●				
32	122.110	74 08 171 095	Differential side gear	2		●				
33	169.845	74 08 171 096	Side gear thrust washer	2		●				
34	182.082	74 08 171 093	Differential side pinion	4		●				
35	169.846	74 08 171 094	Side pinion thrust washer	4		●				
36	133.131	74 08 171 092	Differential Spider	1		●				
37	154.396	74 01 522 099	Sleeve	1		●				
38	269.907	74 01 522 102	Thrust washer	1		●				
39	111.523	74 08 172 159	Seeger ring	1		●				
40	154.263	74 20 366 536	Block sleeve	1		●				
41		74 20 366 537	Fork	1		●				
42		74 08 171 101	Pin	2		●				
43		74 85 103 263	Differential lock control	1		●				
44	170.221	74 08 172 096	Drive shaft	1		●				
45	170.222	74 08 172 097	Drive shaft	1		●				
46	111.522	74 00 945 506	Seeger ring	1		●				
47		74 08 157 714	Lock plate	1		●				
48		74 01 076 335	Nut	1		●				
49		74 21 806 589	Washer	1		●				
50	131.600	74 21 036 050	Bearing	1		●				
51		74 20 424 109	Disk	1		●				

MS13170

Date

12/2015

Notes

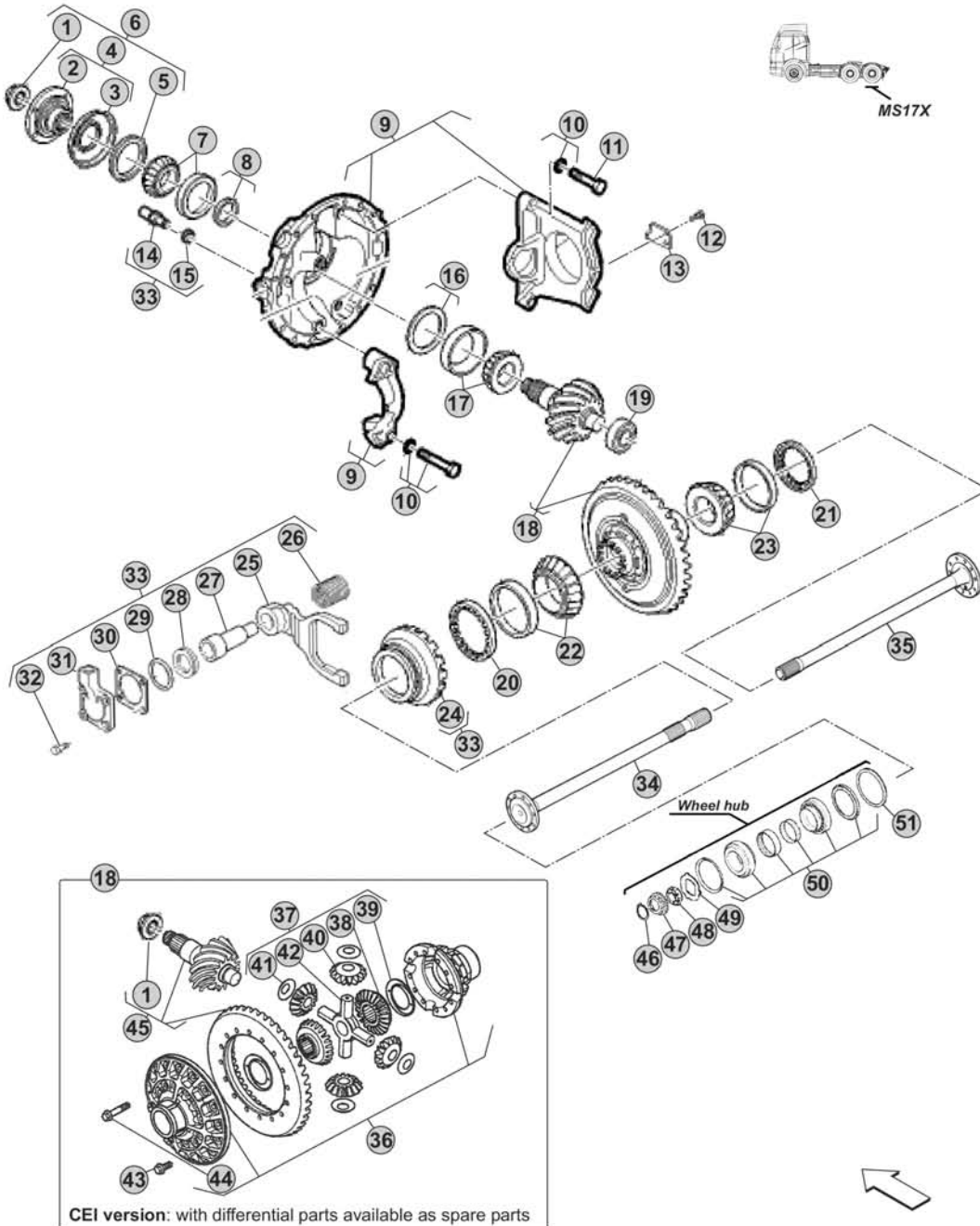
- (1) To be coupled together
 (2) To be coupled together
 (3) To be coupled together
 (4) To be coupled together

VERSIONS:

- REAR MS17X

APPLICATIONS:

- PREMIUM
- MAGNUM



Our spare parts are not the originals but interchangeable with the originals ones. All original equipment manufacturers' numbers, pictures and models used in this catalogue are for reference only. Our products bear our trade-mark.

Notes

Our spare parts are not the originals but interchangeable with the originals ones. All original equipment manufacturers' numbers, pictures and models used in this catalogue are for reference only. Our products bear our trade-mark.

Fig.	CEI no.	RENAULT no.	Description	Q.ty	Notes	MS17X				
1	187.707	74 20 366 534	Nut	1		●				
2	197.135	74 20 706 811	Flange	1		●				
3	139.808	74 20 701 292	Dust cover	1		●				
4	197.295	74 20 862 740	Flange	1		●				
5	139.930	74 20 832 385	Oil Seal	1		●				
6	197.237	74 20 998 390	Flange kit	1		●				
7	130.950	74 20 853 465	Bearing	1		●				
8	269.631	74 21 019 588	Spacers kit	1		●				
9	199.341	74 20 854 096	Differential support housing	1		●				
10		74 85 102 443	Screws and washers kit	1		●				
11		74 20 854 078	Screw	2		●				
12		74 21 032 296	Screw	2		●				
13		74 21 032 278	Lock plate	2		●				
14		74 03 181 941	Sensor	1		●				
15		74 00 190 734	Nut	1		●				
16	269.632	74 21 019 988	Thrust washers kit	1		●				
17	130.979	74 20 899 928	Bearing	1		●				
18	294.195	74 21 597 138	Kit Crown & Pinion 14x37 R.2,64	1	(4-10) OEM version 100 Km/h	●				
18	294.204	CEI7421597138	Kit Crown & Pinion 14x37 R.2,64	1	(5) CEI version 100 Km/h	●				
18	294.194	74 21 597 139	Kit Crown & Pinion 13x37 R.2,85	1	(4-10) OEM version 93 Km/h	●				
18	294.203	CEI7421597139	Kit Crown & Pinion 13x37 R.2,85	1	(5) CEI version 93 Km/h	●				
18	294.193	74 21 597 140	Kit Crown & Pinion 12x37 R.3,08	1	(4-10) OEM version 86 Km/h	●				
18	294.202	CEI7421597140	Kit Crown & Pinion 12x37 R.3,08	1	(5) CEI version 86 Km/h	●				
18	294.192	74 21 597 141	Kit Crown & Pinion 11x37 R.3,36	1	(4-10) OEM version 79 Km/h	●				
18	294.201	CEI7421597141	Kit Crown & Pinion 11x37 R.3,36	1	(5) CEI version 79 Km/h	●				
18	294.191	74 21 597 142	Kit Crown & Pinion 10x37 R.3,70	1	(4-10) OEM version 71 Km/h	●				
18	294.200	CEI7421597142	Kit Crown & Pinion 10x37 R.3,70	1	(5) CEI version 71 Km/h	●				
18	294.190	74 21 597 143	Kit Crown & Pinion 9x37 R.4,11	1	(4-10) OEM version 64 Km/h	●				
18	294.199	CEI7420998298	Kit Crown & Pinion 9x37 R.4,11	1	(5) CEI version 64 Km/h	●				
18	294.189	74 21 597 144	Kit Crown & Pinion 8x37 R.4,63	1	(4-10) OEM version 57 Km/h	●				
18	294.198	CEI7420998302	Kit Crown & Pinion 8x37 R.4,63	1	(5) CEI version 57 Km/h	●				
18	294.187	74 21 597 145	Kit Crown & Pinion 7x37 R.5,29	1	(4-10) OEM version 50 Km/h	●				
18	294.197	CEI7420998308	Kit Crown & Pinion 7x37 R.5,29	1	(5) CEI version 50 Km/h	●				
19	130.165	74 20 366 533	Bearing	1		●				
20	287.099	74 20 853 951	Grooved nut	1		●				
21	287.100	74 20 862 717	Grooved nut	1		●				
22	130.980	74 20 853 752	Bearing	1		●				
23	130.352	74 20 582 548	Bearing	1		●				
24	154.264	74 20 958 896	Block sleeve	1		●				
25	141.239	74 20 853 722	Fork	1	(6)	●				
25		74 20 958 893	Fork	1	(7)	●				
26		74 20 438 665	Spring	1		●				
27		74 22 104 773	Gear shift rail	1		●				

MS17X

Date

12/2015

Notes

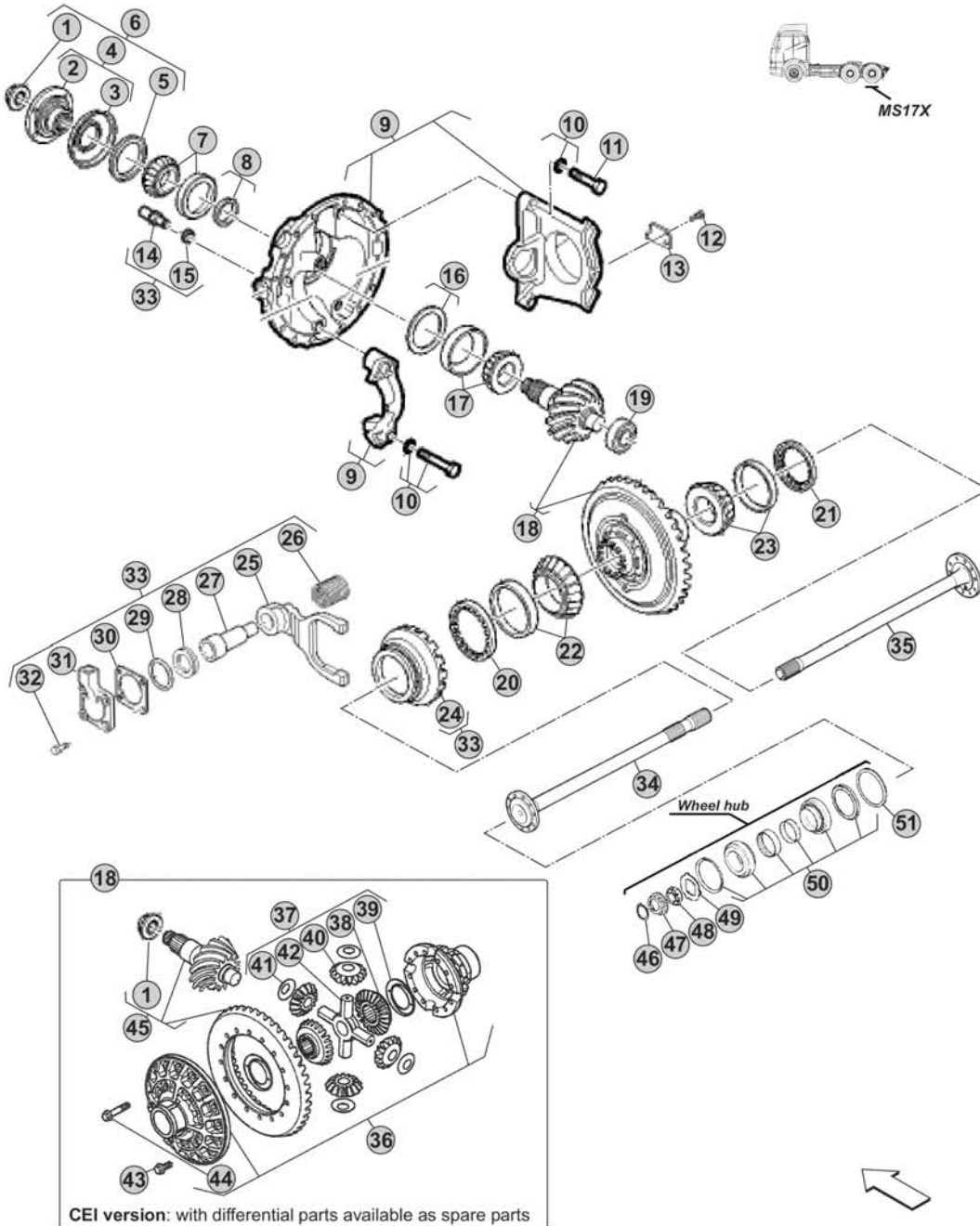
- (4) OEM version: with differential welded on crown
 (10) Includes also nut CEI no. 187.707 (Pos. 1) and oil seal CEI no. 139.930 (Pos. 5)
 (5) CEI version: with differential parts available as spare parts
 (6) For differential lock control OEM no. 74 22 293 812 (Pos. 33)
 (7) For differential lock control OEM no. 74 21 650 725 (Pos. 33)

VERSIONS:

- REAR MS17X

APPLICATIONS:

- PREMIUM
- MAGNUM



Our spare parts are not the originals but interchangeable with the originals ones. All original equipment manufacturers' numbers, pictures and models used in this catalogue are for reference only. Our products bear our trade-mark.

Notes

