

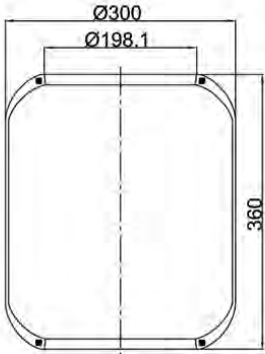
Frenotruck Nr.	O.E.M. Nr.	Dimension	Application
F 55644	000 327 01 01 Mercedes	EN Air Spring	644 N Contitech
	000 327 02 01 Mercedes		1E21 Phoenix
	307 327 01 01 Mercedes	DE	8017 Goodyear
	307 327 00 01 Mercedes		W01050118 Firestone
	613 327 00 01 Mercedes	FR	1R1A390-295 Firestone
	327 328 00 01 Mercedes		1S285-24 CF Gomma
	307 328 00 01 Mercedes	ES	3644 Airtech
	81.43601.0017 Man		896 130 105 4 Wabco
	1134445 Volvo	PT	MLF7001 Meritor
	1199893 Volvo		
	1199890 Volvo	RU	
	3159252 Volvo		
	0689677 Daf	AR	
	02.2002.44.00 Bergische Achsen		
	1001.103.00 Neoplan		
	1001.122.54 Neoplan		
	4.771.143.000 Kassbohrer		
	4.771.170.000 Kassbohrer		
	4.771.441.000 Kassbohrer		



Frenotruck Nr.	O.E.M. Nr.	Dimension	Application
F 55661	613 327 02 01 Mercedes	EN Air Spring	661 N Contitech
	90.83112.0144 Man		1E25 Phoenix
	1137888 Volvo	DE	8018 Goodyear
	4746733 Iveco		W010950021 Firestone
	41822247 Iveco	FR	1R1C390-310 Firestone
	5001 829 866 R.v.i.	ES	1S310-28 CF Gomma
	1001.122.50 Neoplan		3661 Airtech
	AA 10-01-001 Neoplan	PT	896 130 117 4 Wabco
	4.731.012.000 Kassbohrer		MLF7000 Meritor
	4.731.031.000 Kassbohrer	RU	
	4.771.427.000 Kassbohrer		
	4.771.440.000 Kassbohrer	AR	
	750208 Schmitz		



Frenotruck Nr.	O.E.M. Nr.	Dimension	Application
F 55662	81.43601.0018 Man	EN Air Spring	662 N Contitech
	81.43601.0051 Man		1E32 Phoenix
	88.43601.2206 Man	DE	9007 Goodyear
	36.43601.0006 Man		W010950207 Firestone
	0578361 Daf	FR	1R1D355-355 Firestone
	02.2002.46.00 Bergische Achsen	ES	1SC360-30 CF Gomma
	1001.102.00 Neoplan		3662 Airtech
	1001.122.51 Neoplan	PT	896 130 126 4 Wabco
	AA 10-01-002 Neoplan		MLF7089 Meritor
	750209 Schmitz	RU	
		AR	



AIR SUSPENSION

Air Spring

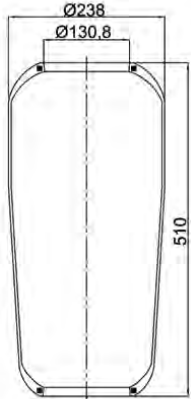
Application	Dimension	O.E.M. Nr.	Frenotruck Nr.
673 N	Contitech (EN) Air Spring	383 327 00 01	Mercedes
1F21A	Phoenix	621 328 00 01	Mercedes
9051	Goodyear (DE)	1611776	Volvo
W010950198	Firestone	0627584	Daf
1R1A370-285	Firestone (FR)		
1SC285-22	CF Gomma		
3673	Airtech (ES)		
896 130 007 4	Wabco		
MLF7006	Meritor (PT)		
	(RU)		
	(AR)		



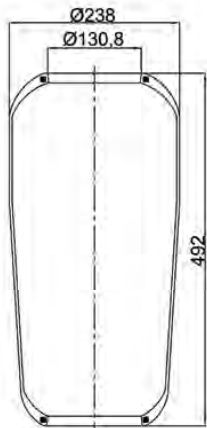
Application	Dimension	O.E.M. Nr.	Frenotruck Nr.
701 N	Contitech (EN) Air Spring	-	F 55701
1E26	Phoenix		
9006	Goodyear (DE)		
W010950205	Firestone		
1R3M340-340	Firestone (FR)		
3701	Airtech		
896 130 156 4	Wabco (ES)		
MLF7155	Meritor (PT)		
	(RU)		
	(AR)		



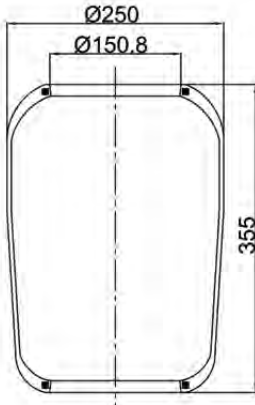
Application	Dimension	O.E.M. Nr.	Frenotruck Nr.
706 N1	Contitech (EN) Air Spring	81.43601.0096	Man
9067	Goodyear	81.43601.0098	Man
3706	Airtech (DE)	81.43601.0101	Man
896 130 159 4	Wabco (FR)	81.43601.0127	Man
	(ES)	81.43601.0139	Man
	(PT)	81.43601.0144	Man
	(RU)		
	(AR)		



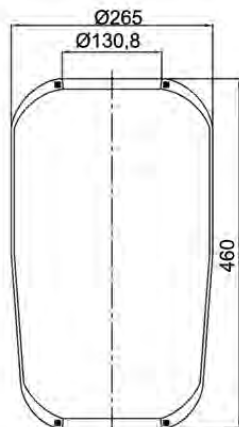
Frenotruck Nr.	O.E.M. Nr.	Dimension	Application
F 55713	1622116 Volvo	(EN) Air Suspension	713 N Contitech
	6797169 Volvo		1F21D Phoenix
	1590136 Volvo	(DE)	9066 Goodyear
		(FR)	3713 Airtech
		(ES)	896 130 158 4 Wabco
		(PT)	MLF7147 Meritor
		(RU)	
		(AR)	



Frenotruck Nr.	O.E.M. Nr.	Dimension	Application
F 55715	363 328 00 01 Mercedes	(EN) Air Suspension	715 N Contitech
	81.43601.0059 Man		1F25 Phoenix
	81.43601.0060 Man	(DE)	8015 Goodyear
	81.43601.0061 Man	(FR)	W010950087 Firestone
	81.43601.0081 Man	(ES)	1R1C335-310 Firestone
	81.43601.0083 Man	(PT)	1SC310-16 CF Gomma
	81.43601.0090 Man	(RU)	896 130 169 4 Wabco
	81.43601.0113 Man	(AR)	MLF7158 Meritor
	81.43601.0115 Man		3715 Airtech
	81.43601.0117 Man		
	81.43601.0075 Man		
	81.43601.0078 Man		
	0659561 Daf		
	4456111 Iveco		
	4763473 Iveco		
	5000 819 517 R.v.i.		



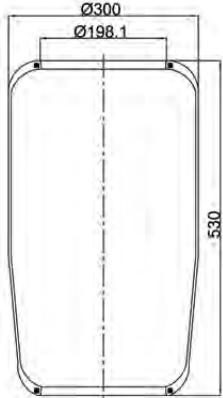
Frenotruck Nr.	O.E.M. Nr.	Dimension	Application
F 55716	1593842 Volvo	(EN) Air Suspension	716 N Contitech
	81.43601.0039 Man		1F26B-1 Phoenix
	81.43601.0040 Man	(DE)	9073 Goodyear
		(FR)	W010950145 Firestone
		(ES)	1R2A450-305 Firestone
		(PT)	1SC300-34 CF Gomma
		(RU)	B197 Taurus
		(AR)	3716 Airtech
			896 130 162 4 Wabco



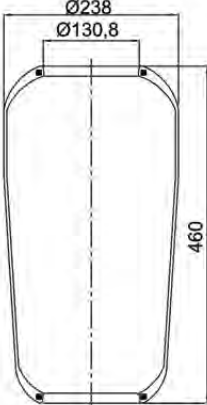
AIR SUSPENSION

Air Spring

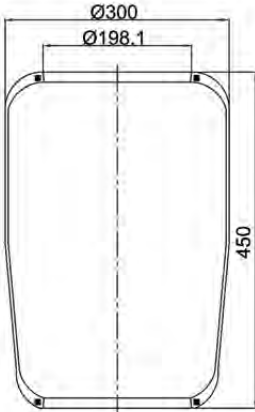
Application	Dimension	O.E.M. Nr.	Frenotruck Nr.
719 N	Contitech (EN) Air Suspension	0818225	Daf
1F32B	Phoenix	02.2002.40.00	Bergische Achsen
8118	Goodyear (DE)	1001.101.00	Neoplan
W010950192	Firestone	1021.002.00	Neoplan
1R2D530-360	Firestone (FR)	4.731.032.000	Kassbohrer
1SC360-43	CF Gomma	0196036	Sae-Gigant
3719	Airtech (ES)	750215	Schmitz
MLF7156	Meritor		
	(PT)		
	(RU)		
	(AR)		



Application	Dimension	O.E.M. Nr.	Frenotruck Nr.
720 N	Contitech (EN) Air Suspension	387 328 01 01	Mercedes
1F21	Phoenix	387 328 00 01	Mercedes
9008	Goodyear (DE)	81.43601.0033	Man
W010950195	Firestone	81.43601.0036	Man
1R2A460-295	Firestone (FR)	81.43601.0037	Man
1SC290-30	CF Gomma	1629193	Volvo
3720	Airtech (ES)	02.2002.41.00	Bergische Achsen
896 130 013 4	Wabco	1001.123.00	Neoplan
MLF7004	Meritor		
	(PT)		
	(RU)		
	(AR)		



Application	Dimension	O.E.M. Nr.	Frenotruck Nr.
727 N	Contitech (EN) Air Suspension	81.43601.0056	Man
8117	Goodyear	81.43601.0057	Man
W010950191	Firestone (DE)	81.43601.0058	Man
1R2D 460-360	Firestone	81.43601.0076	Man
1SC360-34	CF Gomma (FR)	81.43601.0079	Man
3727	Airtech	81.43601.0082	Man
896 130 125 4	Wabco (ES)	81.43601.0084	Man
MLF7003	Meritor	81.43601.0091	Man
	(PT)	81.43601.0114	Man
	(RU)	81.43601.0116	Man
	(AR)	81.43601.0118	Man
		0638148	Daf
		0196043	Sae-Gigant

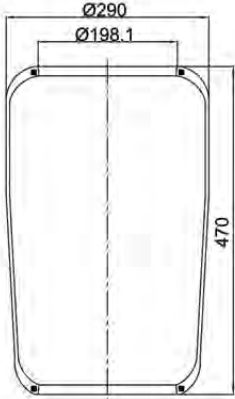




AIR SUSPENSION

Air Spring

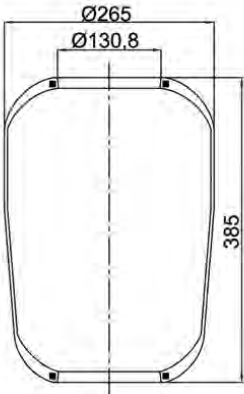
Frenotruck Nr.	O.E.M. Nr.		Dimension	Application	
F 55728	750212	Schmitz	EN Air Spring	728 N 1F32A W010950419 1R2D470-360 3728	Contitech Phoenix Firestone Firestone Airtech
			DE		
			FR		
			ES		
			PT		
			RU		
			AR		



Frenotruck Nr.	O.E.M. Nr.		Dimension	Application	
F 55737	393 328 01 01 393 328 02 01	Mercedes Mercedes	EN Air Spring	737 N 1F26 9075 W010950211 1R1A480-330 1S320-23 3737 896 130 164 4	Contitech Phoenix Goodyear Firestone Firestone CF Gomma Airtech Wabco
			DE		
			FR		
			ES		
			PT		
			RU		
			AR		



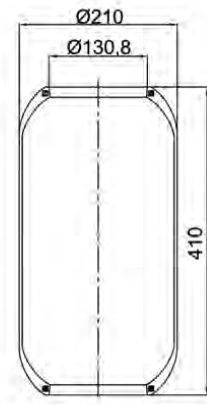
Frenotruck Nr.	O.E.M. Nr.		Dimension	Application	
F 55757	363 328 02 01	Mercedes	EN Air Spring	757 N 1F26C 9077 W010950212 1R2A380-305 3757 896 130 166 4	Contitech Phoenix Goodyear Firestone Firestone Airtech Wabco
			DE		
			FR		
			ES		
			PT		
			RU		
			AR		



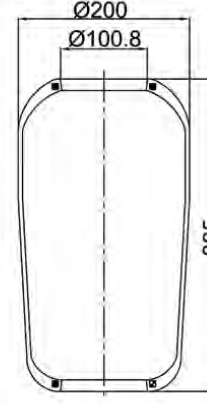
AIR SUSPENSION

Air Spring

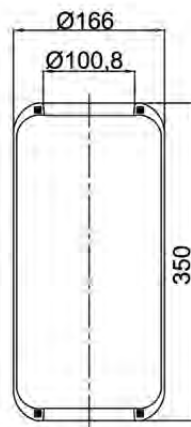
Application	Dimension	O.E.M. Nr.	Frenotruck Nr.
782 N	Contitech (EN) Air Spring	5000 954 176	R.v.i.
9013	Goodyear		
W010950197	Firestone (DE)		
1R1A415-285	Firestone		
285-25C	CF Gomma (FR)		
1S270-25C	Pirelli		
3782	Airtech (ES)		
896 130 124 4	Wabco		
MLF7005	Meritor (PT)		
	(RU)		
	(AR)		



Application	Dimension	O.E.M. Nr.	Frenotruck Nr.
786 N	Contitech (EN) Air Spring	81.43601.0053	Man
1F14	Phoenix		
W010950436	Firestone (DE)		
1R2S355-245	Firestone		
3786	Airtech (FR)		
	(ES)		
	(PT)		
	(RU)		
	(AR)		



Application	Dimension	O.E.M. Nr.	Frenotruck Nr.
819 N	Contitech (EN) Air Spring	000 328 01 01	Mercedes
1E14	Phoenix		
3819	Airtech (DE)		
MLF7119	Meritor (FR)		
	(ES)		
	(PT)		
	(RU)		
	(AR)		

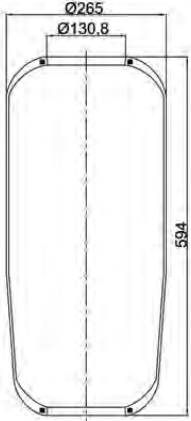




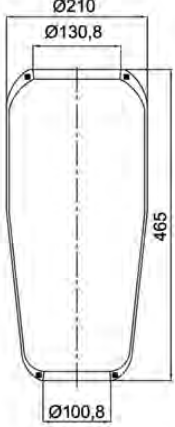
AIR SUSPENSION

Air Spring

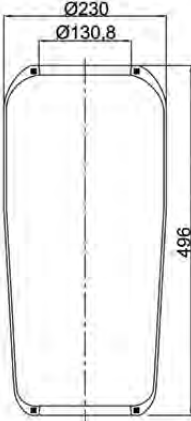
Frenotruck Nr.	O.E.M. Nr.		Dimension	Application
F 55838	674 328 00 01	Mercedes	EN Air Spring	838 N Contitech
				1F26D Phoenix
			DE	9074 Goodyear
				3838 Airtech
			FR	896 130 163 4 Wabco
				MLF7159 Meritor
			ES	
			PT	
			RU	
			AR	



Frenotruck Nr.	O.E.M. Nr.		Dimension	Application		
F 55882	699 328 01 01	Mercedes	EN Air Spring	882 N1 Contitech		
				1F16 Phoenix		
			DE	9048 Goodyear		
				W010950435 Firestone		
			FR	1R4R465-260 Firestone		
				1SC250-28 CF Gomma		
			ES	3882 Airtech		
				896 130 008 4 Wabco		
			PT	MLF7013 Meritor		
			RU			
			AR			
				81.43601.0065 Man		
				81.43601.0067 Man		
				81.43601.0070 Man		
	81.43601.0092 Man					
	81.43601.0099 Man					
	81.43601.0103 Man					
	81.43601.0121 Man					
	81.43601.0132 Man					
	81.43601.0129 Man					
	81.43601.0136 Man					
	81.43601.0100 Man					



Frenotruck Nr.	O.E.M. Nr.		Dimension	Application
F 55883	81.43601.0071	Man	EN Air Spring	883 N1 Contitech
				1F21C-2 Phoenix
			DE	9012 Goodyear
				1SC250-29 CF Gomma
			FR	3883 Airtech
				896 130 123 4 Wabco
			ES	MLF7088 Meritor
			PT	
			RU	
			AR	
	81.43601.0072 Man			
	81.43601.0110 Man			
	81.43601.0128 Man			
	1082085 Volvo			

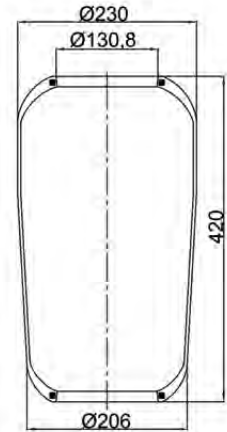




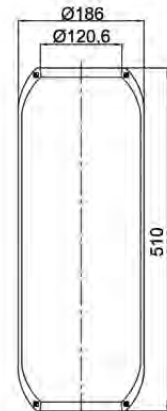
AIR SUSPENSION

Air Spring

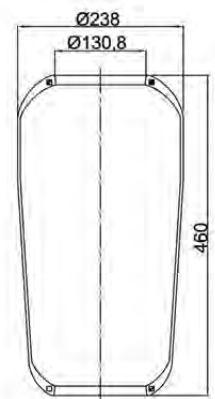
Application	Dimension	O.E.M. Nr.	Frenotruck Nr.
884 N	Contitech (EN) Air Spring	81.43601.0106 Man	F 55884
1F20A	Phoenix	81.43601.0125 Man	
9002	Goodyear (DE)	81.43601.0108 Man	
W010950295	Firestone	81.43601.0066 Man	
1R1B415-270	Firestone (FR)	81.43601.0068 Man	
1SC270-28	CF Gomma	81.43601.0069 Man	
3884	Airtech (ES)	8188539 Iveco	
896 130 000 4	Wabco	97108363 Iveco	
MLF7084	Meritor (PT)	5000 301 452 R.v.i.	
	(RU)		
	(AR)		



Application	Dimension	O.E.M. Nr.	Frenotruck Nr.
896 N	Contitech (EN) Air Spring	411627 Scania	F 55896
2E18A	Phoenix		
8040	Goodyear (DE)		
W010950245	Firestone		
1R1J520-285	Firestone (FR)		
3896	Airtech		
MLF7010	Meritor (ES)		
	(PT)		
	(RU)		
	(AR)		



Application	Dimension	O.E.M. Nr.	Frenotruck Nr.
916 N1	Contitech (EN) Air Spring	81.43601.0102 Man	F 55916
1F21C-5	Phoenix	81.43601.0095 Man	
9015	Goodyear (DE)	81.43601.0097 Man	
3916	Airtech	81.43601.0126 Man	
896 130 119 4	Wabco (FR)	81.43601.0105 Man	
MLF7085	Meritor		
	(ES)		
	(PT)		
	(RU)		
	(AR)		





AIR SUSPENSION

Air Spring

Frenotruck Nr.	O.E.M. Nr.	Dimension	Application
F 55927	3116354 Volvo	Air Spring	927 N Contitech
	434932 Scania		2E18B Phoenix
		DE	8037 Goodyear
		FR	W010950244 Firestone
		FR	1R1J415-285 Firestone
		FR	3927 Airtech
		ES	MLF7009 Meritor
		PT	
		RU	
		AR	

Frenotruck Nr.	O.E.M. Nr.	Dimension	Application
F 55944	523229 Scania	Air Spring	944 N Contitech
	4714025 Iveco		1E21-6 Phoenix
	4738008 Iveco	DE	8012 Goodyear
	8188526 Iveco	FR	W010950121 Firestone
	4722525 Iveco	FR	3944 Airtech
	6657150 Iveco	ES	896 130 168 4 Wabco
		PT	
		RU	
		AR	

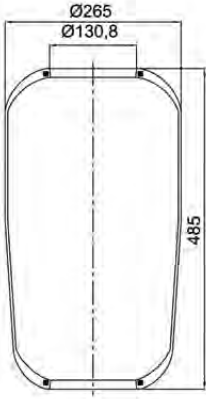
Frenotruck Nr.	O.E.M. Nr.	Dimension	Application
F 55945	4716989 Iveco	Air Spring	945 N Contitech
			1E21C Phoenix
		DE	9014 Goodyear
		FR	W010950063 Firestone
		FR	1R1A460-290 Firestone
		FR	1S285-25 CF Gomma
		ES	3945 Airtech
		ES	896 130 157 4 Wabco
		PT	MLF7125 Meritor
		RU	
		AR	



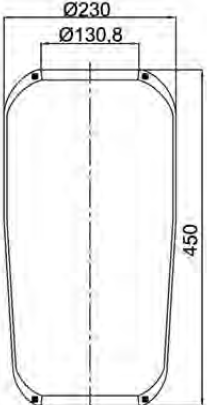
AIR SUSPENSION

Air Spring

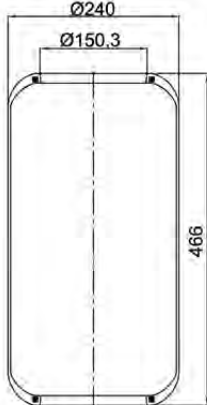
Application	Dimension	O.E.M. Nr.	Frenotruck Nr.
1421 N	Contitech	EN Air Spring	F 551421
9072	Goodyear		
W010950472	Firestone	DE	
1R2A490305	Firestone		
31421	Airtech	FR	
896 130 161 4	Wabco		
MLF7082	Meritor	ES	
		PT	
		RU	
		AR	



Application	Dimension	O.E.M. Nr.	Frenotruck Nr.
1885 N1	Contitech	EN Air Spring	F 551885
1F20B	Phoenix		
9003	Goodyear	DE	
W010950429	Firestone		
1R2A445-280	Firestone	FR	
31885	Airtech		
896 130 111 4	Wabco	ES	
MLF7012	Meritor	PT	
		RU	
		AR	



Application	Dimension	O.E.M. Nr.	Frenotruck Nr.
1888 N	Contitech	EN Air Spring	F 551888
		DE	
		FR	
		ES	
		PT	
		RU	
		AR	

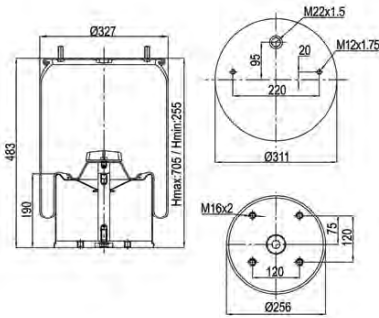




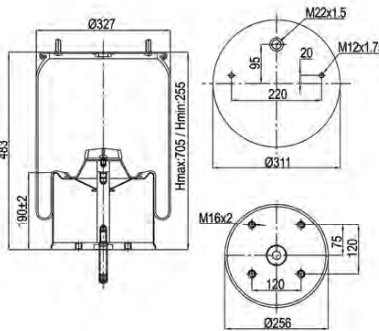
AIR SUSPENSION

Air Spring

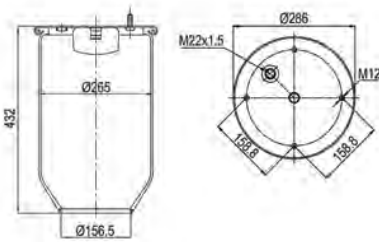
Frenotruck Nr.	O.E.M. Nr.	Sae-Gigant	Dimension	Application
FT 55725-K02	0166252	Sae-Gigant	<ul style="list-style-type: none"> EN Air Spring DE FR ES PT RU AR 	<ul style="list-style-type: none"> 725 N P03 Contitech 1R14-756 Goodyear W01M588610 Firestone 1T66D10.8 Firestone 3725-01 K Airtech 951 714 756 0 Wabco MLF7105 Meritor



Frenotruck Nr.	O.E.M. Nr.	Sae-Gigant	Dimension	Application
FT 55725-K03	0166217	Sae-Gigant	<ul style="list-style-type: none"> EN Air Spring DE FR ES PT RU AR 	<ul style="list-style-type: none"> 725 N P02 Contitech 1R14-747 Goodyear W01M588969 Firestone 3725 K Airtech 951 714 747 0 Wabco MLF7103 Meritor



Frenotruck Nr.	O.E.M. Nr.	Sae-Gigant	Dimension	Application
FT 55810	-	-	<ul style="list-style-type: none"> EN Air Spring DE FR ES PT RU AR 	<ul style="list-style-type: none"> 1 D 28 A-5 NP Phoenix W010957237 Firestone 3810 P Airtech





AIR SUSPENSION

Air Spring

Application	Dimension	O.E.M. Nr.	Frenotruck Nr.		
810 MB	Contitech	EN Air Spring	1080707	Volvo	
1D28A-2	Phoenix	1384273	Daf		
1R14-716	Goodyear	DE	5000 452 939	R.v.i.	
W01M586345	Firestone	2 229 2102 00	Sauer Achsen		
3810 K	Airtech	2 229 2602 00	Sauer Achsen		
951 814 716 0	Wabco	2 229 0002 00	Sauer Achsen		
21208082	Meritor	2 228 2202 00	Sauer Achsen		
		2 228 2402 00	Sauer Achsen		
		6504646 G	Trailor		
		212 08 082	Ror		
		212 15 632	Ror		
		785168	York-Hendrickson		

Application	Dimension	O.E.M. Nr.	Frenotruck Nr.		
W01M588775	Firestone	EN Air Spring	-	FT 55810-KP	
1T19L-7	Firestone	DE			
		FR			
		ES			
		PT			
		RU			
		AR			

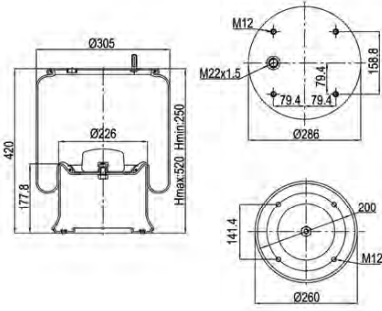
Application	Dimension	O.E.M. Nr.	Frenotruck Nr.		
3811-02 P	Airtech	EN Air Spring	-	FT 55811	
		DE			
		FR			
		ES			
		PT			
		RU			
		AR			



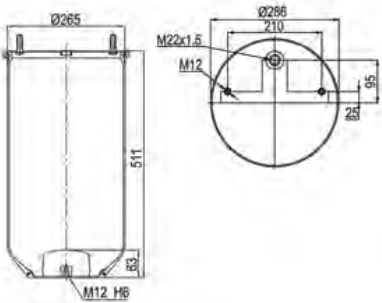
AIR SUSPENSION

Air Spring

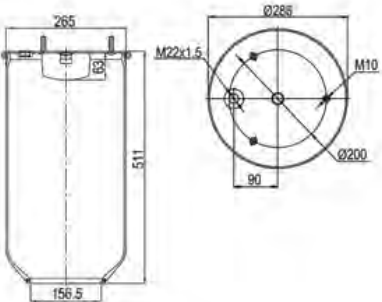
Frenotruck Nr.	O.E.M. Nr.	Dimension	Application
FT 55811-K	-	<p>EN Air Spring</p> <p>DE</p> <p>FR</p> <p>ES</p> <p>PT</p> <p>RU</p> <p>AR</p>	<p>3811-02 K Airtech</p>



Frenotruck Nr.	O.E.M. Nr.	Dimension	Application
FT 55811-02	-	<p>EN Air Spring</p> <p>DE</p> <p>FR</p> <p>ES</p> <p>PT</p> <p>RU</p> <p>AR</p>	<p>1D28B-10NP Phoenix</p>



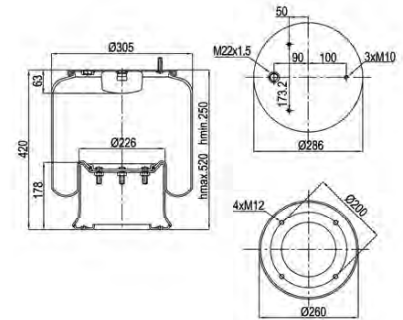
Frenotruck Nr.	O.E.M. Nr.	Dimension	Application	
FT 55811-03	4.731.029.000	Kassbohrer	<p>EN Air Spring</p> <p>DE</p> <p>FR</p> <p>ES</p> <p>PT</p> <p>RU</p> <p>AR</p>	<p>W01M586359 Firestone</p> <p>1T19F-11 Firestone</p> <p>3811- P Airtech</p>



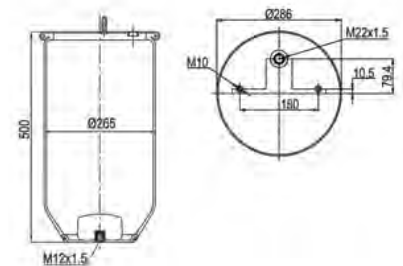
AIR SUSPENSION

Air Spring

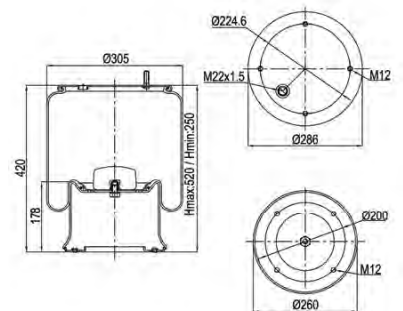
Application	Dimension	O.E.M. Nr.	Frenotruck Nr.
811 MB 1R14-718 1T19E-2 3811-K	Contitech Goodyear CF Gomma Airtech	5000 745 918	FT 55811-K03
	<p>EN Air Spring</p> <p>DE</p> <p>FR</p> <p>ES</p> <p>PT</p> <p>RU</p> <p>AR</p>	R.v.i.	



Application	Dimension	O.E.M. Nr.	Frenotruck Nr.
3811-04 P	Airtech	-	FT 55811-04
	<p>EN Air Spring</p> <p>DE</p> <p>FR</p> <p>ES</p> <p>PT</p> <p>RU</p> <p>AR</p>	-	



Application	Dimension	O.E.M. Nr.	Frenotruck Nr.
1R14-717	Goodyear	-	FT 55811-K05
	<p>EN Air Spring</p> <p>DE</p> <p>FR</p> <p>ES</p> <p>PT</p> <p>RU</p> <p>AR</p>	-	

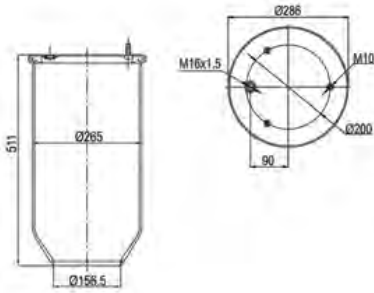




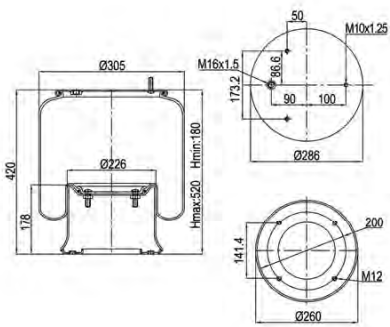
AIR SUSPENSION

Air Spring

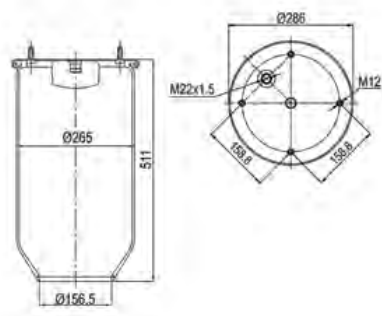
Frenotruck Nr.	O.E.M. Nr.	Dimension	Application
FT 55811-16	0067452 Daf	EN Air Spring	3811-03 P Airtech W01M586333 Firestone
		DE	
		FR	
		ES	
		PT	
		RU	
		AR	



Frenotruck Nr.	O.E.M. Nr.	Dimension	Application
FT 55811-K16	0526823 Daf	EN Air Spring	811 M 16K1 Contitech 1D28B-7 Phoenix 1R14-719 Goodyear W01M586334 Firestone 3811-07K Airtech
		DE	
		FR	
		ES	
		PT	
		RU	
		AR	



Frenotruck Nr.	O.E.M. Nr.	Dimension	Application
FT 55813	-	EN Air Spring	813 MB/0 Contitech 1D28B-5NP Phoenix W01M587238 Firestone 3813 P Airtech
		DE	
		FR	
		ES	
		PT	
		RU	
		AR	

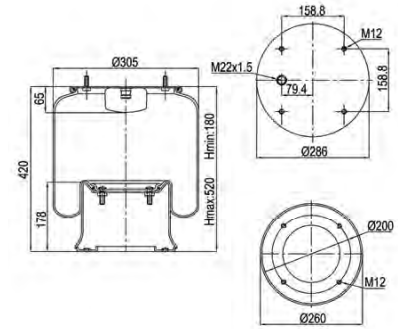




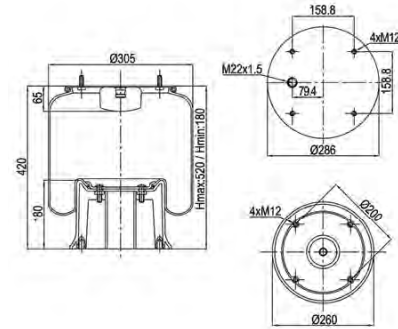
AIR SUSPENSION

Air Spring

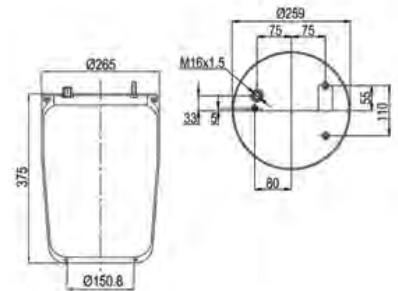
Application	Dimension	O.E.M. Nr.	Frenotruck Nr.
813 MB	Contitech (EN) Air Spring	1322720	Daf
1D28B-2	Phoenix	0388491	Daf
1R14-705	Goodyear (DE)	5000790692	R.v.i.
W01M586364	Firestone	5010130925	R.v.i.
3813 K	Airtech (FR)	2229000300	Sauer Achsen
951 814 705 0	Wabco	2229210300	Sauer Achsen
MLF7026	Meritor (ES)	2229240300	Sauer Achsen
	(PT)	2229260300	Sauer Achsen
	(RU)	65022347Y	Trailer
	(AR)	65023482	Trailer
		4731030000	Kassbohrer
		4731033000	Kassbohrer
		21215633	Ror
		8403102	Sae-Gigant
		785170	York-Hendrickson
		505859	York-Hendrickson



Application	Dimension	O.E.M. Nr.	Frenotruck Nr.
W01M586339	Firestone (EN) Air Spring	-	FT 55813-KP
1T19L-11	Firestone (DE)		
	(FR)		
	(ES)		
	(PT)		
	(RU)		
	(AR)		



Application	Dimension	O.E.M. Nr.	Frenotruck Nr.
836 M	Contitech (EN) Air Spring	0067504	Daf
1DF25-1NP	Phoenix		
1R12-700	Goodyear (DE)		
W01M580776	Firestone		
1T17AR -4,5	Firestone (FR)		
3836 P	Airtech (ES)		
	(PT)		
	(RU)		
	(AR)		

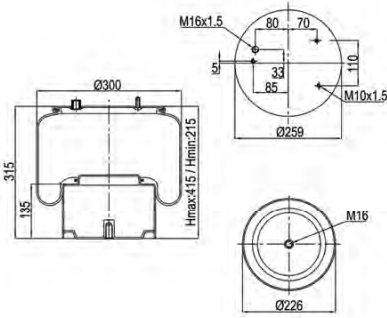




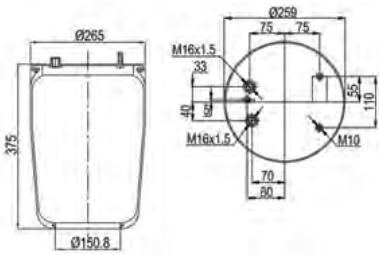
AIR SUSPENSION

Air Spring

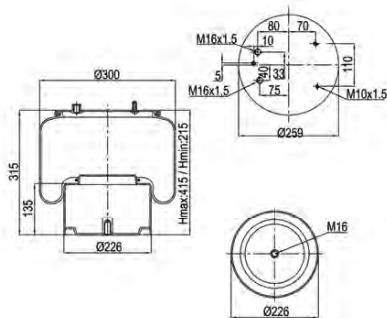
Frenotruck Nr.	O.E.M. Nr.	Dimension	Application
FT 55836-K01	1697678 Daf 0388165 Daf	EN Air Spring	836 M K1 Contitech 1DF25-11 Phoenix
		DE	1R12-712 Goodyear
		FR	W01M588722 Firestone 3836 K Airtech
		ES	951 812 712 0 Wabco MLF7060 Meritor
		PT	
		RU	



Frenotruck Nr.	O.E.M. Nr.	Dimension	Application
FT 55836-02	0513982 Daf	EN Air Spring	836 M2 Contitech 1DF25-3NP Phoenix
		DE	1R12-710 Goodyear
		FR	W01M580777 Firestone 3836-02 P Airtech
		ES	951 812 710 0 Wabco
		PT	
		RU	



Frenotruck Nr.	O.E.M. Nr.	Dimension	Application
FT 55836-K02	0388167 Daf	EN Air Spring	836 M2 K1 Contitech 1DF25-13 Phoenix
		DE	1R12-711 Goodyear
		FR	W01M588721 Firestone 3836-02 K Airtech
		ES	951 812 711 0 Wabco MLF7059 Meritor
		PT	
		RU	

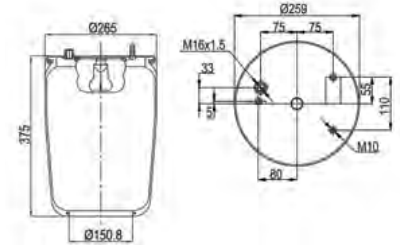




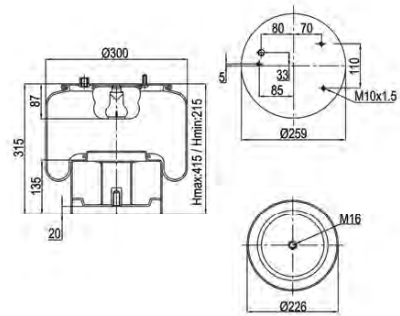
AIR SUSPENSION

Air Spring

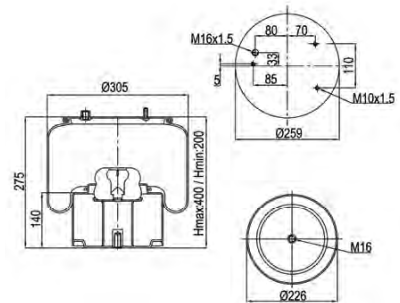
Application	Dimension	O.E.M. Nr.	Frenotruck Nr.
836 MB 1DF25-4NP W01M580775 3836-01	Contitech Phoenix Firestone Airtech	EN Air Spring DE FR ES PT RU AR	0513985 Daf FT 55836-04



Application	Dimension	O.E.M. Nr.	Frenotruck Nr.
836 MB K4 1DF25-14 W01M588705 3836-04 K MLF7056	Contitech Phoenix Firestone Airtech Meritor	EN Air Spring DE FR ES PT RU AR	0377498 Daf FT 55836-K04



Application	Dimension	O.E.M. Nr.	Frenotruck Nr.
836 MB K6 1DF25-15 3836-06 K	Contitech Phoenix Airtech	EN Air Spring DE FR ES PT RU AR	0526651 Daf FT 55836-K06





AIR SUSPENSION

Air Spring

Frenotruck Nr.	O.E.M. Nr.	Bergische Achsen	Dimension	Application	
FT 55881	05.429.40.01.0	Bergische Achsen	(EN) Air Spring	881 MB 1DK32 1R14-708 W01M588978 D14U36 3881 P MLF7066	Contitech Phoenix Goodyear Firestone Dunlop Airtech Meritor
			(DE)		
			(FR)		
			(ES)		
			(PT)		
			(RU)		
			(AR)		

Frenotruck Nr.	O.E.M. Nr.	Bergische Achsen	Dimension	Application	
FT 55881-K	05.429.40.61.1	Bergische Achsen	(EN) Air Spring	1R14-712 W01M588966	Goodyear Firestone
	05.429.41.42.1	Bergische Achsen	(DE)	1TC360-45	CF Gomma
	05.429.41.35.1	Bergische Achsen	(FR)	3881-01 K	Airtech
	05.429.40.48.1	Bergische Achsen	(ES)	MLF7065	Meritor
	05.429.40.43.1	Bergische Achsen	(PT)		
	05.429.40.14.1	Bergische Achsen	(RU)		
	05.429.40.39.1	Bergische Achsen	(AR)		
	05.429.40.24.1	Bergische Achsen			
	05.429.40.47.1	Bergische Achsen			
	05.429.04.07.1	Bergische Achsen			
	05.429.40.50.1	Bergische Achsen			
	05.429.41.36.1	Bergische Achsen			

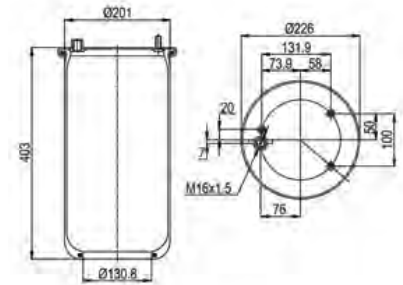
Frenotruck Nr.	O.E.M. Nr.	Bergische Achsen	Dimension	Application	
FT 55881-KP	05.429.43.51.0	Bergische Achsen	(EN) Air Spring	1 DK 32-1 1R14-748 W01M588667 1T66F10.8 3881-01 KPP MLF7104	Phoenix Goodyear Firestone Firestone Airtech Meritor
			(DE)		
			(FR)		
			(ES)		
			(PT)		
			(RU)		
			(AR)		



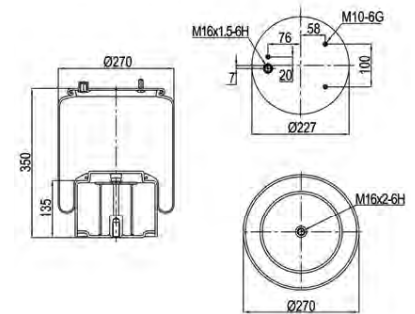
AIR SUSPENSION

Air Spring

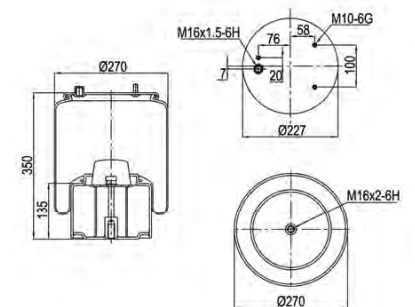
Application	Dimension	O.E.M. Nr.	Frenotruck Nr.
887 M	Contitech	EN Air Spring	FT 55887
3887 P	Airtech	0513983 Daf	
1R11-796	Goodyear	DE	
W01M580780	Firestone	FR	
1T15LNR-3	Firestone	ES	
		PT	
		RU	
		AR	



Application	Dimension	O.E.M. Nr.	Frenotruck Nr.
887 MK1	Contitech	EN Air Spring	FT 55887-K
38683 K	Airtech	0392022 Daf	
W01M588683	Firestone	1697684 Daf	
		DE	
		FR	
		ES	
		PT	
		RU	
		AR	



Application	Dimension	O.E.M. Nr.	Frenotruck Nr.
887 NP 04	Contitech	EN Air Spring	FT 55887-K06
887 MB K6	Contitech	1141525 Daf	
3887 K	Airtech	DE	
		FR	
		ES	
		PT	
		RU	
		AR	





AIR SUSPENSION

Air Spring

Frenotruck Nr.	O.E.M. Nr.		Dimension	Application	
FT 55902-K	5010 211 724	R.v.i.		902 MB	Contitech
		R.v.i.		W01M589910	Firestone
		1T19G-12		Firestone	
		3902 K		Airtech	
		951 700 006 0		Wabco	
		MLF7069		Meritor	

Frenotruck Nr.	O.E.M. Nr.		Dimension	Application	
FT 55940	05.429.40.91.0	Bergische Achsen		940 MB	Contitech
				1DK21K	Phoenix
	1R11-703	Goodyear			
	W01M588613	Firestone			
	1T17D- 4.3	Firestone			
	3940 P	Airtech			
	MLF7045	Meritor			

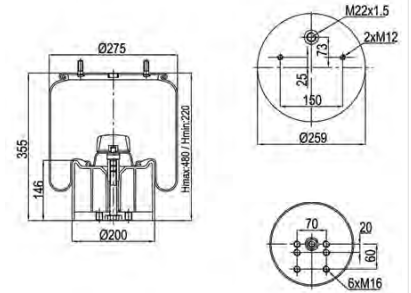
Frenotruck Nr.	O.E.M. Nr.		Dimension	Application	
FT 55940-K	05.429.42.41.1	Bergische Achsen		1R11-763	Goodyear
				W01M588609	Firestone
	3940 K	Airtech			
	MLF7042	Meritor			



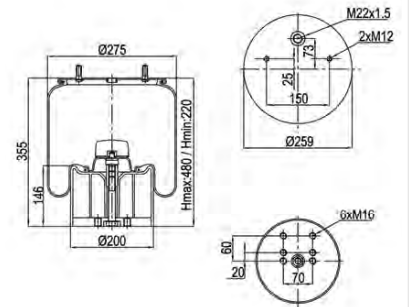
AIR SUSPENSION

Air Spring

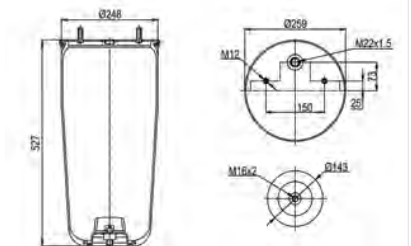
Application		Dimension	O.E.M. Nr.	Frenotruck Nr.
W01M588585	Firestone	EN Air Spring	05.429.43.21.0 Bergische Achsen	FT 55940-KP
3940 KPP	Airtech		05.429.41.29.0 Bergische Achsen	
MLF7177	Meritor	DE	05.429.42.19.1 Bergische Achsen	
		FR	05.429.42.40.0 Bergische Achsen	
		ES	05.429.41.23.1 Bergische Achsen	
		PT	05.429.41.14.1 Bergische Achsen	
		RU	05.429.41.53.1 Bergische Achsen	
		AR		



Application		Dimension	O.E.M. Nr.	Frenotruck Nr.
3940-01 KPP	Airtech	EN Air Spring	05.429.43.22.0 Bergische Achsen	FT 55940-KP01
		DE		
		FR		
		ES		
		PT		
		RU		
		AR		



Application		Dimension	O.E.M. Nr.	Frenotruck Nr.
941 MB	Contitech	EN Air Spring	05.429.40.03.0 Bergische Achsen	FT 55941
1DK21	Phoenix			
1R11-700	Goodyear	DE		
W01M588620	Firestone	FR		
3941 P	Airtech	FR		
951 811 700 0	Wabco	ES		
MLF7047	Meritor	ES		
		PT		
		RU		
		AR		

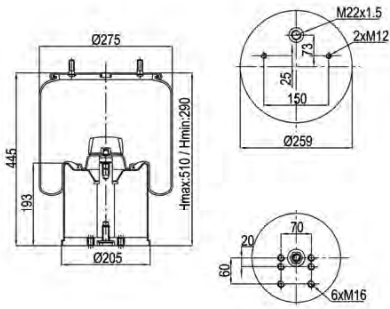




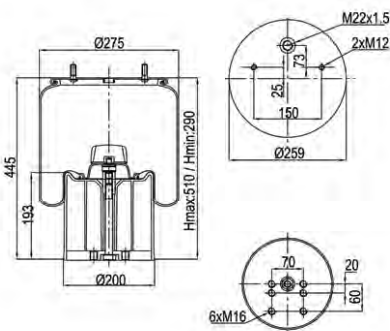
AIR SUSPENSION

Air Spring

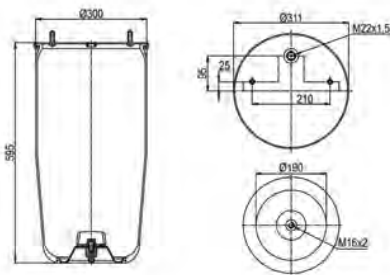
Frenotruck Nr.	O.E.M. Nr.	Bergische Achsen	Dimension	Application
FT 55941-K	05.429.40.28.1	Bergische Achsen	(EN) Air Spring	1R11-701 Goodyear
	05.429.40.10.1	Bergische Achsen	(DE)	1T17D-8.3 Firestone
	05.429.40.36.1	Bergische Achsen	(FR)	W01M588619 Firestone
			(ES)	3941 K Airtech
			(PT)	MLF7046 Meritor



Frenotruck Nr.	O.E.M. Nr.	Bergische Achsen	Dimension	Application
FT 55941-KP	05.429.43.20.0	Bergische Achsen	(EN) Air Spring	1R11-743 Goodyear
	05.429.40.59.1	Bergische Achsen	(DE)	W01M588668 Firestone
	05.429.41.24.1	Bergische Achsen	(FR)	3941-01 KPP Airtech
	05.429.42.18.1	Bergische Achsen	(ES)	MLF7093 Meritor
	05.429.40.09.1	Bergische Achsen	(PT)	



Frenotruck Nr.	O.E.M. Nr.	Bergische Achsen	Dimension	Application
FT 55942	05.429.40.05.0	Bergische Achsen	(EN) Air Spring	942 MB Contitech
			(DE)	1DK32L Phoenix
			(FR)	1R14-700 Goodyear
			(ES)	W01M588611 Firestone
			(PT)	3942 P Airtech
			(RU)	951 814 700 0 Wabco
			(AR)	MLF7043 Meritor





AIR SUSPENSION

Air Spring

Application	Dimension	O.E.M. Nr.	Frenotruck Nr.
1R14-781	Goodyear EN Air Spring	05.429.41.69.0	Bergische Achsen
W01M588584	Firestone	05.429.41.71.1	Bergische Achsen
1T66D-13.5	Firestone DE		
3942 K	Airtech		
MLF7107	Meritor FR		
	ES		
	PT		
	RU		
	AR		

Application	Dimension	O.E.M. Nr.	Frenotruck Nr.
1DK25-8747	Phoenix EN Air Spring	946 328 04 01	Mercedes
1R13-150	Goodyear	HS 251087	York-
W01M588747	Firestone DE		Hendrickson
1T17B-11	Firestone		
30081 K	Airtech FR		
951 813 150 0	Wabco		
MLF7061	Meritor ES		
	PT		
	RU		
	AR		

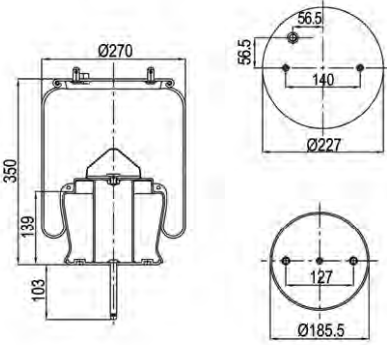
Application	Dimension	O.E.M. Nr.	Frenotruck Nr.
1T15VPR-3	Firestone EN Air Spring	1440302	Scania
W01M588193	Firestone	470921	Scania
330302 K	Airtech DE	488266	Scania
	FR		
	ES		
	PT		
	RU		
	AR		



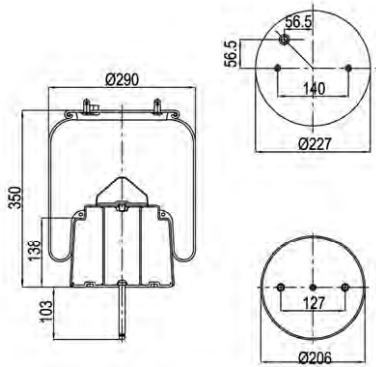
AIR SUSPENSION

Air Spring

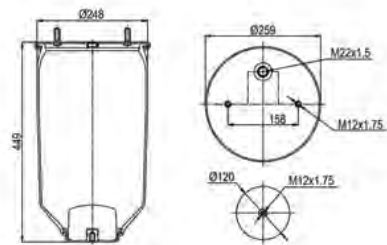
Frenotruck Nr.	O.E.M. Nr.	Dimension	Application
FT 550304-K	1440304 Scania	(EN) Air Spring (DE) (FR) (ES) (PT) (RU) (AR)	330304 K Airtech
	470922 Scania		MLF7142 Meritor



Frenotruck Nr.	O.E.M. Nr.	Dimension	Application
FT 550305-K	1440305 Scania	(EN) Air Spring (DE) (FR) (ES) (PT) (RU) (AR)	330305 K Airtech
	492680 Scania		



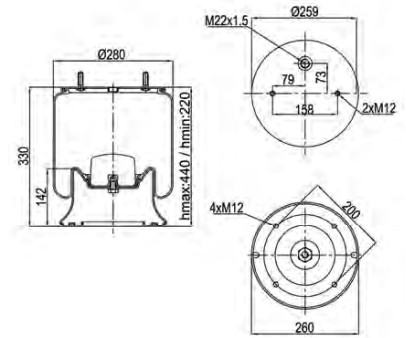
Frenotruck Nr.	O.E.M. Nr.	Dimension	Application
FT 554004	4 284 3003 01 Sauer Achsen	(EN) Air Spring (DE) (FR) (ES) (PT) (RU) (AR)	4004 N P02 Contitech
			1DK22E-5NP Phoenix
			1R11-705 Goodyear
			W01M580919 Firestone
			1T19E59722 Pirelli
			34004 P Airtech
			951 811 705 0 Wabco
			MLF7030 Meritor



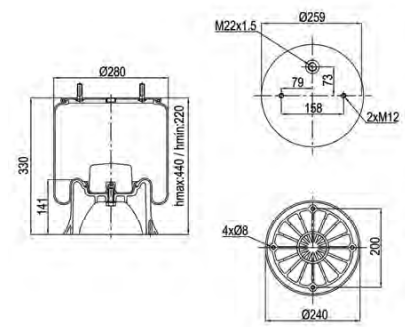
AIR SUSPENSION

Air Spring

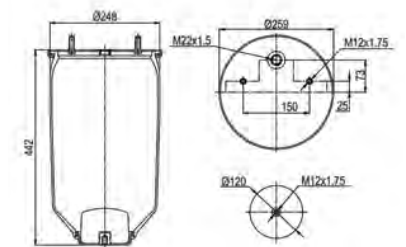
Application	Dimension	O.E.M. Nr.	Frenotruck Nr.
1DK 22 E-5	Phoenix (EN) Air Spring	-	FT 554004-K
1R11-706	Goodyear		
1T300-37	CF Gomma (DE)		
34004 K	Airtech		
951 811 750 0	Wabco (FR)		
MLF7091	Meritor		
	(ES)		
	(PT)		
	(RU)		
	(AR)		



Application	Dimension	O.E.M. Nr.	Manufacturer	Frenotruck Nr.
4004 N P03	Contitech (EN) Air Spring	3 229 0007 02	Sauer Achsen	FT 554004-KP
1DK22E-8	Phoenix	3 229 0007 01	Sauer Achsen	
1R11-713	Goodyear (DE)	3 229 0007 00	Sauer Achsen	
W01M586366	Firestone	3 229 2007 00	Sauer Achsen	
34004 KPP	Airtech (FR)	3 229 2007 01	Sauer Achsen	
951 811 713 0	Wabco	3 229 2007 02	Sauer Achsen	
MLF7094	Meritor (ES)	3 229 2107 00	Sauer Achsen	
	(PT)	3 229 2107 01	Sauer Achsen	
	(RU)	3 229 2107 02	Sauer Achsen	
	(AR)	3 229 2207 02	Sauer Achsen	
		3 229 2307 02	Sauer Achsen	
		3 229 2407 02	Sauer Achsen	
		3 229 2607 02	Sauer Achsen	



Application	Dimension	O.E.M. Nr.	Manufacturer	Frenotruck Nr.
4022 N P02	Contitech (EN) Air Spring	4 284 3006 00	Sauer Achsen	FT 554022
1DK22E-9NP	Phoenix			
1R11-709	Goodyear (DE)			
W01M580756	Firestone			
34022 P	Airtech (FR)			
	(ES)			
	(PT)			
	(RU)			
	(AR)			

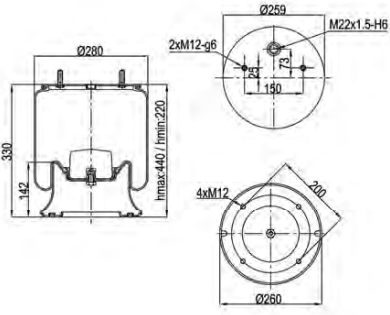




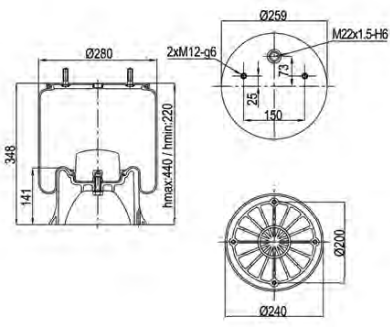
AIR SUSPENSION

Air Spring

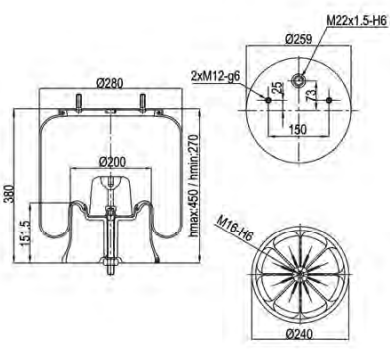
Frenotruck Nr.	O.E.M. Nr.	Dimension	Application
FT 554022-K	-	EN Air Spring	1DK22E-6 Phoenix
		DE	1R11-710 Goodyear
		FR	34022 K Airtech
		ES	951 811 710 0 Wabco
		PT	
		RU	



Frenotruck Nr.	O.E.M. Nr.	Sauer Achsen	Dimension	Application
FT 554022-KP	3 229 0029 00 3 229 2129 00 3 229 2229 00 3 229 2429 00	Sauer Achsen Sauer Achsen Sauer Achsen Sauer Achsen	EN Air Spring	4022 N P03 Contitech
			DE	1DK22E-9 Phoenix
			FR	34022 KPP Airtech
			ES	1R11-714 Goodyear
			PT	951 811 714 0 Wabco
			RU	MLF7092 Meritor



Frenotruck Nr.	O.E.M. Nr.	Sauer Achsen	Dimension	Application
FT 554022-KP05	3 229 0033 00 3 228 1033 00	Sauer Achsen Sauer Achsen	EN Air Spring	4022 N P05 Contitech
			DE	1DK22E-11 Phoenix
			FR	1R11-781 Goodyear
			ES	W01M588612 Firestone
			PT	1T17BS-6 Firestone
			RU	32619 KPP Airtech

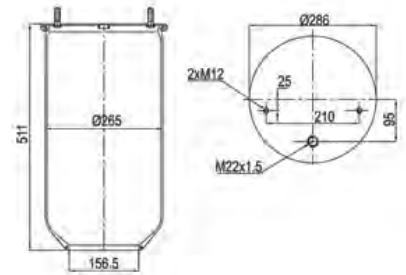




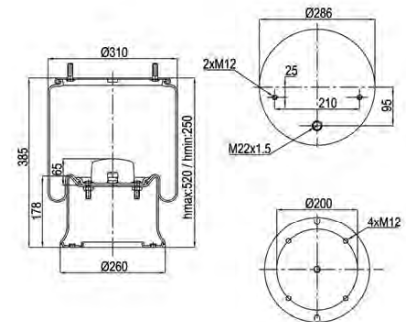
AIR SUSPENSION

Air Spring

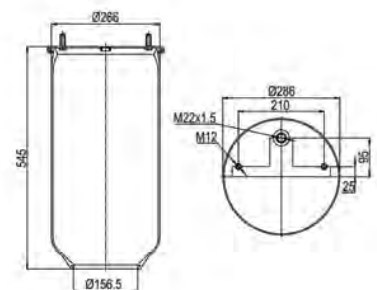
Application	Dimension	O.E.M. Nr.	Frenotruck Nr.
4023 N P06	Contitech	(EN) Air Spring	FT 554023
34023 P	Airtech	-	
W01M586335	Firestone	(DE)	
		(FR)	
		(ES)	
		(PT)	
		(RU)	
		(AR)	



Application	Dimension	O.E.M. Nr.	Frenotruck Nr.
4023 N P03	Contitech	(EN) Air Spring	FT 554023-K
1D28B-10	Phoenix	3 229 0031 00 Sauer Achsen	
34023 K	Airtech	3 229 2131 00 Sauer Achsen	
1R14-729	Goodyear	3 229 2431 00 Sauer Achsen	
951 814 729 0	Wabco	3 229 2231 00 Sauer Achsen	
MLF7028	Meritor	3 228 1031 00 Sauer Achsen	
W01M586348	Firestone	(DE)	
		(FR)	
		(ES)	
		(PT)	
		(RU)	
		(AR)	



Application	Dimension	O.E.M. Nr.	Frenotruck Nr.
4028 N	Contitech	(EN) Air Spring	FT 554028
34028 P	Airtech	-	
		(DE)	
		(FR)	
		(ES)	
		(PT)	
		(RU)	
		(AR)	

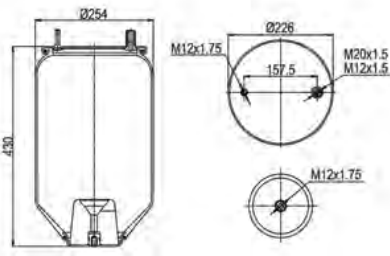




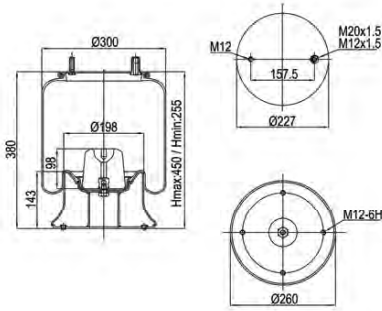
AIR SUSPENSION

Air Spring

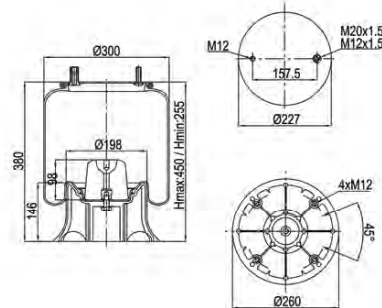
Frenotruck Nr.	O.E.M. Nr.	Dimension	Application
FT 554156	-	<p>EN Air Spring</p> <p>DE</p> <p>FR</p> <p>ES</p> <p>PT</p> <p>RU</p> <p>AR</p>	<p>4156 N P05 Contitech</p> <p>34156 P Airtech</p> <p>1R11-753 Goodyear</p>



Frenotruck Nr.	O.E.M. Nr.	Dimension	Application
FT 554156-K	-	<p>EN Air Spring</p> <p>DE</p> <p>FR</p> <p>ES</p> <p>PT</p> <p>RU</p> <p>AR</p>	<p>4156 N P07 Contitech</p> <p>1DK23K-28 Phoenix</p> <p>1R12-719 Goodyear</p> <p>W013589361 Firestone</p> <p>1T323-32 CF Gomma</p> <p>34156-01 K Airtech</p>



Frenotruck Nr.	O.E.M. Nr.	Ror	Dimension	Application
FT 554156-KP	<p>21215761</p> <p>HA 10000 1</p> <p>UJB-0207-001</p>	<p>Ror</p> <p>York-</p> <p>Hendrickson</p> <p>Fruehauf</p>	<p>EN Air Spring</p> <p>DE</p> <p>FR</p> <p>ES</p> <p>PT</p> <p>RU</p> <p>AR</p>	<p>4156 N P15 Contitech</p> <p>1DK23K-1 Phoenix</p> <p>34156 KPP Airtech</p> <p>951 812 719 0 Wabco</p> <p>21215761 Meritor</p>

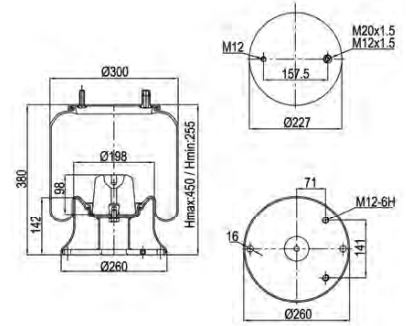




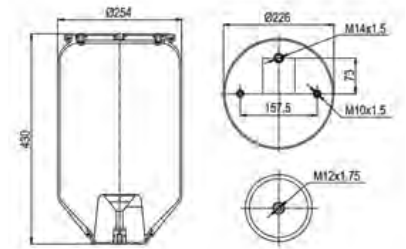
AIR SUSPENSION

Air Spring

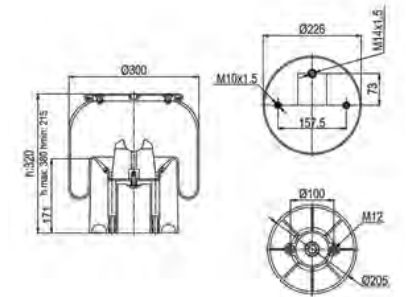
Application	Dimension	O.E.M. Nr.	Frenotruck Nr.
4156 N P09 1R12-706 W01M589089 34156-03 K	Contitech Goodyear Firestone Airtech	M001472	FT 554156-K05
	<p>(EN) Air Spring</p> <p>(DE)</p> <p>(FR)</p> <p>(ES)</p> <p>(PT)</p> <p>(RU)</p> <p>(AR)</p>	Smb	



Application	Dimension	O.E.M. Nr.	Frenotruck Nr.
W013580707	Firestone	-	FT 554156-16
	<p>(EN) Air Spring</p> <p>(DE)</p> <p>(FR)</p> <p>(ES)</p> <p>(PT)</p> <p>(RU)</p> <p>(AR)</p>		



Application	Dimension	O.E.M. Nr.	Frenotruck Nr.
W01M587295	Firestone	1123386 Scania	FT 554156-KP16
	<p>(EN) Air Spring</p> <p>(DE)</p> <p>(FR)</p> <p>(ES)</p> <p>(PT)</p> <p>(RU)</p> <p>(AR)</p>		

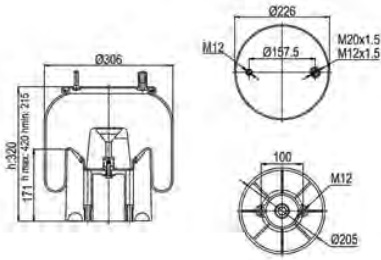




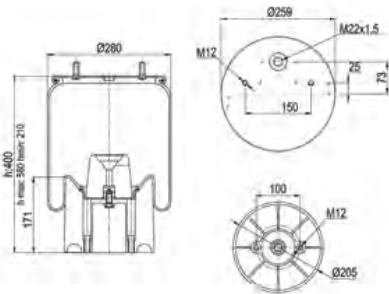
AIR SUSPENSION

Air Spring

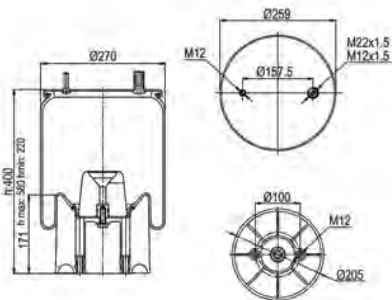
Frenotruck Nr.	O.E.M. Nr.	Dimension	Application
FT 554156-KP88	100053 York-Hendrickson	EN Air Spring	W014556288 Firestone 1T15M-6 Firestone
		DE	
		FR	
		ES	
		PT	
		RU	
		AR	



Frenotruck Nr.	O.E.M. Nr.	Dimension	Application
FT 554157-KP04	-	EN Air Spring	4157 N P04 Contitech 34157 KPP Airtech
		DE	
		FR	
		ES	
		PT	
		RU	
		AR	



Frenotruck Nr.	O.E.M. Nr.	Dimension	Application
FT 554157-KP05	-	EN Air Spring	4157 N P05 Contitech 1DK21A-3 Phoenix 34157-05 KPP Airtech
		DE	
		FR	
		ES	
		PT	
		RU	
		AR	

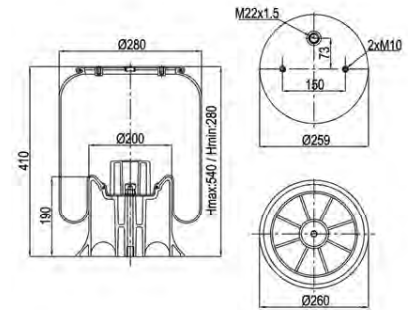




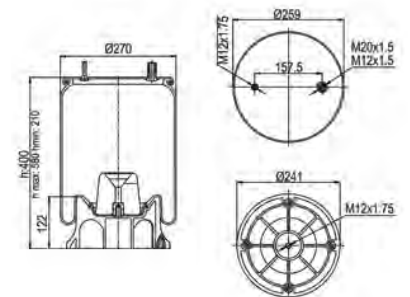
AIR SUSPENSION

Air Spring

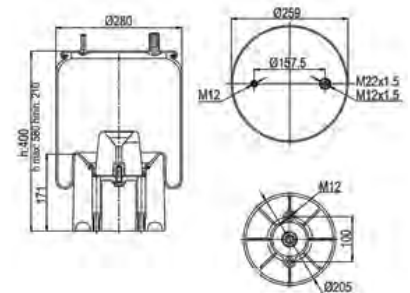
Application	Dimension	O.E.M. Nr.	Frenotruck Nr.
4157 N P06	Contitech	EN Air Spring	FT 554157-KP06
1 DK 20 A-1	Phoenix	-	
1R11-764	Goodyear	DE	
W01M588186	Firestone	FR	
951 811 764 0	Wabco	FR	
		ES	
		PT	
		RU	
		AR	



Application	Dimension	O.E.M. Nr.	Frenotruck Nr.
4157 N P08	Contitech	EN Air Spring	FT 554157-KP08
1 DK 20 C-2	Phoenix	M078580 Fruehauf	
34157-08 KPP	Airtech	DE	
		FR	
		ES	
		PT	
		RU	
		AR	



Application	Dimension	O.E.M. Nr.	Frenotruck Nr.
4157 N P09	Contitech	EN Air Spring	FT 554157-KP09
		DE	
		FR	
		ES	
		PT	
		RU	
		AR	

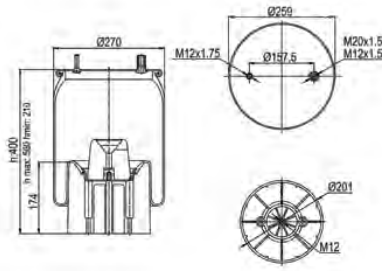




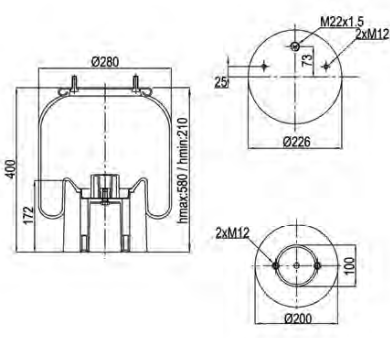
AIR SUSPENSION

Air Spring

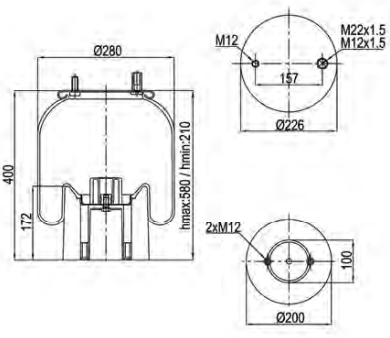
Frenotruck Nr.	O.E.M. Nr.	Smb	Dimension	Application
FT 554157-KP10	M060924 UJB-0975	Smb Fruehauf	EN Air Spring DE FR ES PT RU AR	4157 N P10 1DK20A-51 34157-10 KPP Contitech Phoenix Airtech



Frenotruck Nr.	O.E.M. Nr.	Mercedes Ror	Dimension	Application
FT 554157-KP14	946 328 14 01 212 21 307	Mercedes Ror	EN Air Spring DE FR ES PT RU AR	1DK21A-4 1R11-111 W01M586297 1T15 MPW-7 39002-A8 KPP Phoenix Goodyear Firestone Firestone Airtech



Frenotruck Nr.	O.E.M. Nr.	Ror	Dimension	Application
FT 554157-KP15	212 22 442	Ror	EN Air Spring DE FR ES PT RU AR	1DK21A-31 1R11-106 W01M587074 39002 A3 KPP Phoenix Goodyear Firestone Airtech





AIR SUSPENSION

Air Spring

Application	Dimension	O.E.M. Nr.	Frenotruck Nr.
4158 N P02	Contitech	(EN) Air Spring	FT 554158
1DK20B-1NP	Phoenix	-	
1R12-748	Goodyear	(DE)	
W01M586257	Firestone	(FR)	
34158 P	Airtech	(FR)	
		(ES)	
		(PT)	
		(RU)	
		(AR)	

Application	Dimension	O.E.M. Nr.	Frenotruck Nr.
4158 N P03	Contitech	(EN) Air Spring	FT 554158-KP
1DK20B-1	Phoenix	750999 Schmitz	
1R12-749	Goodyear	(DE)	
W01M588185	Firestone	(FR)	
1T15MPW-9	Firestone	(FR)	
34158 KPP	Airtech	(ES)	
951 812 749 0	Wabco	(ES)	
MLF7179	Meritor	(PT)	
		(RU)	
		(AR)	

Application	Dimension	O.E.M. Nr.	Frenotruck Nr.
4159 N P05	Contitech	(EN) Air Spring	FT 554159
1DK21B-5NP	Phoenix	-	
1R12-761	Goodyear	(DE)	
W01M580736	Firestone	(FR)	
34159 P	Airtech	(FR)	
951 700 002 0	Wabco	(ES)	
		(PT)	
		(RU)	
		(AR)	



AIR SUSPENSION

Air Spring

Frenotruck Nr.	O.E.M. Nr.	Dimension	Application
FT 554159-K	-	<p>EN Air Spring</p> <p>DE</p> <p>FR</p> <p>ES</p> <p>PT</p> <p>RU</p> <p>AR</p>	<p>4159 N P03 Contitech</p> <p>1DK23L-27 Phoenix</p> <p>1R12-715 Goodyear</p> <p>W013588853 Firestone</p> <p>34159-02 K Airtech</p> <p>951 712 701 0 Wabco</p> <p>MLF7127 Meritor</p>

Frenotruck Nr.	O.E.M. Nr.	Dimension	Application
FT 554159-KP	UJA-0894-001 Fruehauf	<p>EN Air Spring</p> <p>DE</p> <p>FR</p> <p>ES</p> <p>PT</p> <p>RU</p> <p>AR</p>	<p>4159 N P14 Contitech</p> <p>1DK21B-4 Phoenix</p> <p>1R12-701 Goodyear</p> <p>W01M587548 Firestone</p> <p>34159-10 KPP Airtech</p> <p>951 812 701 0 Wabco</p> <p>MLF7035 Meritor</p>

Frenotruck Nr.	O.E.M. Nr.	Dimension	Application
FT 554159-K03	-	<p>EN Air Spring</p> <p>DE</p> <p>FR</p> <p>ES</p> <p>PT</p> <p>RU</p> <p>AR</p>	<p>34159 K Airtech</p>



AIR SUSPENSION

Air Spring

Application	Dimension	O.E.M. Nr.	Frenotruck Nr.
4159 N P07	Contitech (EN) Air Spring	M001782	Smb
1DK23L-25	Phoenix	UJB-0203-001	Fruehauf
1R12-702	Goodyear (DE)		
W01M588859	Firestone		
W013799091	Firestone (FR)		
1T353-40	CF Gomma		
34159-05 K	Airtech (ES)		
951 812 702 0	Wabco		
MLF7064	Meritor (PT)		
	(RU)		
	(AR)		

Application	Dimension	O.E.M. Nr.	Frenotruck Nr.
4159 N P09	Contitech (EN) Air Spring	M001774	Smb
1DK 23L-9131	Phoenix	UJB-0358-001	Fruehauf
1R12-721	Goodyear (DE)		
W01M589131	Firestone		
1T15 M9	Firestone (FR)		
1 T323-40	CF Gomma		
34159-02 KPP	Airtech (ES)		
951 712 721 0	Wabco		
MLF7068	Meritor (PT)		
	(RU)		
	(AR)		

Application	Dimension	O.E.M. Nr.	Frenotruck Nr.
4183 N P23	Contitech (EN) Air Spring	942 320 22 21	Mercedes
34183-23 K	Airtech		
	(DE)		
	(FR)		
	(ES)		
	(PT)		
	(RU)		
	(AR)		



AIR SUSPENSION

Air Spring

Frenotruck Nr.	O.E.M. Nr.	Mercedes	Dimension	Application
FT 554390-01	942 328 00 01	Mercedes	<ul style="list-style-type: none"> EN Air Spring DE FR ES PT RU AR 	<ul style="list-style-type: none"> 4390 N1 Contitech 1KF21-1NP Phoenix 9507 Goodyear 34390-01 P Airtech 896 130 171 4 Wabco

Frenotruck Nr.	O.E.M. Nr.	Mercedes	Dimension	Application
FT 554390-K01	942 320 01 21	Mercedes	<ul style="list-style-type: none"> EN Air Spring DE FR ES PT RU AR 	<ul style="list-style-type: none"> 4390 N P01 Contitech 1KF21-1 Phoenix 9505 Goodyear 34390-01 K Airtech 951 795 050 0 Wabco MLF7108 Meritor

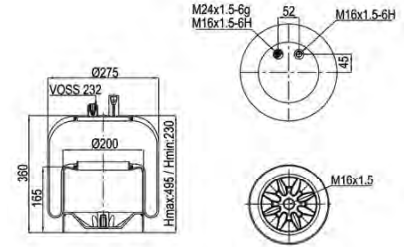
Frenotruck Nr.	O.E.M. Nr.	Mercedes	Dimension	Application
FT 554390-02	942 328 01 01	Mercedes	<ul style="list-style-type: none"> EN Air Spring DE FR ES PT RU AR 	<ul style="list-style-type: none"> 4390 N2 Contitech 1KF21-2NP Phoenix 9508 Goodyear 34390-02 P Airtech 896 130 172 4 Wabco



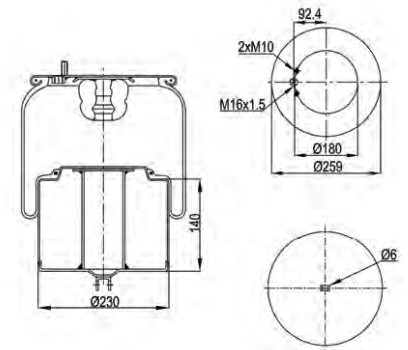
AIR SUSPENSION

Air Spring

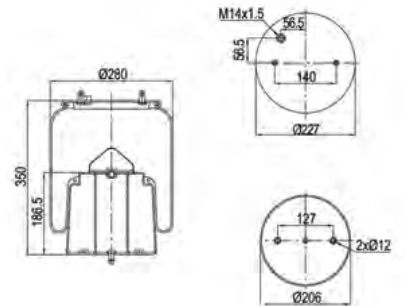
Application	Dimension	O.E.M. Nr.	Frenotruck Nr.
4390 N P02 1KF21-2 9506 34390-02 K 951 795 060 0	Contitech Phoenix Goodyear Airtech Wabco	EN Air Spring DE FR ES PT RU AR	942 320 02 21 Mercedes FT 554390-K02



Application	Dimension	O.E.M. Nr.	Frenotruck Nr.
4420 N P01 36075 K MLF7171	Contitech Airtech Meritor	EN Air Spring DE FR ES PT RU AR	1076076 Volvo FT 554420-K



Application	Dimension	O.E.M. Nr.	Frenotruck Nr.
334506 K	Airtech	EN Air Spring DE FR ES PT RU AR	1434506 Scania 488264 Scania 473868 Scania FT 554506-K





AIR SUSPENSION

Air Spring

Frenotruck Nr.	O.E.M. Nr.	Dimension	Application	
FT 554713	1076595 Volvo	EN Air Spring	4713 N P04 Contitech 1R12-763 Goodyear 34713 P Airtech	
				DE
				FR
				ES
				PT
				RU
				AR

Frenotruck Nr.	O.E.M. Nr.	Dimension	Application	
FT 554713-K	20554755 Volvo 1076594 Volvo	EN Air Spring	4713 N P02 Contitech 1DF22C-1 Phoenix 1R12-762 Goodyear W01M589706 Firestone 34713 K Airtech 951 812 762 0 Wabco MLF7098 Meritor	
				DE
				FR
				ES
				PT
				RU
				AR

Frenotruck Nr.	O.E.M. Nr.	Dimension	Application	
FT 554718-K	20554759 Volvo 1075363 Volvo	EN Air Spring	4718 N P01 Contitech 34718 K Airtech 951 700 004 0 Wabco MLF7145 Meritor	
				DE
				FR
				ES
				PT
				RU
				AR



AIR SUSPENSION

Air Spring

Application	Dimension	O.E.M. Nr.	Frenotruck Nr.
4757 N1	Contitech	942 327 00 01	Mercedes
9517	Goodyear		
34757-01 P	Airtech		
	<p>(EN) Air Spring</p> <p>(DE)</p> <p>(FR)</p> <p>(ES)</p> <p>(PT)</p> <p>(RU)</p> <p>(AR)</p>		

Application	Dimension	O.E.M. Nr.	Frenotruck Nr.
4757 N P01	Contitech	942 320 01 17	Mercedes
9519	Goodyear		
34757-01 K	Airtech		
951 700 003 0	Wabco		
MLF7164	Meritor		
	<p>(EN) Air Spring</p> <p>(DE)</p> <p>(FR)</p> <p>(ES)</p> <p>(PT)</p> <p>(RU)</p> <p>(AR)</p>		

Application	Dimension	O.E.M. Nr.	Frenotruck Nr.
4757 N2	Contitech	974 328 00 01	Mercedes
9518	Goodyear		
34757-02 P	Airtech	974 328 01 01	Mercedes
	<p>(EN) Air Spring</p> <p>(DE)</p> <p>(FR)</p> <p>(ES)</p> <p>(PT)</p> <p>(RU)</p> <p>(AR)</p>		



AIR SUSPENSION

Air Spring

Frenotruck Nr.	O.E.M. Nr.	Mercedes	Dimension	Application	
FT 554757-K09	974 320 04 17		EN Air Spring	4757 N P09 9520 34757-02 K	Contitech Goodyear Airtech
			DE		
			FR		
			ES		
			PT		
			RU		
			AR		

Frenotruck Nr.	O.E.M. Nr.	Sauer Achsen	Dimension	Application	
FT 554810-K05	3 229 0027 00		EN Air Spring	4810 N P05 1D28A-10 1R14-730 W01M586338 32918 K 951 814 730 0 MLF7025	Contitech Phoenix Goodyear Firestone Airtech Wabco Meritor
			DE		
			FR		
			ES		
			PT		
			RU		
			AR		

Frenotruck Nr.	O.E.M. Nr.	Dimension	Application	
FT 554813	-	EN Air Spring	W01M580918 34813 P	Firestone Airtech
			DE	
			FR	
			ES	
			PT	
			RU	
			AR	



AIR SUSPENSION

Air Spring

Application	Dimension	O.E.M. Nr.	Frenotruck Nr.
4813 N P07	Contitech EN Air Spring	1314906	FT 554813-K
1D28B-9	Phoenix	1107674	
1R14-727	Goodyear DE	255293	
W01M587358	Firestone	298568	
34813 K	Airtech FR	325748	
951 714 727 0	Wabco	3 229 0005 00	
MLF7034	Meritor ES		
	PT		
	RU		
	AR		

Application	Dimension	O.E.M. Nr.	Frenotruck Nr.
4838 N P01	Contitech EN Air Spring	946 320 04 21	FT 554838-K
34838-01 K	Airtech	Mercedes	
	DE		
	FR		
	ES		
	PT		
	RU		
	AR		

Application	Dimension	O.E.M. Nr.	Frenotruck Nr.
4881 N P02	Contitech EN Air Spring	05.429.41.01.0	FT 554881
1DK32K	Phoenix	Bergische Achsen	
1R14-701	Goodyear DE		
W01M588601	Firestone		
1T66D-7	Firestone FR		
34881 P	Airtech		
951 814 701 0	Wabco ES		
MLF7040	Meritor		
	PT		
	RU		
	AR		



AIR SUSPENSION

Air Spring

Frenotruck Nr.	O.E.M. Nr.	Dimension	Application
FT 554881-K	05.429.41.31.1	Air Spring	4881 MB
	05.429.41.03.1		1 DK 32 K-1
		<input checked="" type="radio"/> EN <input type="radio"/> DE <input type="radio"/> FR <input type="radio"/> ES <input type="radio"/> PT <input type="radio"/> RU <input type="radio"/> AR	Contitech Phoenix Goodyear Firestone Firestone Airtech Meritor

Frenotruck Nr.	O.E.M. Nr.	Dimension	Application
FT 554881-KP	05.429.43.41.0	Air Spring	34881-01 KPP
			MLF7106
		<input checked="" type="radio"/> EN <input type="radio"/> DE <input type="radio"/> FR <input type="radio"/> ES <input type="radio"/> PT <input type="radio"/> RU <input type="radio"/> AR	Airtech Meritor

Frenotruck Nr.	O.E.M. Nr.	Dimension	Application
FT 554882	81.43601.0151	Air Spring	4882 N1 P01
	81.43601.6065		1R10-702
		<input type="radio"/> EN <input type="radio"/> DE <input type="radio"/> FR <input type="radio"/> ES <input type="radio"/> PT <input type="radio"/> RU <input type="radio"/> AR	Contitech Goodyear Airtech



AIR SUSPENSION

Air Spring

Application	Dimension	O.E.M. Nr.	Frenotruck Nr.
4882 N1 P05 34882 K	Contitech Airtech	81.43600.6036 Man	FT 554882-K
	<p>EN Air Spring</p> <p>DE</p> <p>FR</p> <p>ES</p> <p>PT</p> <p>RU</p> <p>AR</p>		

Application	Dimension	O.E.M. Nr.	Frenotruck Nr.
4883 N1 P01 1R11-804 34883 P	Contitech Goodyear Airtech	81.43601.0153 Man	FT 554883
	<p>EN Air Spring</p> <p>DE</p> <p>FR</p> <p>ES</p> <p>PT</p> <p>RU</p> <p>AR</p>		

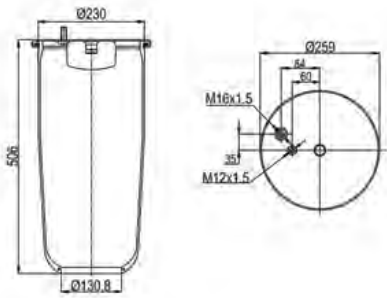
Application	Dimension	O.E.M. Nr.	Frenotruck Nr.
4883 N1 P07 34883 K	Contitech Airtech	81.43600.6038 Man	FT 554883-K
	<p>EN Air Spring</p> <p>DE</p> <p>FR</p> <p>ES</p> <p>PT</p> <p>RU</p> <p>AR</p>		



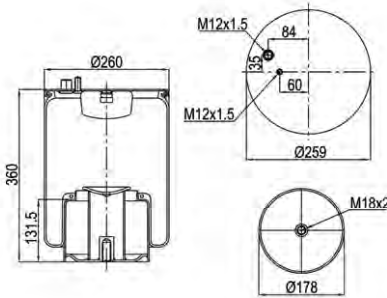
AIR SUSPENSION

Air Spring

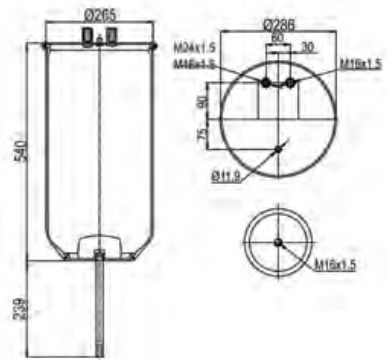
Frenotruck Nr.	O.E.M. Nr.	Man	Dimension	Application	
FT 554884	81.43601.0152 81.43601.0174	Man Man	EN Air Spring	4884 N1 P01 1R11-820 34884 P	Contitech Goodyear Airtech
			DE		
			FR		
			ES		
			PT		
			RU		
AR					



Frenotruck Nr.	O.E.M. Nr.	Man	Dimension	Application	
FT 554884-K	81.43600.6035	Man	EN Air Spring	4884 N1 P06 34884 K	Contitech Airtech
			DE		
			FR		
			ES		
			PT		
			RU		
AR					



Frenotruck Nr.	O.E.M. Nr.	Man	Dimension	Application	
FT 554911	-		EN Air Spring	4911 N 34911 P	Contitech Airtech
			DE		
			FR		
			ES		
			PT		
			RU		
AR					





AIR SUSPENSION

Air Spring

Application	Dimension	O.E.M. Nr.	Frenotruck Nr.
4911 N P03 1R13-714 34911 K 951 713 714 0 MLF7099	Contitech Goodyear Airtech Wabco Meritor	EN Air Spring DE FR ES PT RU AR	5010 294 308 R.v.i. FT 554911-K

Application	Dimension	O.E.M. Nr.	Frenotruck Nr.
4912 N P08 1R13-713 34912 P	Contitech Goodyear Airtech	EN Air Spring DE FR ES PT RU AR	5001 832 067 R.v.i. FT 554912

Application	Dimension	O.E.M. Nr.	Frenotruck Nr.
4912 N P07 1DK28F-4 1R13-711 W01M588786 1T19L-14 34912 K 951 813 711 0 MLF7063	Contitech Phoenix Goodyear Firestone Firestone Airtech Wabco Meritor	EN Air Spring DE FR ES PT RU AR	5010 294 307 R.v.i. FT 554912-K



AIR SUSPENSION

Air Spring

Frenotruck Nr.	O.E.M. Nr.	Dimension	Application
FT 554913	1379393 Scania	EN Air Spring	4913 N P04 Contitech 1D28H-16NP Phoenix 1R14-755 Goodyear 34913 P Airtech
		DE	
		FR	
		ES	
		PT	
		RU	
		AR	

Frenotruck Nr.	O.E.M. Nr.	Dimension	Application
FT 554913-K	1379392 Scania 1440294 Scania	EN Air Spring	4913 N P02 Contitech 1D28H-16 Phoenix 1R14-753 Goodyear W010950500 Firestone 34913 K Airtech 951 714 753 0 Wabco MLF7081 Meritor
		DE	
		FR	
		ES	
		PT	
		RU	
		AR	

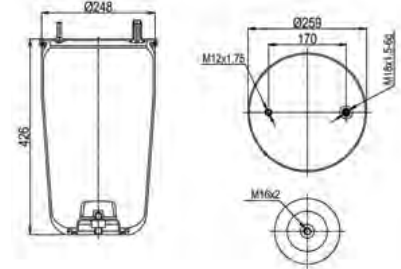
Frenotruck Nr.	O.E.M. Nr.	Dimension	Application
FT 554925-K	20554761 Volvo 1075365 Volvo 1629782 Volvo	EN Air Spring	6609 N P01 Contitech 4925 N Contitech 34925 K Airtech
		DE	
		FR	
		ES	
		PT	
		RU	
		AR	



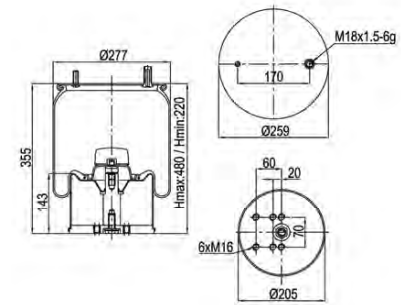
AIR SUSPENSION

Air Spring

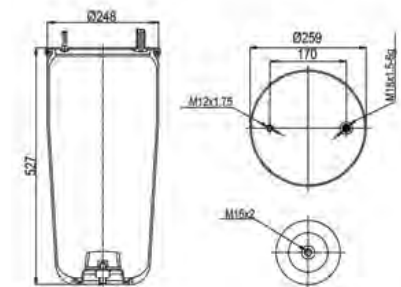
Application	Dimension	O.E.M. Nr.	Frenotruck Nr.
4940 N P02 1R11-799 34940 P 951 811 799 0	Contitech Goodyear Airtech Wabco	EN Air Spring DE FR ES PT RU AR	05.429.41.56.0 Bergische Achsen FT 554940



Application	Dimension	O.E.M. Nr.	Frenotruck Nr.
34940 K	Airtech	EN Air Spring DE FR ES PT RU AR	- FT 554940-K



Application	Dimension	O.E.M. Nr.	Frenotruck Nr.
4941 N P02 1R11-802 34941 P 951 811 802 0	Contitech Goodyear Airtech Wabco	EN Air Spring DE FR ES PT RU AR	05.429.41.25.0 Bergische Achsen FT 554941





AIR SUSPENSION

Air Spring

Frenotruck Nr.	O.E.M. Nr.	Bergische Achsen	Dimension	Application	
FT 554941-K	05.429.43.25.0		EN Air Spring	34941 K Airtech	
					DE
					FR
					ES
					PT
					RU
AR					

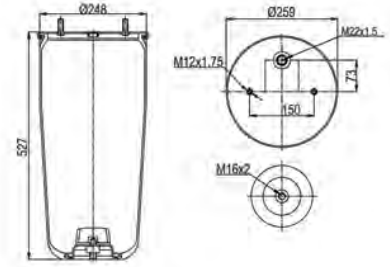
Frenotruck Nr.	O.E.M. Nr.	Bergische Achsen	Dimension	Application	
FT 554960	05.429.41.77.0		EN Air Spring	4960 N P02 Contitech 1DK21K-3 Phoenix 34960 P Airtech 1R11-801 Goodyear 951 811 801 0 Wabco	
					DE
					FR
					ES
					PT
					RU
AR					

Frenotruck Nr.	O.E.M. Nr.	Bergische Achsen	Dimension	Application	
FT 554960-K	-		EN Air Spring	34960 K Airtech	
					DE
					FR
					ES
					PT
					RU
AR					

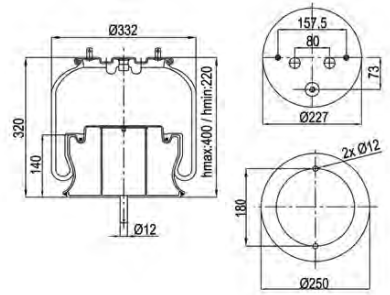
AIR SUSPENSION

Air Spring

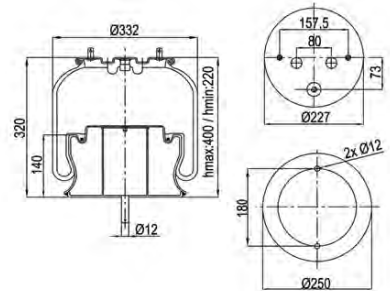
Application	Dimension	O.E.M. Nr.	Frenotruck Nr.
4961 N P02 1R11-800 34961 P	Contitech Goodyear Airtech	05.429.42.04.0 Bergische Achsen	FT 554961
	<p>EN Air Spring</p> <p>DE</p> <p>FR</p> <p>ES</p> <p>PT</p> <p>RU</p> <p>AR</p>		



Application	Dimension	O.E.M. Nr.	Frenotruck Nr.
34961 K	Airtech	-	FT 554961-K
	<p>EN Air Spring</p> <p>DE</p> <p>FR</p> <p>ES</p> <p>PT</p> <p>RU</p> <p>AR</p>		



Application	Dimension	O.E.M. Nr.	Frenotruck Nr.
1R13-744 36199 K MLF7146	Goodyear Airtech Meritor	1386199 Scania	FT 556199-K
	<p>EN Air Spring</p> <p>DE</p> <p>FR</p> <p>ES</p> <p>PT</p> <p>RU</p> <p>AR</p>		





AIR SUSPENSION

Air Spring

Frenotruck Nr.	O.E.M. Nr.	Dimension	Application
FT 556200-K	1386200 Scania	<p>EN Air Spring</p> <p>DE</p> <p>FR</p> <p>ES</p> <p>PT</p> <p>RU</p> <p>AR</p>	<p>1R13-745 Goodyear</p> <p>36200 K Airtech</p>

Frenotruck Nr.	O.E.M. Nr.	Dimension	Application
FT 556416	-	<p>EN Air Spring</p> <p>DE</p> <p>FR</p> <p>ES</p> <p>PT</p> <p>RU</p> <p>AR</p>	<p>36416 P Airtech</p>

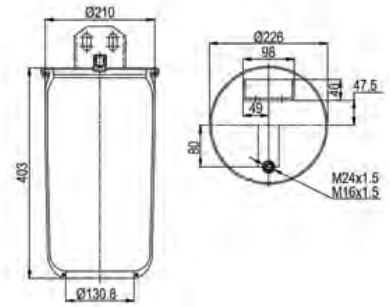
Frenotruck Nr.	O.E.M. Nr.	Dimension	Application
FT 556416-K	<p>20582215 Volvo</p> <p>20374510 Volvo</p> <p>20456152 Volvo</p> <p>20531985 Volvo</p>	<p>EN Air Spring</p> <p>DE</p> <p>FR</p> <p>ES</p> <p>PT</p> <p>RU</p> <p>AR</p>	<p>6608 N P01 Contitech</p> <p>1DF17B-1 Phoenix</p> <p>1R10-704 Goodyear</p> <p>36416 K Airtech</p> <p>951 700 001 0 Wabco</p> <p>MLF7151 Meritor</p>

AIR SUSPENSION

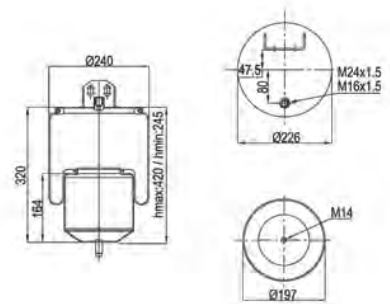
Air Spring



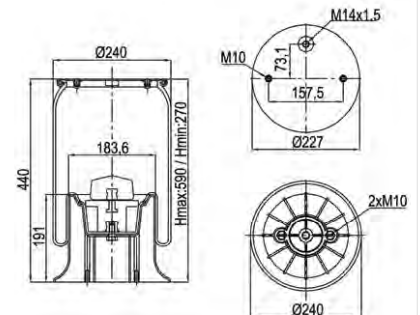
Application	Dimension	O.E.M. Nr.	Frenotruck Nr.
36418 P	Airtech	EN Air Spring	-
	DE		
	FR		
	ES		
	PT		
	RU		
	AR		
			FT 556418



Application	Dimension	O.E.M. Nr.	Frenotruck Nr.
6607 N P01	Contitech	EN Air Spring	20582214 Volvo
1DF17A-1	Phoenix	DE	20374511 Volvo
36418 K	Airtech	FR	20456156 Volvo
951 700 007 0	Wabco	ES	20531987 Volvo
MLF7170	Meritor	PT	
	RU		
	AR		
			FT 556418-K



Application	Dimension	O.E.M. Nr.	Frenotruck Nr.
W01M587315	Firestone	EN Air Spring	1314904 Scania
1T15S-11	Firestone	DE	
37315 K	Airtech	FR	
MLF7033	Meritor	ES	
	PT		
	RU		
	AR		
			FT 557315-KP





AIR SUSPENSION

Air Spring

Frenotruck Nr.	O.E.M. Nr.	Dimension	Application
FT 557783-K	20554772 Volvo 3987782 Volvo	(EN) Air Spring	-
		(DE)	
		(FR)	
		(ES)	
		(PT)	
		(RU)	
		(AR)	

Frenotruck Nr.	O.E.M. Nr.	Dimension	Application
FT 557803	-	(EN) Air Spring	37803 P Airtech
		(DE)	
		(FR)	
		(ES)	
		(PT)	
		(RU)	
		(AR)	

Frenotruck Nr.	O.E.M. Nr.	Dimension	Application
FT 557803-K	20582206 Volvo 20427800 Volvo 20456150 Volvo 20531984 Volvo	(EN) Air Spring	6605 N P01 Contitech 1DF20D-1 Phoenix 37803 K Airtech 951 700 008 0 Wabco
		(DE)	
		(FR)	
		(ES)	
		(PT)	
		(RU)	
		(AR)	

AIR SUSPENSION

Air Spring

Application	Dimension	O.E.M. Nr.	Frenotruck Nr.
6606 N P01	Contitech	EN Air Spring	FT 557804-K
1DF20E-1	Phoenix	20582209 Volvo	
37804 K	Airtech	20531986 Volvo	
MLF7181	Meritor	20456154 Volvo	
		20427801 Volvo	
		3171694 Volvo	
	ES		
	PT		
	RU		
	AR		

Application	Dimension	O.E.M. Nr.	Frenotruck Nr.
W01M586251	Firestone	EN Air Spring	FT 5596251-KP
1T15AA3	Firestone	1314903 Scania	
36251 K	Airtech	1402423 Scania	
	DE		
	FR		
	ES		
	PT		
	RU		
	AR		

Application	Dimension	O.E.M. Nr.	Frenotruck Nr.
FD 200-19 1/4 M10	Contitech	EN Air Spring	FT 55220
SP 2 B 12 R	Phoenix	212 21 395 Ror	
2B9-223	Goodyear	212 22 663 Ror	
W01M586887	Firestone		
113001	Airkraft		
	FR		
	ES		
	PT		
	RU		
	AR		



AIR SUSPENSION

Air Spring

Frenotruck Nr.	O.E.M. Nr.	Dimension	Application
FT 55220-01	-	<ul style="list-style-type: none"> EN Air Spring DE FR ES PT RU AR 	113003 Aircraft
FT 55220-03	-	<ul style="list-style-type: none"> EN Air Spring DE FR ES PT RU AR 	SP 2 B 12 R-12 Phoenix 113015 Aircraft
FT 55220-05	-	<ul style="list-style-type: none"> EN Air Spring DE FR ES PT RU AR 	113021 Aircraft

AIR SUSPENSION

Air Spring



Application		Dimension	O.E.M. Nr.		Frenotruck Nr.
FD 200-19 P04	Contitech	EN Air Spring	4 229 1004 00	Sauer Achsen	FT 55220-08
SP2B12R-5	Phoenix		1319761	Scania	
113002	Airkraft	DE	1387289	Scania	
W01M587894	Firestone				
2B9-287	Goodyear	FR			
S09208	Dunlop	ES			
		PT			
		RU			
		AR			

Application		Dimension	O.E.M. Nr.		Frenotruck Nr.
113018	Airkraft	EN Air Spring	1387283	Scania	FT 55220-09
		DE			
		FR			
		ES			
		PT			
		RU			
		AR			

Application		Dimension	O.E.M. Nr.		Frenotruck Nr.
W01M586875	Firestone	EN Air Spring	212 26 068	Ror	FT 55300-02
113342	Airkraft	DE			
		FR			
		ES			
		PT			
		RU			
		AR			



AIR SUSPENSION

Air Spring

Frenotruck Nr.	O.E.M. Nr.	Dimension	Application
FT 55300-04	-	EN Air Spring	113307 Aircraft
		DE	
		FR	
		ES	
		PT	
		RU	
		AR	

Frenotruck Nr.	O.E.M. Nr.	Dimension	Application
FT 55300-03	81.43601.0022 Man 02.2002.19.00 Bergische Achsen 2 229 1001 00 Sauer Achsen	EN Air Spring	FD 330-22 (M8) Contitech 113306 Aircraft
		DE	
		FR	
		ES	
		PT	
		RU	
		AR	

Frenotruck Nr.	O.E.M. Nr.	Dimension	Application
FT 55300-05	-	EN Air Spring	FD 330-23 Contitech 2B22R Phoenix 2B12-425 Goodyear W013586381 Firestone 113308 Aircraft
		DE	
		FR	
		ES	
		PT	
		RU	
		AR	

AIR SUSPENSION

Air Spring

Application	Dimension	O.E.M. Nr.	Frenotruck Nr.
W01M586200 113309	Firestone Airkraft	-	FT 55300-06
	<p>EN Air Spring</p> <p>DE</p> <p>FR</p> <p>ES</p> <p>PT</p> <p>RU</p> <p>AR</p>		

Application	Dimension	O.E.M. Nr.	Frenotruck Nr.
113310	Airkraft	-	FT 55300-07
	<p>EN Air Spring</p> <p>DE</p> <p>FR</p> <p>ES</p> <p>PT</p> <p>RU</p> <p>AR</p>		

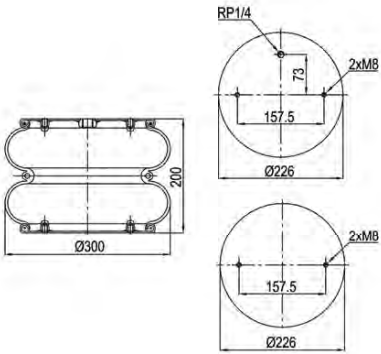
Application	Dimension	O.E.M. Nr.	Frenotruck Nr.
113312	Airkraft	3 229 1001 00	FT 55300-08
	<p>EN Air Spring</p> <p>DE</p> <p>FR</p> <p>ES</p> <p>PT</p> <p>RU</p> <p>AR</p>	Sauer Achsen	



AIR SUSPENSION

Air Spring

Frenotruck Nr.	O.E.M. Nr.	Dimension	Application
FT 55300-09	-	<input checked="" type="radio"/> EN Air Spring <input type="radio"/> DE <input type="radio"/> FR <input type="radio"/> ES <input type="radio"/> PT <input type="radio"/> RU <input type="radio"/> AR	113313 Aircraft



Frenotruck Nr.	O.E.M. Nr.	Dimension	Application
FT 55300-10	-	<input checked="" type="radio"/> EN Air Spring <input type="radio"/> DE <input type="radio"/> FR <input type="radio"/> ES <input type="radio"/> PT <input type="radio"/> RU <input type="radio"/> AR	SP 2B22-Ra-2 Phoenix 113320 Aircraft

